



# DATA SHEET

## DC-FAN Size 120x120x25mm

### Serie: K11036

|                                     |
|-------------------------------------|
| <b>DC-FAN Size<br/>120x120x25mm</b> |
| Serie No.: <b>K11036</b>            |
| Customer:                           |

|       |        |      |        |        |        |           |           |      |            |
|-------|--------|------|--------|--------|--------|-----------|-----------|------|------------|
| DRW:  | Jason  | CHKD | Wilson | MATL:  | Wilson | TOLERANCE | Mason     | DATE | 16.12.2011 |
| APPD: | Schumi |      |        | FINISH | Jamy   |           | Sheet No. |      | 1 from 5   |

# EDCON-COMPONENTS



## Specifications

Frame: Thermal Plastic UL 94V-0  
 Impeller: Thermal Plastic UL 94V-0  
 Lead Wire Type: UL Type  
 Color of Lead Wire:  
 Red (+)  
 Black (-)

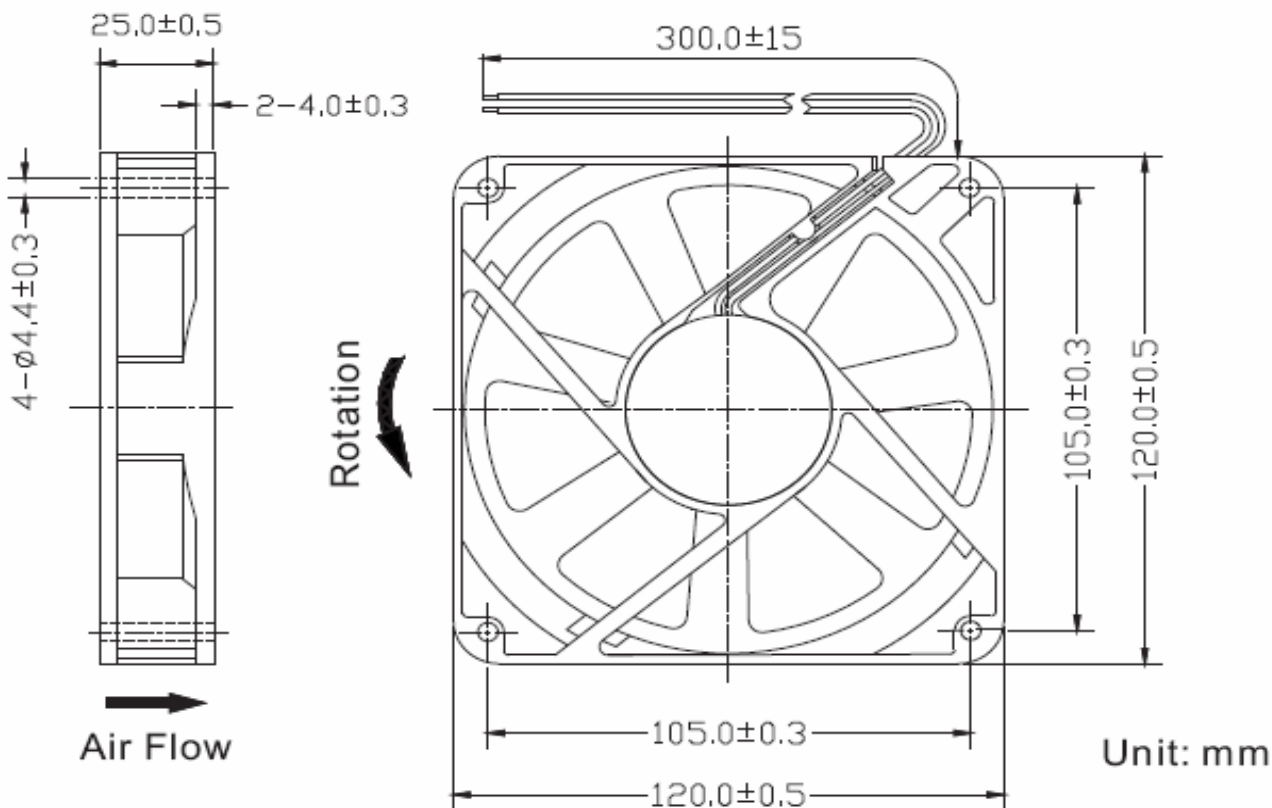
Operating Temperature: -10°C ~ +70°C  
 Relative Humidity: 35% ~ 85% RH  
 Storage Temperature: -40°C ~ +80°C  
 Relative Humidity: 35% ~ 85% RH

Motor Protection: Impedance Protected  
 Reverse Polarity Protected

| Model Type | Bearing Systems | Available Features   |                          |                    |                    |                 |                       |                    |                   |                   |                 |                        | Weight (gr) |     |
|------------|-----------------|----------------------|--------------------------|--------------------|--------------------|-----------------|-----------------------|--------------------|-------------------|-------------------|-----------------|------------------------|-------------|-----|
|            |                 | Rated Voltage<br>VDC | Operating Voltage<br>VDC | Rated Current<br>A | Rated Speed<br>RPM | Air Flow<br>CFM | Air Pressure<br>mmH2O | Noise Level<br>dBA | Tachometer Output | Rotation Detector | Thermal Control | Pulse Width Modulation |             |     |
| 04         | Ball            | 12                   | 6,0~13,8                 | 0,40               | 2400               | 87,7            | 4,1                   | 41                 | X                 | X                 | X               | X                      |             | 164 |

|                     |               |
|---------------------|---------------|
| <b>DC-FAN Size</b>  |               |
| <b>120x120x25mm</b> |               |
| Part No.:           | <b>K11036</b> |
| Customer:           |               |

|       |        |      |        |        |        |           |           |          |            |
|-------|--------|------|--------|--------|--------|-----------|-----------|----------|------------|
| DRW:  | Jason  | CHKD | Wilson | MATL:  | Wilson | TOLERANCE | Mason     | DATE     | 16.12.2011 |
| APPD: | Schumi |      |        | FINISH | Jamy   |           | Sheet No. | 2 from 5 |            |

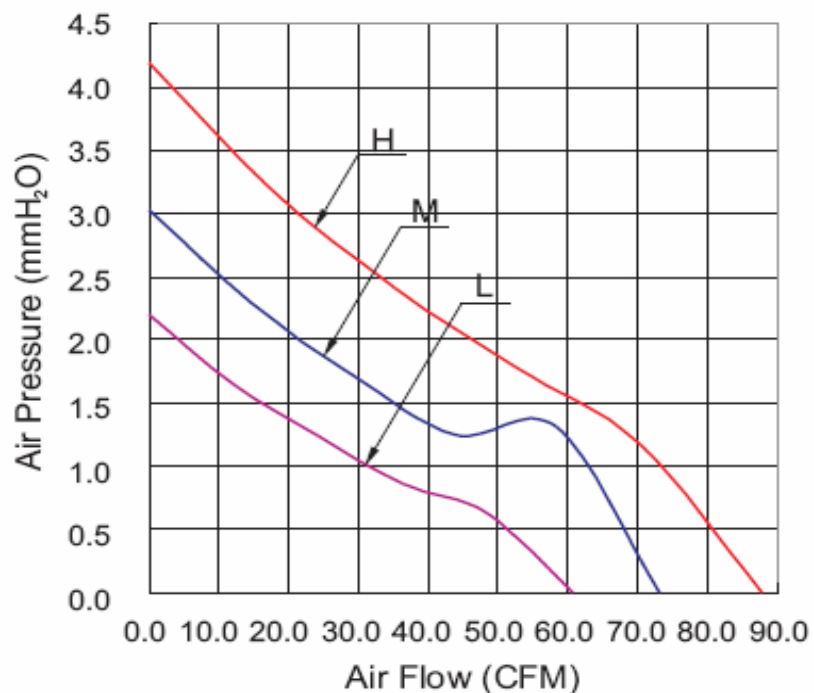


|                     |               |
|---------------------|---------------|
| <b>DC-FAN Size</b>  |               |
| <b>120x120x25mm</b> |               |
| Part No.:           | <b>K11036</b> |
| Customer:           |               |

|       |        |      |        |        |        |           |           |          |            |
|-------|--------|------|--------|--------|--------|-----------|-----------|----------|------------|
| DRW:  | Jason  | CHKD | Wilson | MATL:  | Wilson | TOLERANCE | Mason     | DATE     | 16.12.2011 |
| APPD: | Schumi |      |        | FINISH | Jamy   |           | Sheet No. | 3 from 5 |            |



**Performance Curves**



Type H = Model 04  
 Type M = Model 05  
 Type L = Model 06

|                     |               |
|---------------------|---------------|
| <b>DC-FAN Size</b>  |               |
| <b>120x120x25mm</b> |               |
| Part No.:           | <b>K11036</b> |
| Customer:           |               |

|       |        |      |        |        |        |           |           |          |            |
|-------|--------|------|--------|--------|--------|-----------|-----------|----------|------------|
| DRW:  | Jason  | CHKD | Wilson | MATL:  | Wilson | TOLERANCE | Mason     | DATE     | 16.12.2011 |
| APPD: | Schumi |      |        | FINISH | Jamy   |           | Sheet No. | 4 from 5 |            |

# EDCON-COMPONENTS



## Ordering Informations

| Serie + Model.No. | Model Type | Voltage    | Bearing Type | Voltage Type | Impeller | Optional Features | Cable Options | Future Features | ROHS     | Packing Code |
|-------------------|------------|------------|--------------|--------------|----------|-------------------|---------------|-----------------|----------|--------------|
| <b>K11036</b>     | <b>04</b>  | <b>012</b> | <b>B</b>     | <b>2</b>     | <b>A</b> | <b>0</b>          | <b>A300</b>   | <b>X</b>        | <b>R</b> | <b>CA</b>    |

|                    |                     |                   |                             |                                  |   |                       |                        |                           |
|--------------------|---------------------|-------------------|-----------------------------|----------------------------------|---|-----------------------|------------------------|---------------------------|
| <b>012=</b> 12Volt |                     |                   | <b>A=</b> Standard Impeller | <b>0=</b> No features            | <b>A300=</b> Standard Wire length 300mm | <b>X=</b> No Features | <b>R=</b> ROHS Conform | <b>CA=</b> Carton Package |
|                    | <b>B=</b> Ball Type | <b>2=</b> DC Type | <b>X=</b> Special Impeller  | <b>1=</b> Tachometer Output      | <b>Axxx=</b> Wire length xxxmm          |                       |                        |                           |
|                    |                     |                   |                             | <b>2=</b> Rotation Detector      |   |                       |                        |                           |
|                    |                     |                   |                             | <b>3=</b> Thermal Control        |   |                       |                        |                           |
|                    |                     |                   |                             | <b>4=</b> Pulse Width Modulation |   |                       |                        |                           |

|   |
|---|
| <b>DC-FAN Size</b><br><b>120x120x25mm</b> |
| Part No.: <b>K11036</b>                   |
| Customer:                                 |

|       |        |      |        |        |        |           |           |      |            |
|-------|--------|------|--------|--------|--------|-----------|-----------|------|------------|
| DRW:  | Jason  | CHKD | Wilson | MATL:  | Wilson | TOLERANCE | Mason     | DATE | 16.12.2011 |
| APPD: | Schumi |      |        | FINISH | Jamy   |           | Sheet No. |      | 5 from 5   |