



DATA SHEET

DC-FAN Size 45x45x10mm

Serie: K11017

**DC-FAN Size
45x45x10mm**

Serie No.: **K11017**

Customer:

| | | | | | | | | | |
|-------|--------|------|--------|--------|--------|-----------|-----------|------|------------|
| DRW: | Jason | CHKD | Wilson | MATL: | Wilson | TOLERANCE | Mason | DATE | 10.12.2011 |
| APPD: | Schumi | | | FINISH | Jamy | | Sheet No. | | 1 from 5 |

EDCON-COMPONENTS



Specifications

Frame: Thermal Plastic UL 94V-0
 Impeller: Thermal Plastic UL 94V-0
 Lead Wire Type: UL Type
 Color of Lead Wire:
 Red (+)
 Black (-)

Operating Temperature: -10°C ~ +70°C
 Relative Humidity: 35% ~ 85% RH
 Storage Temperature: -40°C ~ +80°C
 Relative Humidity: 35% ~ 85% RH

Motor Protection: Impedance Protected
 Reverse Polarity Protected

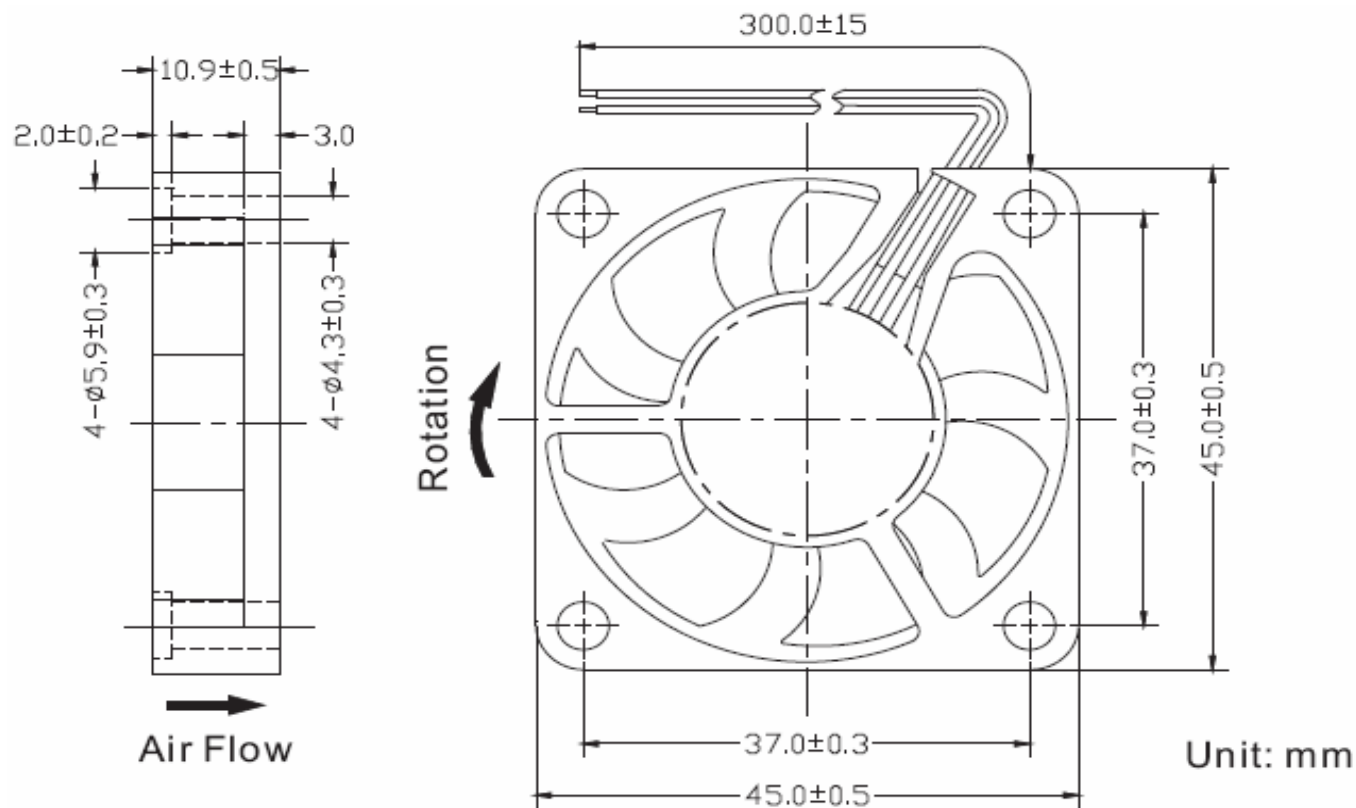
| Model Type | Bearing Systems | Available Features | | | | | | | | | | | Weight (gr) | |
|------------|-----------------|----------------------|--------------------------|--------------------|--------------------|-----------------|-----------------------|--------------------|-------------------|-------------------|-----------------|------------------------|-------------|----|
| | | Rated Voltage VDC | Operating Voltage VDC | Rated Current A | Rated Speed RPM | Air Flow CFM | Air Pressure mmH2O | Noise Level dBA | Tachometer Output | Rotation Detector | Thermal Control | Pulse Width Modulation | | |
| 03 | Ball | 5 | 3,5~5,75 | 0,13 | 4000 | 5,4 | 1,6 | 25 | X | X | | | | 15 |

**DC-FAN Size
45x45x10mm**

Part No.: **K11017**

| | | | | | | | | | | |
|-------|--------|------|--------|--------|--------|-----------|-----------|----------|------------|-----------|
| DRW: | Jason | CHKD | Wilson | MATL: | Wilson | TOLERANCE | Mason | DATE | 10.12.2011 | Customer: |
| APPD: | Schumi | | | FINISH | Jamy | | Sheet No. | 2 from 5 | | |

EDCON-COMPONENTS

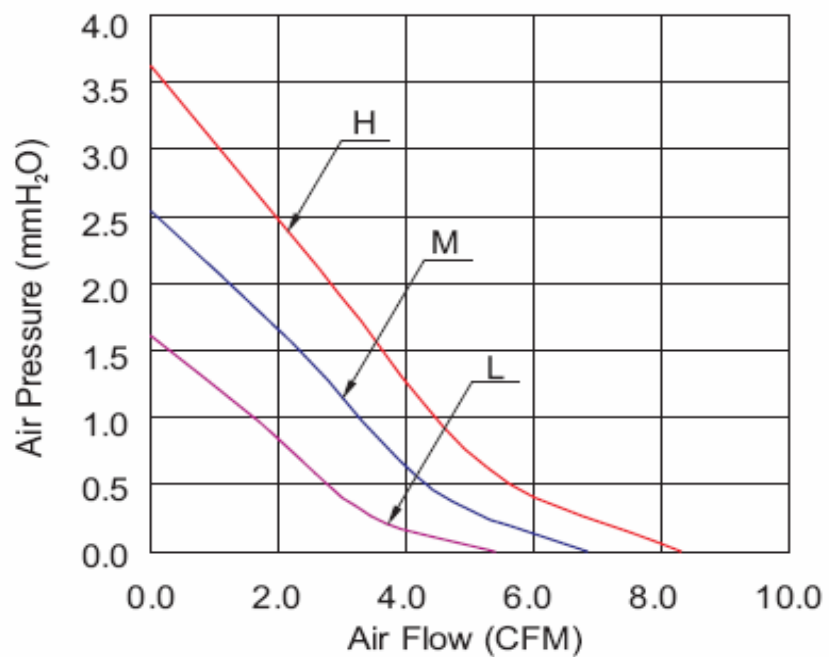


| | |
|--------------------|---------------|
| DC-FAN Size | |
| 45x45x10mm | |
| Part No.: | K11017 |
| Customer: | |

| | | | | | | | | | |
|-------|--------|------|--------|--------|--------|-----------|-----------|----------|------------|
| DRW: | Jason | CHKD | Wilson | MATL: | Wilson | TOLERANCE | Mason | DATE | 10.12.2011 |
| APPD: | Schumi | | | FINISH | Jamy | | Sheet No. | 3 from 5 | |



Performance Curves



Type H = Model 01
 Type M = Model 02
 Type L = Model 03

| | |
|-----------------------------------|---------------|
| DC-FAN Size 45x45x10mm | |
| Part No.: | K11017 |
| Customer: | |

| | | | | | | | | | |
|-------|--------|------|--------|--------|--------|-----------|-----------|----------|------------|
| DRW: | Jason | CHKD | Wilson | MATL: | Wilson | TOLERANCE | Mason | DATE | 10.12.2011 |
| APPD: | Schumi | | | FINISH | Jamy | | Sheet No. | 4 from 5 | |

EDCON-COMPONENTS



Ordering Informations

| Serie + Model.No. | Model Type | Voltage | Bearing Type | Voltage Type | Impeller | Optional Features | Cable Options | Future Features | ROHS | Packing Code |
|-------------------|------------|------------|--------------|--------------|----------|-------------------|---------------|-----------------|----------|--------------|
| K11017 | 03 | 005 | B | 2 | A | 0 | A300 | X | R | CA |

| | | | | | | | | |
|-------------------|---------------------|-------------------|-----------------------------|-----------------------------|---|-----------------------|------------------------|---------------------------|
| 005= 5Volt | | | A= Standard Impeller | 0= No features | A300= Standard Wire length 300mm | X= No Features | R= ROHS Conform | CA= Carton Package |
| | B= Ball Type | 2= DC Type | X= Special Impeller | 1= Tachometer Output | Axxx= Standard Wire length xxxmm | | | |
| | | | | 2= Rotation Detector | | | | |
| | | | | | | | | |
| | | | | | | | | |

| |
|---|
| DC-FAN Size 45x45x10mm |
| Part No.: K11017 |
| Customer: |

| | | | | | | | | | |
|-------|--------|------|--------|--------|--------|-----------|-----------|------|------------|
| DRW: | Jason | CHKD | Wilson | MATL: | Wilson | TOLERANCE | Mason | DATE | 10.12.2011 |
| APPD: | Schumi | | | FINISH | Jamy | | Sheet No. | | 5 from 5 |