



# DATA SHEET

## DC-FAN Size 40x40x20mm

### Serie: K11014

|                                   |               |
|-----------------------------------|---------------|
| <b>DC-FAN Size<br/>40x40x20mm</b> |               |
| Serie No.:                        | <b>K11014</b> |
| Customer:                         |               |

|       |        |      |        |        |        |           |           |      |            |
|-------|--------|------|--------|--------|--------|-----------|-----------|------|------------|
| DRW:  | Jason  | CHKD | Wilson | MATL:  | Wilson | TOLERANCE | Mason     | DATE | 07.12.2011 |
| APPD: | Schumi |      |        | FINISH | Jamy   |           | Sheet No. |      | 1 from 5   |

# EDCON-COMPONENTS



## Specifications

Frame: Thermal Plastic UL 94V-0  
 Impeller: Thermal Plastic UL 94V-0  
 Lead Wire Type: UL Type  
 Color of Lead Wire:  
 Red (+)  
 Black (-)

Operating Temperature: -10°C ~ +70°C  
 Relative Humidity: 35% ~ 85% RH  
 Storage Temperature: -40°C ~ +80°C  
 Relative Humidity: 35% ~ 85% RH

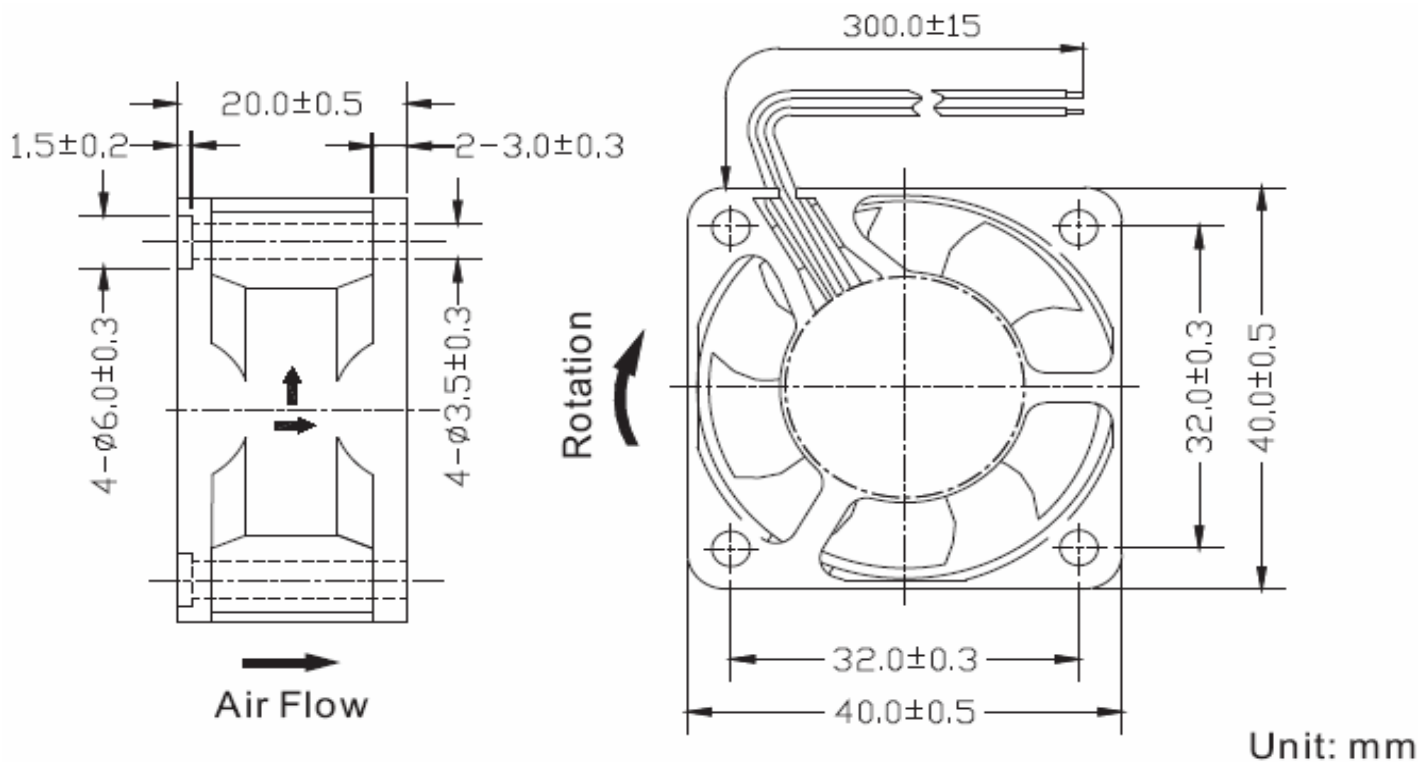
Motor Protection: Impedance Protected  
 Reverse Polarity Protected

| Model Type | Bearing Systems | Available Features   |                          |                    |                    |                 |                       |                    |                   |                   |                 |                        | Weight (gr) |    |
|------------|-----------------|----------------------|--------------------------|--------------------|--------------------|-----------------|-----------------------|--------------------|-------------------|-------------------|-----------------|------------------------|-------------|----|
|            |                 | Rated Voltage<br>VDC | Operating Voltage<br>VDC | Rated Current<br>A | Rated Speed<br>RPM | Air Flow<br>CFM | Air Pressure<br>mmH2O | Noise Level<br>dBA | Tachometer Output | Rotation Detector | Thermal Control | Pulse Width Modulation |             |    |
| 07         | Ball            | 24                   | 12,0~27,6                | 0,06               | 6200               | 6,4             | 4,1                   | 26                 | X                 | X                 |                 |                        |             | 29 |

|                    |               |
|--------------------|---------------|
| <b>DC-FAN Size</b> |               |
| <b>40x40x20mm</b>  |               |
| Part No.:          | <b>K11014</b> |
| Customer:          |               |

|       |        |      |        |        |        |           |           |          |            |
|-------|--------|------|--------|--------|--------|-----------|-----------|----------|------------|
| DRW:  | Jason  | CHKD | Wilson | MATL:  | Wilson | TOLERANCE | Mason     | DATE     | 07.12.2011 |
| APPD: | Schumi |      |        | FINISH | Jamy   |           | Sheet No. | 2 from 5 |            |

# EDCON-COMPONENTS

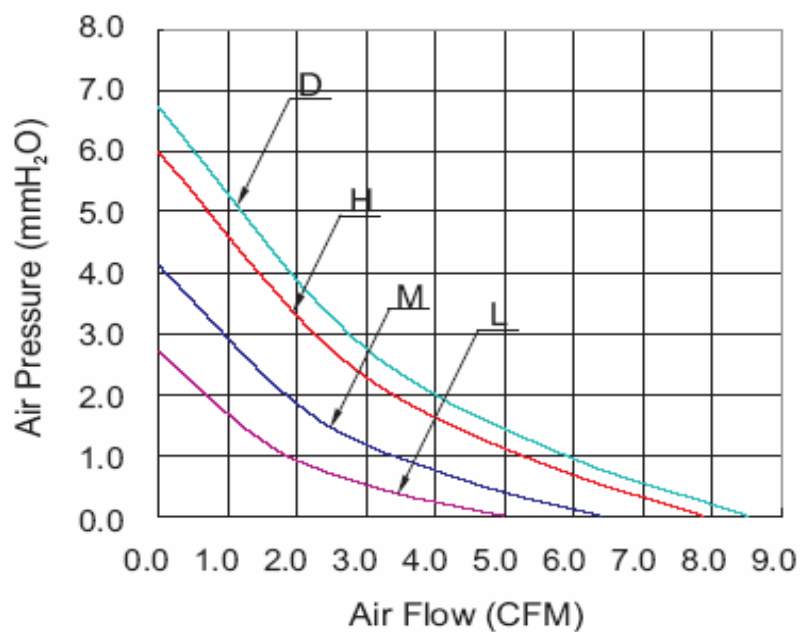


|                    |               |
|--------------------|---------------|
| <b>DC-FAN Size</b> |               |
| <b>40x40x20mm</b>  |               |
| Part No.:          | <b>K11014</b> |
| Customer:          |               |

|       |        |      |        |        |        |           |           |          |            |
|-------|--------|------|--------|--------|--------|-----------|-----------|----------|------------|
| DRW:  | Jason  | CHKD | Wilson | MATL:  | Wilson | TOLERANCE | Mason     | DATE     | 07.12.2011 |
| APPD: | Schumi |      |        | FINISH | Jamy   |           | Sheet No. | 3 from 5 |            |



**Performance Curves**



Type H = Model 01  
 Type M = Model 02  
 Type L = Model 03  
 Type D = Model 04

|                    |               |
|--------------------|---------------|
| <b>DC-FAN Size</b> |               |
| <b>40x40x20mm</b>  |               |
| Part No.:          | <b>K11014</b> |
| Customer:          |               |

|       |        |      |        |        |        |           |           |          |            |
|-------|--------|------|--------|--------|--------|-----------|-----------|----------|------------|
| DRW:  | Jason  | CHKD | Wilson | MATL:  | Wilson | TOLERANCE | Mason     | DATE     | 07.12.2011 |
| APPD: | Schumi |      |        | FINISH | Jamy   |           | Sheet No. | 4 from 5 |            |

# EDCON-COMPONENTS



## Ordering Informations

| Serie + Model.No. | Model Type | Voltage    | Bearing Type | Voltage Type | Impeller | Optional Features | Cable Options | Future Features | ROHS     | Packing Code |
|-------------------|------------|------------|--------------|--------------|----------|-------------------|---------------|-----------------|----------|--------------|
| <b>K11014</b>     | <b>07</b>  | <b>024</b> | <b>B</b>     | <b>2</b>     | <b>A</b> | <b>0</b>          | <b>A300</b>   | <b>X</b>        | <b>R</b> | <b>CA</b>    |

|                    |                     |                   |                             |                             |   |                       |                        |                           |
|--------------------|---------------------|-------------------|-----------------------------|-----------------------------|---|-----------------------|------------------------|---------------------------|
| <b>024=</b> 24Volt |                     |                   | <b>A=</b> Standard Impeller | <b>0=</b> No features       | <b>A300=</b> Standard Wire length 300mm | <b>X=</b> No Features | <b>R=</b> ROHS Conform | <b>CA=</b> Carton Package |
|                    | <b>B=</b> Ball Type | <b>2=</b> DC Type | <b>X=</b> Special Impeller  | <b>1=</b> Tachometer Output | <b>Axxx=</b> Standard Wire length xxxmm |                       |                        |                           |
|                    |                     |                   |                             | <b>2=</b> Rotation Detector |   |                       |                        |                           |
|                    |                     |                   |                             |                             |   |                       |                        |                           |

|   |
|---|
| <b>DC-FAN Size</b><br><b>40x40x20mm</b> |
| Part No.: <b>K11014</b>                 |
| Customer:                               |

|       |        |      |        |        |        |           |           |      |            |
|-------|--------|------|--------|--------|--------|-----------|-----------|------|------------|
| DRW:  | Jason  | CHKD | Wilson | MATL:  | Wilson | TOLERANCE | Mason     | DATE | 07.12.2011 |
| APPD: | Schumi |      |        | FINISH | Jamy   |           | Sheet No. |      | 5 from 5   |