



DATA SHEET

DC-FAN Size 40x40x10mm

Serie: K11012

**DC-FAN Size
40x40x10mm**

Serie No.: **K11012**

Customer:

| | | | | | | | | | |
|-------|--------|------|--------|--------|--------|-----------|-----------|----------|------------|
| DRW: | Jason | CHKD | Wilson | MATL: | Wilson | TOLERANCE | Mason | DATE | 07.12.2011 |
| APPD: | Schumi | | | FINISH | Jamy | | Sheet No. | 1 from 5 | |

EDCON-COMPONENTS



Specifications

Frame: Thermal Plastic UL 94V-0
 Impeller: Thermal Plastic UL 94V-0
 Lead Wire Type: UL Type
 Color of Lead Wire:
 Red (+)
 Black (-)

Operating Temperature: $-10^{\circ}\text{C} \sim +70^{\circ}\text{C}$
 Relative Humidity: 35% ~ 85% RH
 Storage Temperature: $-40^{\circ}\text{C} \sim +80^{\circ}\text{C}$
 Relative Humidity: 35% ~ 85% RH

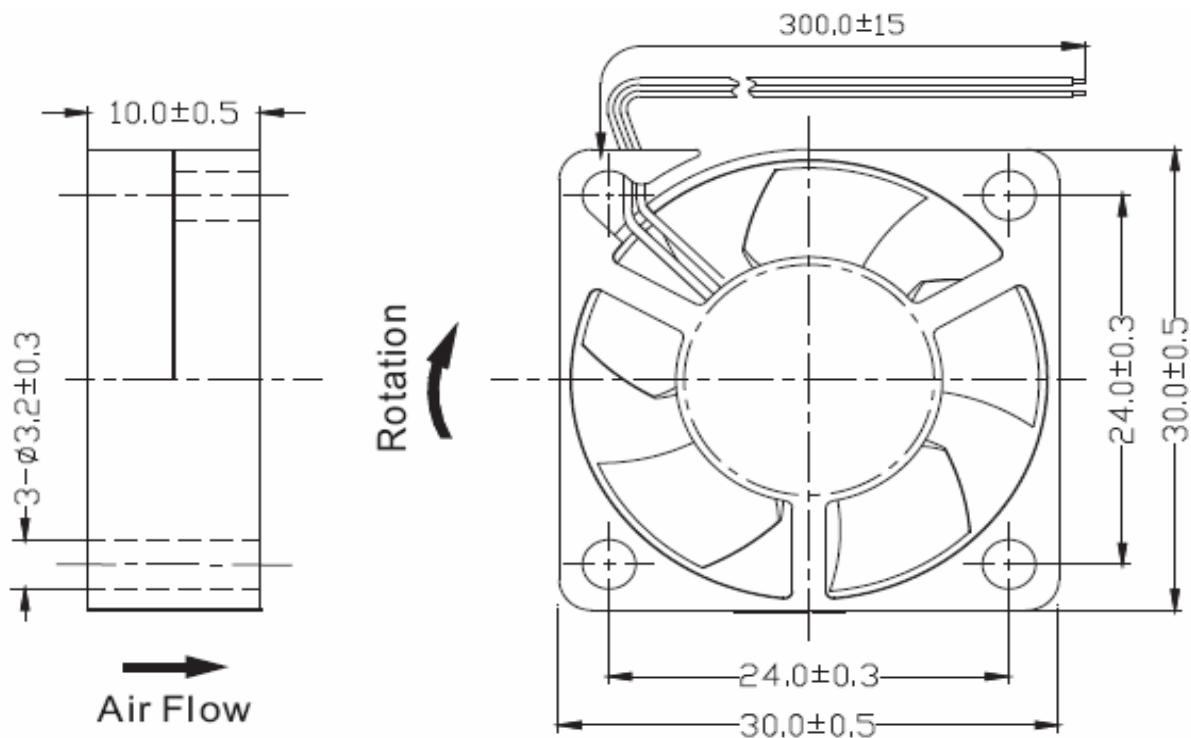
Motor Protection: Impedance Protected
 Reverse Polarity Protected

| Model Type | Bearing Systems | Available Features | | | | | | | | | | | Weight (gr) | |
|------------|-----------------|----------------------|--------------------------|--------------------|--------------------|-----------------|-----------------------|--------------------|-------------------|-------------------|-----------------|------------------------|-------------|----|
| | | Rated Voltage VDC | Operating Voltage VDC | Rated Current A | Rated Speed RPM | Air Flow CFM | Air Pressure mmH2O | Noise Level dBA | Tachometer Output | Rotation Detector | Thermal Control | Pulse Width Modulation | | |
| 01 | Ball | 12 | 6,0~13,8 | 0,09 | 11000 | 5,2 | 5,9 | 32 | X | X | | | | 16 |

| | |
|--------------------|---------------|
| DC-FAN Size | |
| 40x40x10mm | |
| Part No.: | K11012 |
| Customer: | |

| | | | | | | | | | |
|-------|--------|------|--------|--------|--------|-----------|-----------|----------|------------|
| DRW: | Jason | CHKD | Wilson | MATL: | Wilson | TOLERANCE | Mason | DATE | 07.12.2011 |
| APPD: | Schumi | | | FINISH | Jamy | | Sheet No. | 2 from 5 | |

EDCON-COMPONENTS



| | |
|--------------------|---------------|
| DC-FAN Size | |
| 40x40x10mm | |
| Part No.: | K11012 |
| Customer: | |

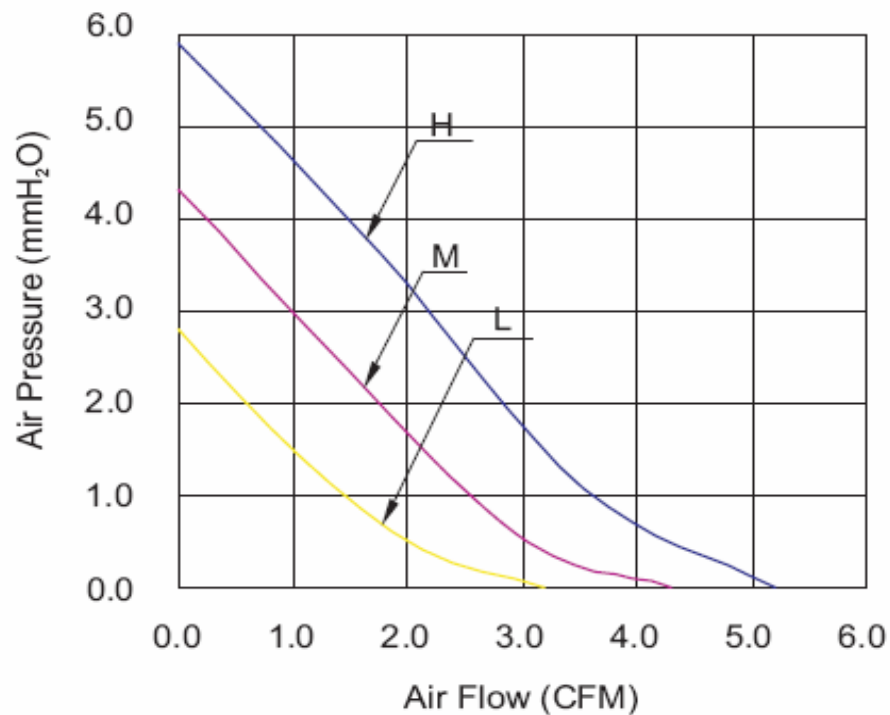
| | | | | | | | | | |
|-------|--------|------|--------|--------|--------|-----------|-----------|----------|------------|
| DRW: | Jason | CHKD | Wilson | MATL: | Wilson | TOLERANCE | Mason | DATE | 07.12.2011 |
| APPD: | Schumi | | | FINISH | Jamy | | Sheet No. | 3 from 5 | |

www.edcon-components.com

email: info@edcon-components.com



Performance Curves



Type H = Model 01
 Type M = Model 02
 Type L = Model 03

| | |
|-----------------------------------|---------------|
| DC-FAN Size 40x40x10mm | |
| Part No.: | K11012 |
| Customer: | |

| | | | | | | | | | |
|-------|--------|------|--------|--------|--------|-----------|-----------|----------|------------|
| DRW: | Jason | CHKD | Wilson | MATL: | Wilson | TOLERANCE | Mason | DATE | 07.12.2011 |
| APPD: | Schumi | | | FINISH | Jamy | | Sheet No. | 4 from 5 | |

EDCON-COMPONENTS



Ordering Informations

| Serie + Model.No. | Model Type | Voltage | Bearing Type | Voltage Type | Impeller | Optional Features | Cable Options | Future Features | ROHS | Packing Code |
|-------------------|------------|------------|--------------|--------------|----------|-------------------|---------------|-----------------|----------|--------------|
| K11012 | 01 | 012 | B | 2 | A | 0 | A300 | X | R | CA |

| | | | | | | | | |
|--------------------|---------------------|-------------------|-----------------------------|-----------------------------|---|-----------------------|------------------------|---------------------------|
| 012= 12Volt | | | A= Standard Impeller | 0= No features | A300= Standard Wire length 300mm | X= No Features | R= ROHS Conform | CA= Carton Package |
| | B= Ball Type | 2= DC Type | X= Special Impeller | 1= Tachometer Output | Axxx= Standard Wire length xxxmm | | | |
| | | | | 2= Rotation Detector | | | | |
| | | | | | | | | |

| |
|---|
| DC-FAN Size 40x40x10mm |
| Part No.: K11012 |
| Customer: |

| | | | | | | | | | |
|-------|--------|------|--------|--------|--------|-----------|-----------|----------|------------|
| DRW: | Jason | CHKD | Wilson | MATL: | Wilson | TOLERANCE | Mason | DATE | 07.12.2011 |
| APPD: | Schumi | | | FINISH | Jamy | | Sheet No. | 5 from 5 | |