



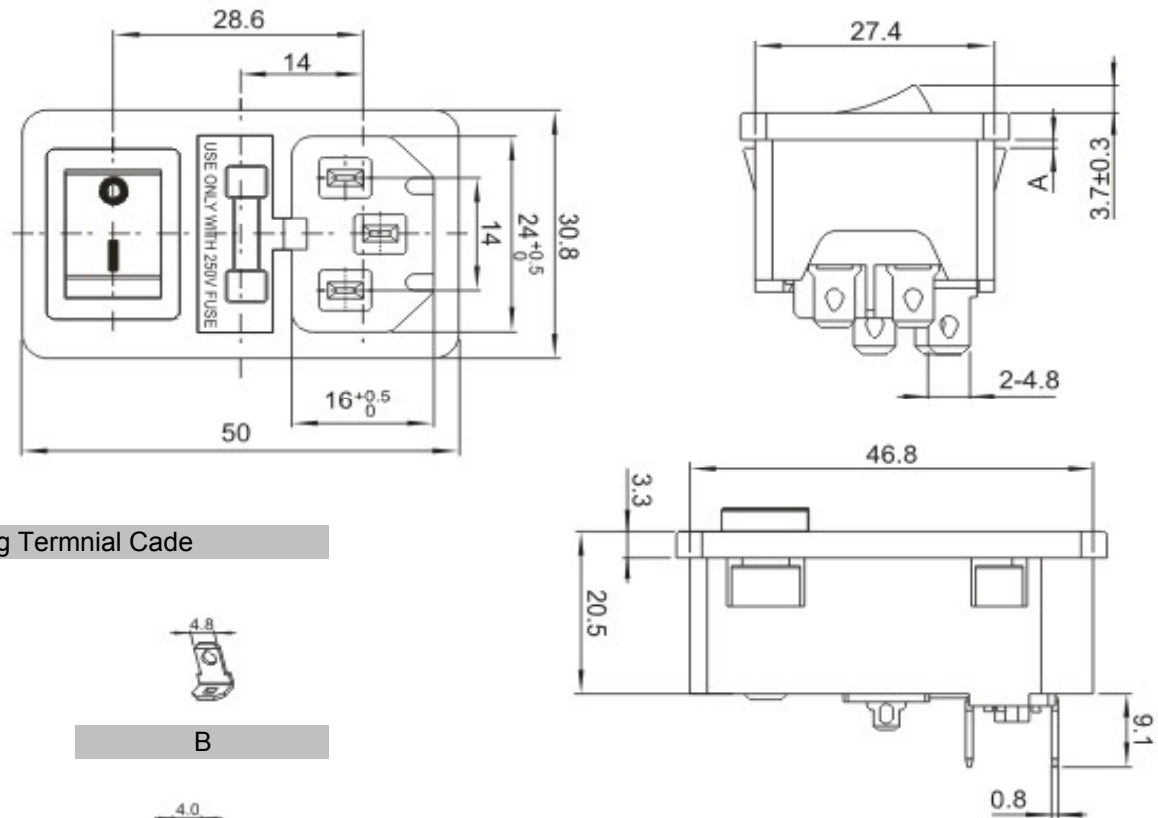
EDCON-COMPONENTS



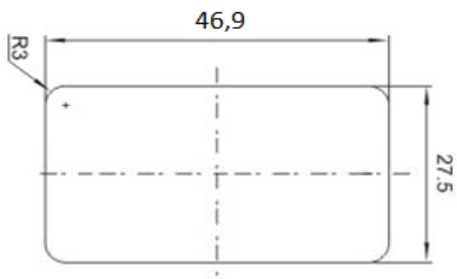
Technical Description

Voltage Rating: 15A/250VAC T105
 Approval: 
 Voltage Rating: 10A / 250VAC
 Approval: 
 Insulation Resistance: 1000MΩ (min) 500VDC
 Dielectric withstand Voltage: 2500VAC 5s between Terminals 50~60Hz
 Dielectric withstand Voltage: 3750VAC between Terminals to Base 50~60Hz
 Insert & Extract Force: 1,36Kg - 6,8Kg
 Leakage Current: 1mA
 Terminal Strength: ≥ 80N
 Operating Life: ≥ 5000 cycles

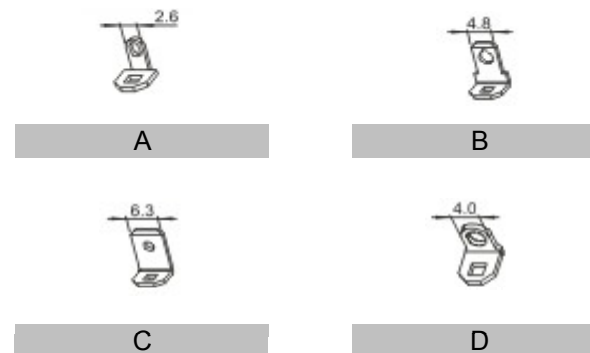
Drawing



Panel Cutout



Connecting Terminal Code



European AC-Power Connector

Part No.: **T11055**

Customer:

DRW:	Jason	CHKD	Wilson	MATL:	Wilson	TOLERANCE	Mason	DATE	15.02.2021
APPD:	Schumi			FINISH	Jamy		Sheet No.		1 from 2

EDCON-COMPONENTS



Ordering Informations

Serie	Body Colour	Panel Thickness A	PCB Layout Type	Connecting Terminal	Colour of Rocker	Special function	ROHS	Packing		
T11055	BK	N	N	N	N	N	R	BU		

BK= Black	N= No function	N= No function	A= Solder Lug Terminal	N= Black	N= No function	R= ROHS Conform	BU= Bulk-Ware
WH= White	A= 0,8mm		B= Flat- Term 4,8mm	R= Red			
RD= Red	B= 1,0mm		C= Flat- Term 6,2mm	G= Green			IV= Individual Package
YE= Yellow	C= 1,5mm		D= Flat- Term 4,0mm				
GN= Green	D= 2,0mm						
BL= Blue							

European AC-Power Connector
Part No.: T11055
Customer:

DRW:	Jason	CHKD	Wilson	MATL:	Wilson	TOLERANCE	Mason	DATE	15.02.2021
APPD:	Schumi			FINISH	Jamy		Sheet No.		2 from 2