

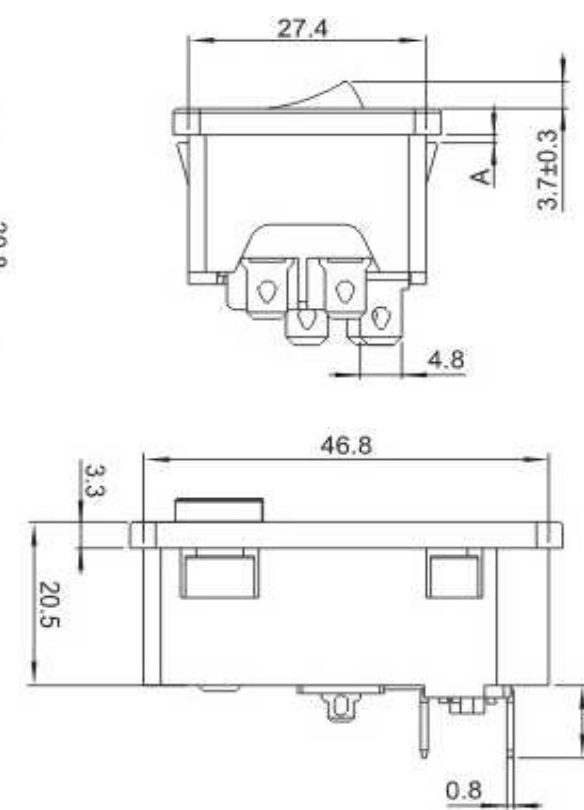
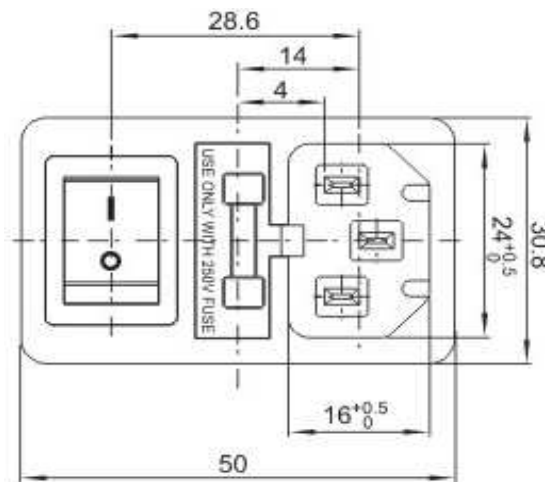
EDCON-COMPONENTS



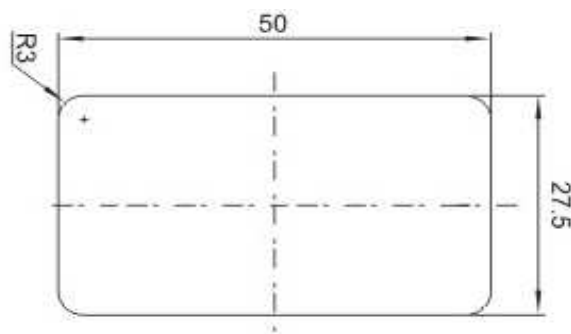
Technical Discription

Voltage Rating:	15A/250VAC T105
Approval	
Voltage Rating:	10A / 250VAC
Approval	
Insulation Resistance:	1000MΩ (min) 500VDC
Dielectric withstand Voltage:	2500VAC 5s between Terminals 50~60Hz
Dielectric withstand Voltage:	3750VAC between Terminals to Base 50~60Hz
Insert & Extract Force:	1,36Kg - 6,8Kgf
Leackage Current:	1mA
Termial Strength:	≥ 80N
Operating Life:	≥ 5000 cycles

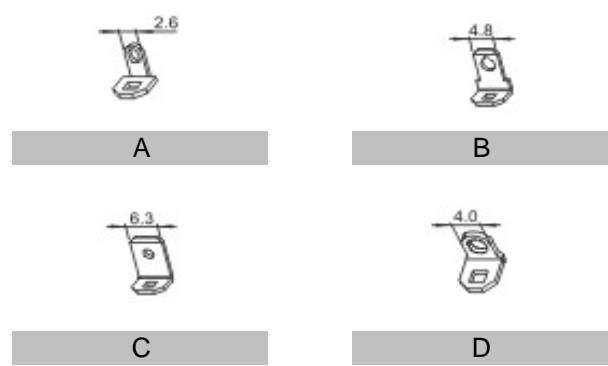
Drawing



Panel Cutout



Connecting Termial Cade



European AC-Power Connector

Part No.: **T11054**

DRW:	Jason	CHKD	Wilson	MATL:	Wilson	TOLERANCE	Mason	DATE	09.08.2016	Customer:
APPD:	Schumi			FINISH	Jamy		Sheet No.	1 from 2		

EDCON-COMPONENTS



Ordering Informations

Serie	Body Colour	Panel Thickness A	PCB Layout Type	Connecting Terminal	Special function	Special function	ROHS	Packing		
-------	-------------	-------------------	-----------------	---------------------	------------------	------------------	------	---------	--	--

T11054	BK	N	A	N	N	N	R	BU		
---------------	-----------	----------	----------	----------	----------	----------	----------	-----------	--	--

BK= Black	N= No function	N= No function	A= Solder Lug Terminal	N= No function	N= No function	R= ROHS Conform	BU= Bulk-Ware
WH= White	A= 0,8mm		B= Flat- Term 4,8mm				
RD= Red	B=1,0mm		C= Flat- Term 6,2mm				IV= Individual Package
YE= Yellow	C= 1,5mm		D= Flat- Term 4,0mm				
GN= Green	D= 2,0mm						
BL= Blue							

European AC-Power Connector	
Part No.:	T11054
Customer:	

DRW:	Jason	CHKD	Wilson	MATL:	Wilson	TOLERANCE	Mason	DATE	09.08.2016
APPD:	Schumi			FINISH	Jamy		Sheet No.	2 from 2	