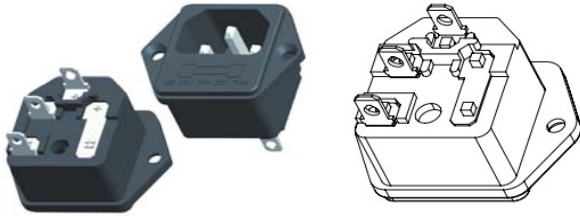


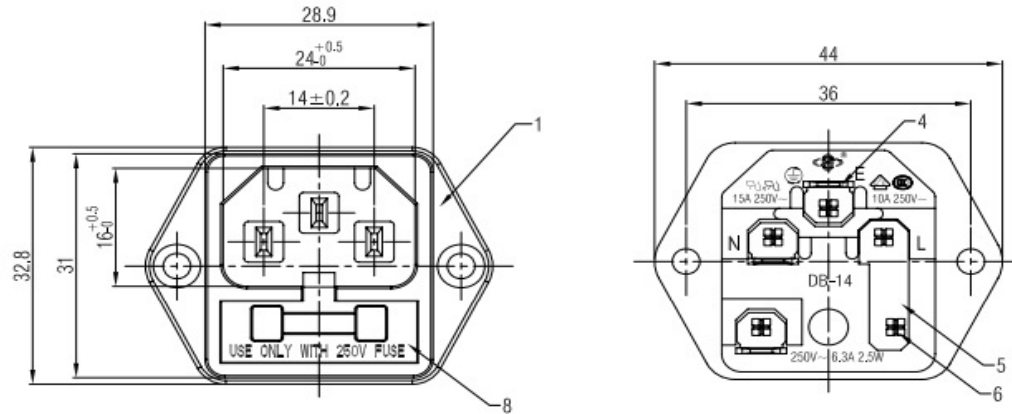
# EDCON-COMPONENTS



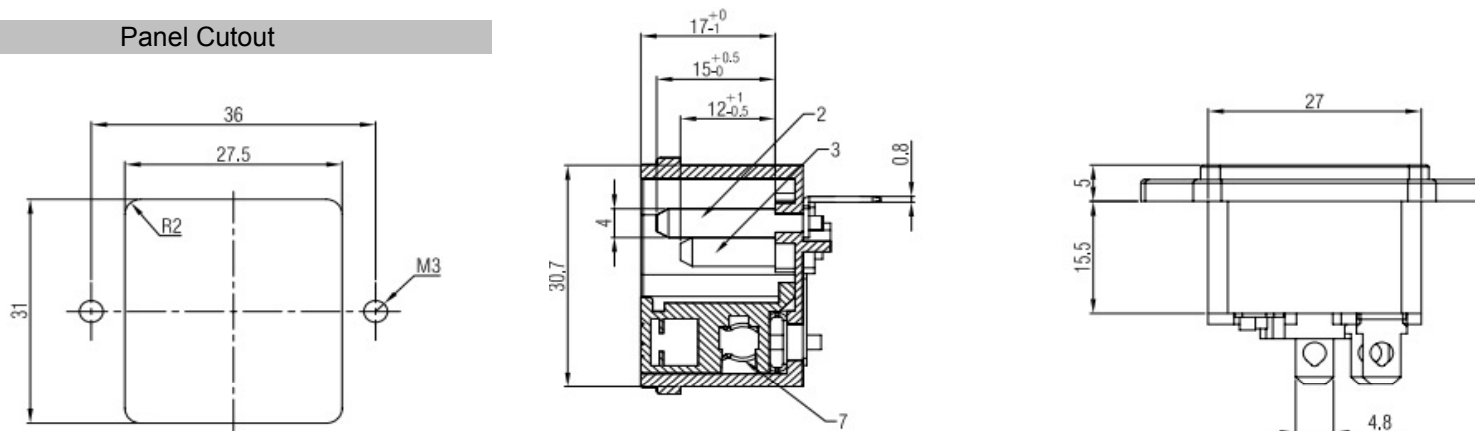
## Technical Discription

Voltage Rating:	15A/250VAC T105
Approval	
Voltage Rating:	10A / 250VAC
Approval	
Insulation Resistance:	1000MΩ (min) 500VDC
Dielectric withstand Voltage:	2500VAC 5s between Terminals 50~60Hz
Dielectric withstand Voltage:	3750VAC between Terminals to Base 50~60Hz
Insert & Extract Force:	1,36Kg - 6,8Kgf
Leakage Current:	1mA
Terminal Strength:	≥ 80N
Operating Life:	≥ 5000 cycles

## Drawing



## Panel Cutout



No.	Part Name	Material
8	Fuse Cover	PA66
7	Fuse Holder	Cu Plated Ni
6	Connect Pin	Cu Plated Ni
5	Connect Part	Cu Plated Ni
4	Terminal	Cu Plated Sn
3	Short Pin	Cu Plated Ni
2	Long Pin	Cu Plated Ni
1	Body	Cu Plated Ni

## European AC-Power Connector

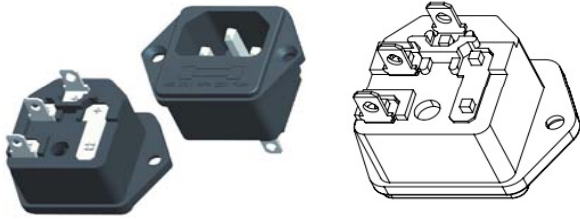
Part No.: **T11052**

DRW:	Jason	CHKD	Wilson	MATL:	Wilson	TOLERANCE	Mason	DATE	14.02.2021
APPD:	Schumi			FINISH	Jamy		Sheet No.		1 from 2

[www.edcon-components.com](http://www.edcon-components.com)

email: [info@edcon-components.com](mailto:info@edcon-components.com)

# EDCON-COMPONENTS



## Ordering Informations

Serie	Body Colour	Panel Thickness A	PCB Layout Type	Connecting Terminal	Special function	Special function	ROHS	Packing		
<b>T11052</b>	<b>BK</b>	<b>N</b>	<b>A</b>	<b>N</b>	<b>N</b>	<b>N</b>	<b>R</b>	<b>BU</b>		

<b>BK</b> = Black (Standard)	<b>N</b> = No function	<b>N</b> = No function	<b>A</b> = Solder Lug Terminal	<b>N</b> = No function	<b>N</b> = No function	<b>R</b> = ROHS Conform	<b>BU</b> = Bulk-Ware
<b>WH</b> = White	<b>A</b> = 0,8mm		<b>B</b> = Flat- Term 4,8mm				<b>IV</b> = Individual Package
<b>RD</b> = Red	<b>B</b> = 1,0mm		<b>C</b> = Flat- Term 6,3mm				
<b>YE</b> = Yellow	<b>C</b> = 1,5mm		<b>D</b> = Flat- Term 4,0mm				
<b>GN</b> = Green	<b>D</b> = 2,0mm						
<b>BL</b> = Blue	<b>E</b> = 2,5mm						
	<b>F</b> = 1,2mm						

### Connecting Terminal Code



A



B



C



D

### European AC-Power Connector

Part No.: **T11052**

Customer:

DRW:	Jason	CHKD	Wilson	MATL:	Wilson	TOLERANCE	Mason	DATE	14.02.2021
APPD:	Schumi			FINISH	Jamy		Sheet No.		2 from 2

[www.edcon-components.com](http://www.edcon-components.com)

email: [info@edcon-components.com](mailto:info@edcon-components.com)