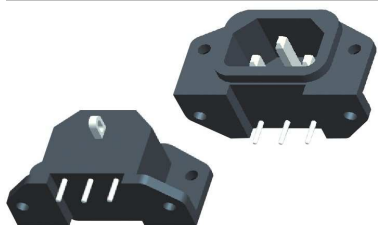


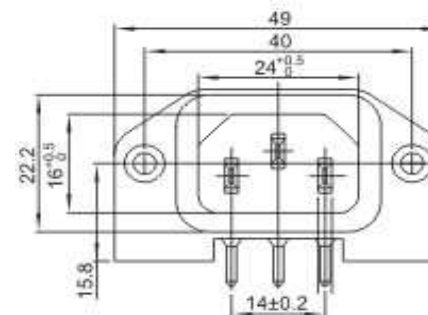
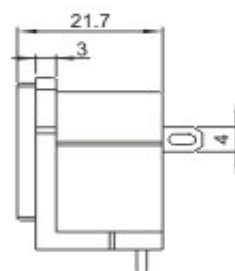
EDCON-COMPONENTS



Technical Discription

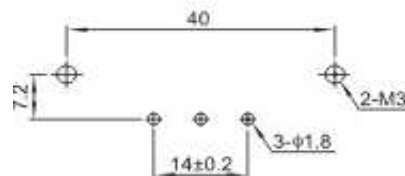
Voltage Rating:	15A/250VAC T105
Approval	
Voltage Rating:	10A / 250VAC
Approval	
Insulation Resistance:	1000MΩ (min) 500VDC
Dielectric withstand Voltage:	2500VAC 5s between Terminals 50~60Hz
Dielectric withstand Voltage:	3750VAC between Terminals to Base 50~60Hz
Insert & Extract Force:	1,36Kg - 6,8Kgf
Leakage Current:	1mA
Termnial Strength:	≥ 80N
Operating Life:	≥ 5000 cycles

Drawing

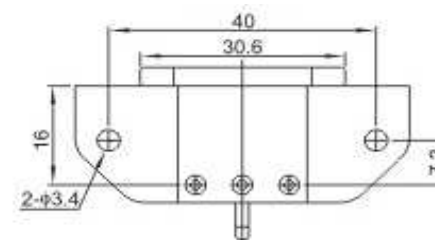


Panel Cutout

PCB Layout



Type A



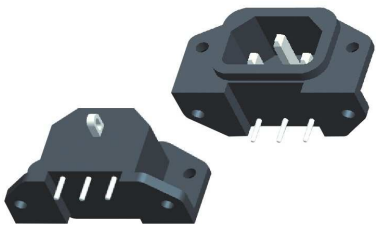
European AC-Power Connector

Part No.: **T11051**

Customer:

DRW:	Jason	CHKD	Wilson	MATL:	Wilson	TOLERANCE	Mason	DATE	09.08.2016
APPD:	Schumi			FINISH	Jamy		Sheet No.	1 from 2	

EDCON-COMPONENTS



Ordering Informations

Serie	Body Colour	Panel Thickness A	PCB Layout Type	Connecting Terminal	Dimension B	Special function	ROHS	Packing		
-------	-------------	-------------------	-----------------	---------------------	-------------	------------------	------	---------	--	--

T11051	BK	N	A	N	N	N	R	BU		
---------------	-----------	----------	----------	----------	----------	----------	----------	-----------	--	--

BK= Black	N= No function	A= 14mm	N= No function	N= No function	N= No function	R= ROHS Conform	BU= Bulk-Ware
WH= White							IV= Individual Package
RD= Red							
YE= Yellow							
GN= Green							
BL= Blue							

European AC-Power Connector

Part No.: **T11051**

DRW:	Jason	CHKD	Wilson	MATL:	Wilson	TOLERANCE	Mason	DATE	09.08.2016
APPD:	Schumi			FINISH	Jamy		Sheet No.		2 from 2

Customer: