

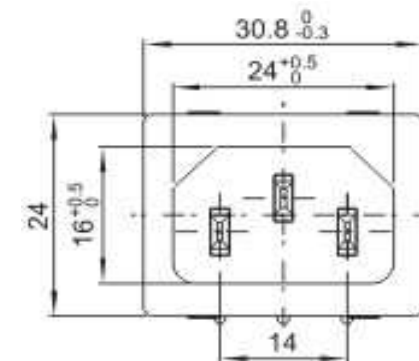
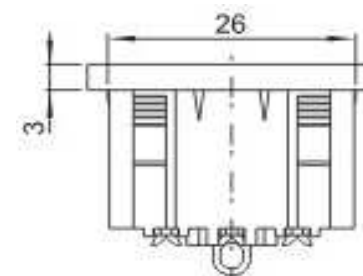
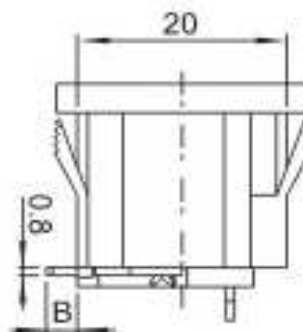
EDCON-COMPONENTS



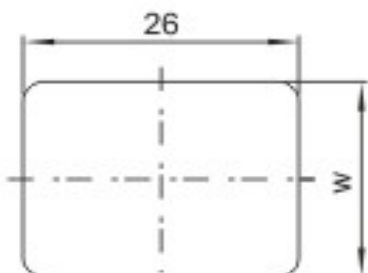
Technical Discription

Voltage Rating:	15A/250VAC T105
Approval	
Voltage Rating:	10A / 250VAC
Approval	
Insulation Resistance:	1000MΩ (min) 500VDC
Dielectric withstand Voltage:	2500VAC 5s between Terminals 50~60Hz
Dielectric withstand Voltage:	3750VAC between Terminals to Base 50~60Hz
Insert & Extract Force:	1,36Kg - 6,8Kgf
Leakage Current:	1mA
Termial Strength:	≥ 80N
Operating Life:	≥ 5000 cycles

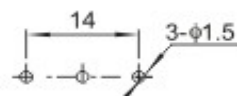
Drawing



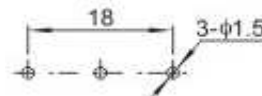
Panel Cutout



PCB Layout



Type A



Type B

European AC-Power Connector

Part No.: **T11042**

DRW:	Jason	CHKD	Wilson	MATL:	Wilson	TOLERANCE	Mason	DATE	04.08.2016
APPD:	Schumi			FINISH	Jamy		Sheet No.		1 from 2

Customer:

EDCON-COMPONENTS



Ordering Informations

Serie	Body Colour	Panel Thickness A	PCB Layout Type	Connecting Terminal	Dimension B	Special function	ROHS	Packing		
-------	-------------	-------------------	-----------------	---------------------	-------------	------------------	------	---------	--	--

T11042	BK	N	A	N	A	N	R	BU		
---------------	-----------	----------	----------	----------	----------	----------	----------	-----------	--	--

BK= Black	N= No function	A= 14mm	N= No function	A= 3,5mm	N= No function	R= ROHS Conform	BU= Bulk-Ware
WH= White	A= 0,6-1,0mm W=19,8mm	B= 18mm		B= 5mm			
RD= Red	B=1,0-1,5mm W=19,9mm			C= 10,5mm			IV= Individual Package
YE= Yellow	C= 1,5-2,0mm W=20,0mm						
GN= Green	D= 1,0-3,0mm W=20,1mm						
BL= Blue							

European AC-Power Connector

Part No.: **T11042**

DRW:	Jason	CHKD	Wilson	MATL:	Wilson	TOLERANCE	Mason	DATE	04.08.2016
APPD:	Schumi			FINISH	Jamy		Sheet No.	2 from 2	Customer:

www.edcon-components.com

email: info@edcon-components.com