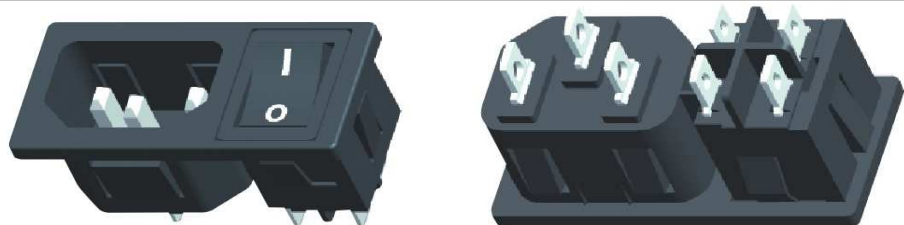


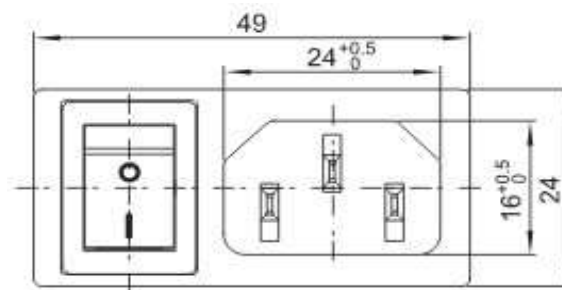
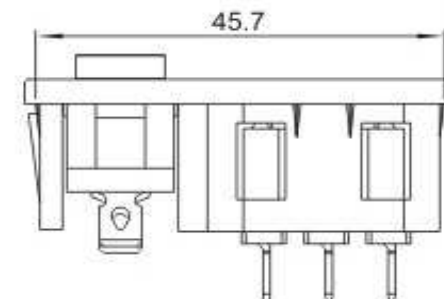
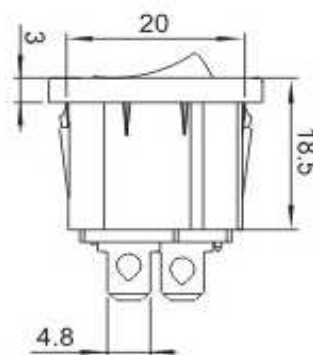
# EDCON-COMPONENTS



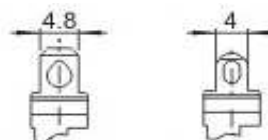
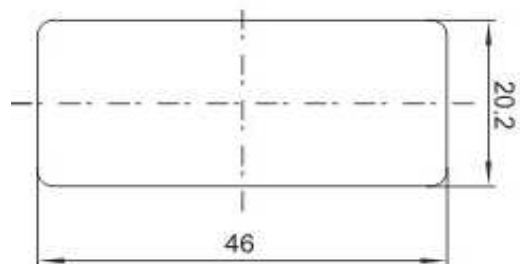
## Technical Discription

Voltage Rating:	15A/250VAC T105
Approval	
Voltage Rating:	10A / 250VAC
Approval	
Insulation Resistance:	1000MΩ (min) 500VDC
Dielectric withstand Voltage:	2500VAC 5s between Terminals 50~60Hz
Dielectric withstand Voltage:	3750VAC between Terminals to Base 50~60Hz
Insert & Extract Force:	1,36Kg - 6,8Kgf
Leakage Current:	1mA
Terminal Strength:	≥ 80N
Operating Life:	≥ 5000 cycles

## Drawing



## Panel Cutout



Type A

Type B

**European AC-Power Connector**

Part No.: **T11039**

DRW:	Jason	CHKD	Wilson	MATL:	Wilson	TOLERANCE	Mason	DATE	04.08.2016
APPD:	Schumi			FINISH	Jamy		Sheet No.		1 from 2

Customer:

# EDCON-COMPONENTS



## Ordering Informations

Serie	Body Colour	Panel Thickness A	Dimension D	Connecting Terminal	Spezial Function	Spezial Function	ROHS	Packing		
-------	-------------	-------------------	-------------	---------------------	------------------	------------------	------	---------	--	--

<b>T11039</b>	-	<b>BK</b>	<b>B</b>	<b>N</b>	<b>A</b>	<b>N</b>	<b>N</b>	<b>R</b>	<b>BU</b>	
---------------	---	-----------	----------	----------	----------	----------	----------	----------	-----------	--

<b>BK= Black</b>		<b>N= No function</b>	<b>A= 4,8mm Terminal</b>	<b>N= No function</b>	<b>N= No function</b>	<b>R= ROHS Conform</b>	<b>BU= Bulk-Ware</b>
<b>WH= White</b>			<b>B= Solder Lug Terminal</b>				<b>IV= Individual Package</b>
<b>RD= Red</b>	<b>B= 1,0mm</b>						
<b>YE= Yellow</b>	<b>C= 1,5mm</b>						
<b>GN= Green</b>	<b>D= 2,0mm</b>						
<b>BL= Blue</b>	<b>E= 3,0mm</b>						

**European AC-Power Connector**

Part No.: **T11039**

DRW:	Jason	CHKD	Wilson	MATL:	Wilson	TOLERANCE	Mason	DATE	04.08.2016
APPD:	Schumi			FINISH	Jamy		Sheet No.		2 from 2

Customer: