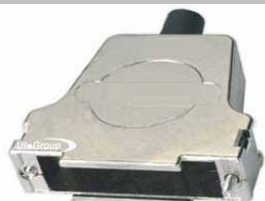
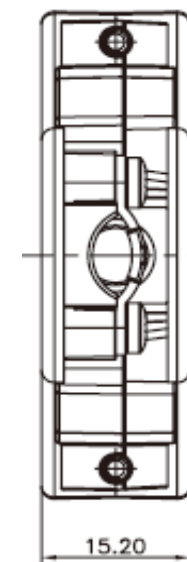
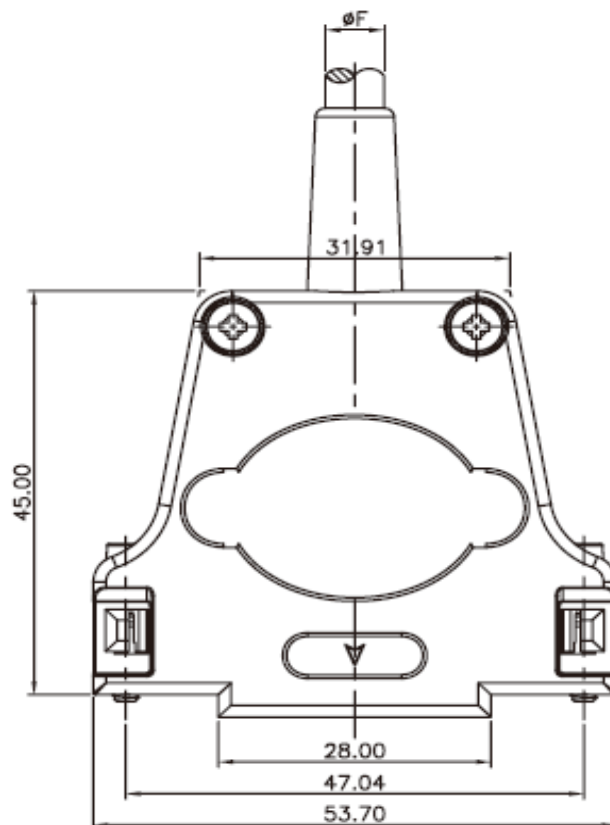
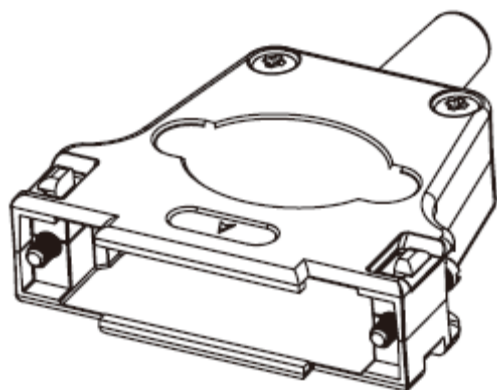


# EDCON-COMPONENTS



## Specifications

Lock Type	D-Sub	25Pos.
Screw Type	UNC 4-40	
Material Hood	Zinc Alloy	
Material Screw	Steel	
Cable entry:	180°	
Color of Hood	like Material	



**25Pos. D-SUB-Metall Hood  
180° cable entry**

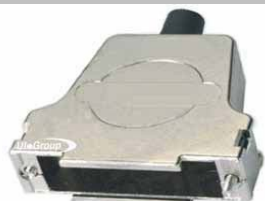
Part No.: **T31086-**

DRW:	Jason	CHKD	Wilson	MATL:	Wilson	TOLERANCE	Mason	DATE	10.12.2017
APPD:	Schumi			FINISH	Jamy		Sheet No.	1 from 4	Customer:

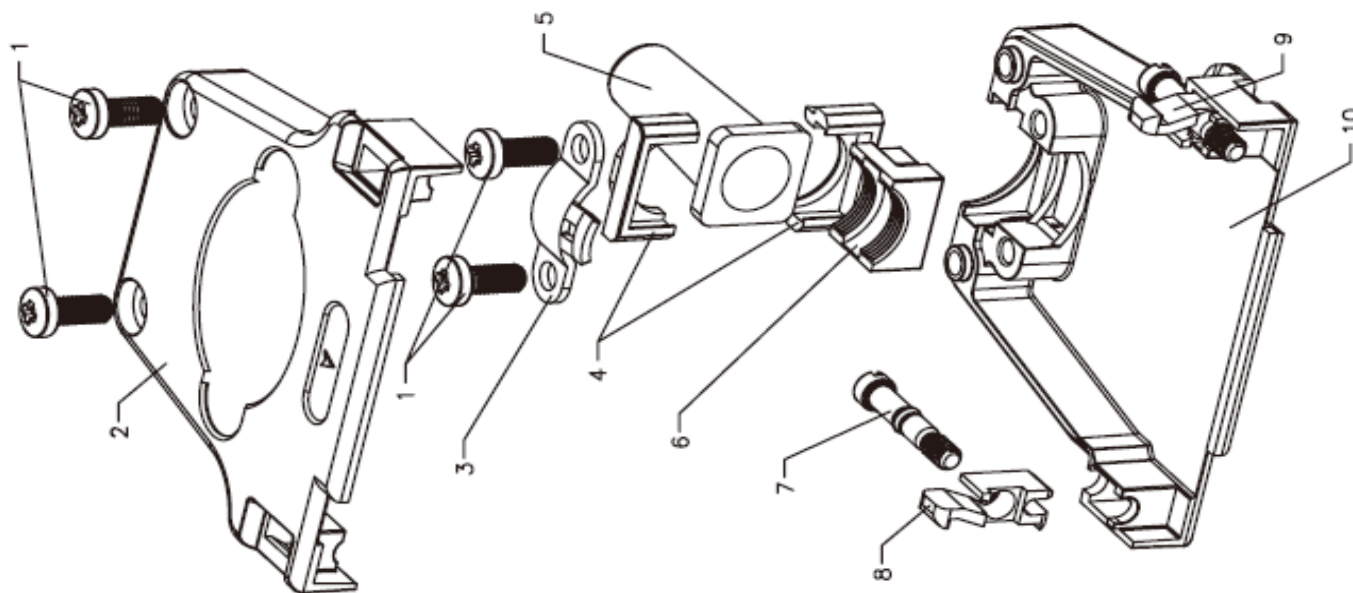
[www.edcon-components.com](http://www.edcon-components.com)

email: [info@edcon-components.com](mailto:info@edcon-components.com)

# EDCON-COMPONENTS



## Type A Drawing ( dimensions all into mm)



BOM-List Type A			
Item	Part Name	Qty	Notes
1	Screw	4	M3
2	Metal Hood 1	1	Zinc-alloy
3	Washer	1	
4	Cable Reduction Plate	2	
5	SR	1	
6	Strain Relief	1	
7	Bolt	2	UNC-4-40
8	Latch-1	1	
9	Latch-2	1	
10	Metal Hood 2	1	Zinc-alloy

**25Pos. D-SUB-Metall Hood  
180° cable entry**

Part No.: **T31086-**

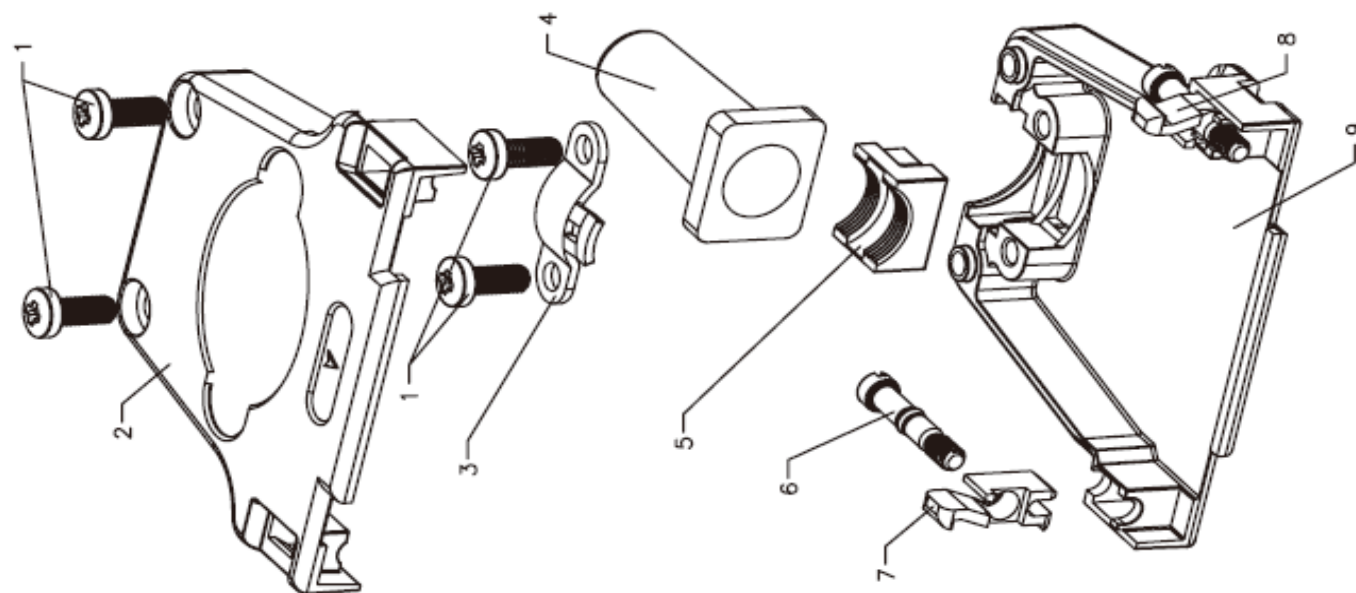
Customer:

DRW:	Jason	CHKD	Wilson	MATL:	Wilson	TOLERANCE	Mason	DATE	10.12.2017
APPD:	Schumi			FINISH	Jamy		Sheet No.		2 from 4

# EDCON-COMPONENTS



## Type B Drawing ( dimensions all into mm)



BOM-List Type B			
Item	Part Name	Qty	Notes
1	Screw	4	M3
2	Metal Hood 1	1	Zinc-alloy
3	Washer	1	
4	SR	1	
5	Strain Relief	1	
6	Bolt	2	UNC-4-40
7	Latch-1	1	
8	Latch-2	1	
9	Metal Hood 2	1	Zinc-alloy

**25Pos. D-SUB-Metall Hood  
180° cable entry**

Part No.: **T31086-**

Customer:

DRW:	Jason	CHKD	Wilson	MATL:	Wilson	TOLERANCE	Mason	DATE	10.12.2017
APPD:	Schumi			FINISH	Jamy		Sheet No.		3 from 4

# EDCON-COMPONENTS



## Ordering Informations

Serie	No of Pos.	Color of Body	Screw Type	Diameter of F	ROHS	Packing				
<b>T31086-</b>	<b>25</b>	<b>ME</b>	<b>A</b>	<b>A</b>	<b>R</b>	<b>BU</b>				

<b>25=</b> 25Pos. D-Sub	<b>ME=</b> Metall	<b>A=</b> Short Screw	<b>A1=</b> Ø 8mm with Strain Relief Type A	<b>R=</b> ROHS Conform <b>N=</b> NON ROHS Conf.	<b>BU=</b> One PCS into one Polybag <b>IV=</b> Individual Package
			<b>A2=</b> Ø 3,0~8,5mm without Strain Relief Type A		
			<b>B1=</b> Ø 9,0mm with Strain Relief Type B		
			<b>B2=</b> Ø 8,5~12,5mm without Strain Relief Type B		

**25Pos. D-SUB-Metall Hood  
180° cable entry**

Part No.: **T31086-**

DRW:	Jason	CHKD	Wilson	MATL:	Wilson	TOLERANCE	Mason	DATE	10.12.2017	Customer:
APPD:	Schumi			FINISH	Jamy		Sheet No.	4 from 4		