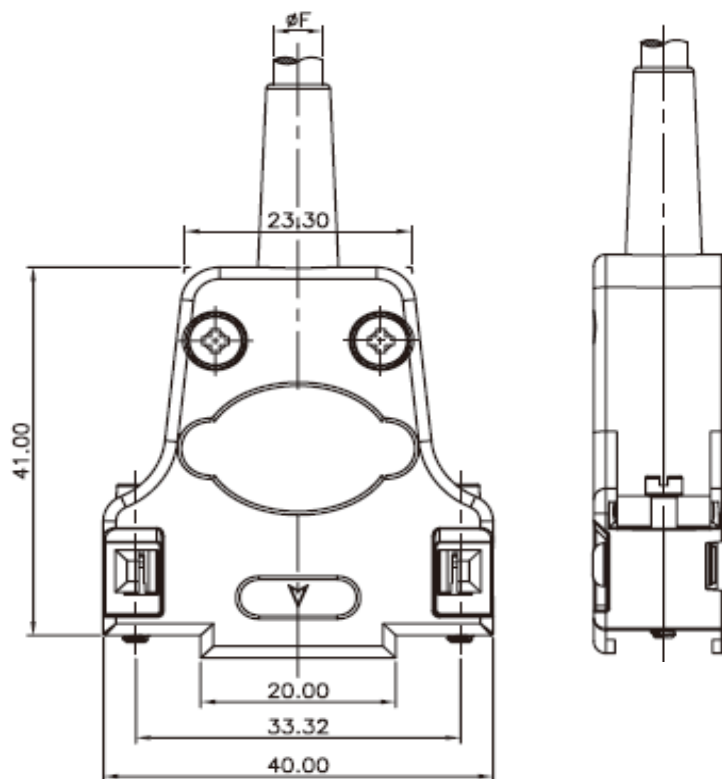
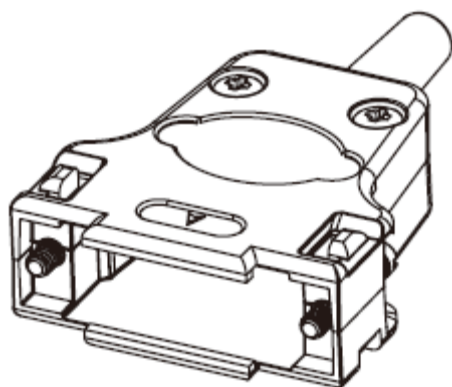


EDCON-COMPONENTS



Specifications

Lock Type	15Pos.
D-Sub	UNC 4-40
Screw Type	Zinc Alloy
Material Hood	Steel
Material Screw	180°
Cable entry:	like Material
Color of Hood	



**15Pos. D-SUB-Metall Hood
180° cable entry**

T31085-

DRW:	Jason	CHKD	Wilson	MATL:	Wilson	TOLERANCE	Mason	DATE	10.12.2017
APPD:	Schumi			FINISH	Jamy		Sheet No.	1 from 3	Customer:

www.edcon-components.com

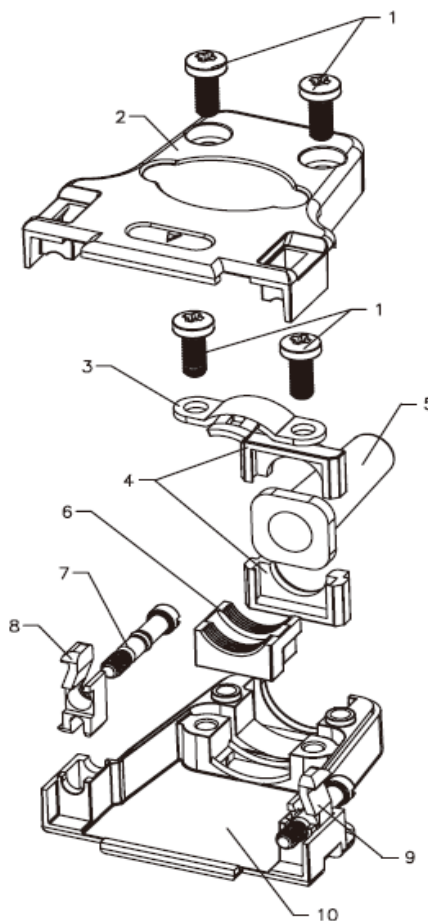
email: info@edcon-components.com

EDCON-COMPONENTS

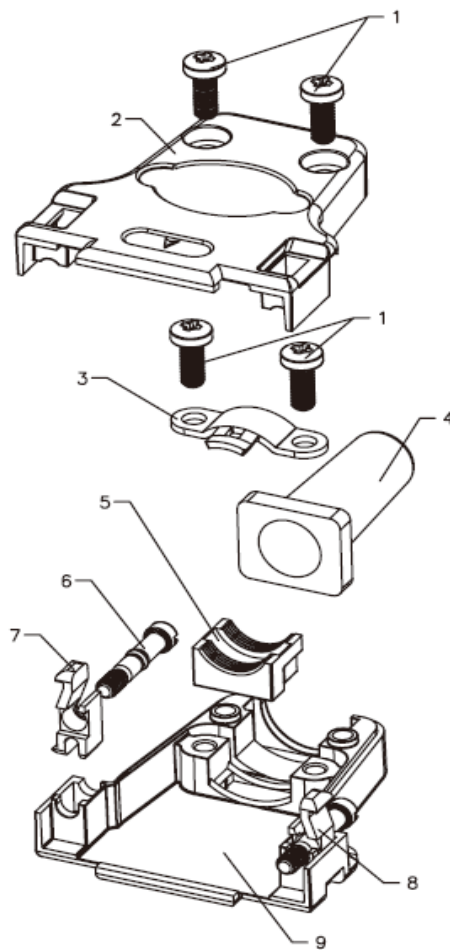


Drawing (dimensions all into mm)

Type A



Type A



BOM-List Type A

Item	Part Name	Qty	Notes
1	Screw	4	M3
2	Metal Hood 1	1	Zinc-alloy
3	Washer	1	
4	Cable Reduction Pl.	2	
5	SR	1	
6	Strain Relief	1	
7	Bolt	2	UNC-4-40
8	Latch-1	1	
9	Latch-2	1	
10	Metal Hood 2	1	Zinc-alloy

BOM-List Type B

Item	Part Name	Qty	Notes
1	Screw	4	M3
2	Metal Hood 1	1	Zinc-alloy
3	Washer	1	
5	SR	1	
6	Strain Relief	1	
7	Bolt	2	UNC-4-40
8	Latch-1	1	
9	Latch-2	1	
10	Metal Hood 2	1	Zinc-alloy

**15Pos. D-SUB-Metall Hood
180° cable entry**

Part No.: **T31085-**

Customer:

DRW:	Jason	CHKD	Wilson	MATL:	Wilson	TOLERANCE	Mason	DATE	10.12.2017
APPD:	Schumi			FINISH	Jamy			Sheet No.	2 from 3

EDCON-COMPONENTS



Ordering Informations

Serie	No of Pos.	Color of Body	Screw Type	Diameter of F	ROHS	Packing				
T31085-	15	ME	A	A	R	BU				

15= 15Pos. D-Sub	ME= Metall	A= Short Screw	A= Ø 6,5mm with Strain Relief A1= Ø 3,0 ~ 9,5mm w/o Strain Relief B= Ø 9,0mm with Strain Relief B1= Ø 8,5~12,5mm w/o Strain Relief	R= ROHS Conform N= NON ROHS Conf.	BU= One PCS into one Polybag IV= Individual Package
-------------------------	-------------------	-----------------------	---	--	--

**15Pos. D-SUB-Metall Hood
180° cable entry**

Part No.: **T31085-**

DRW:	Jason	CHKD	Wilson	MATL:	Wilson	TOLERANCE	Mason	DATE	10.12.2017
APPD:	Schumi			FINISH	Jamy		Sheet No.		3 from 3

Customer: