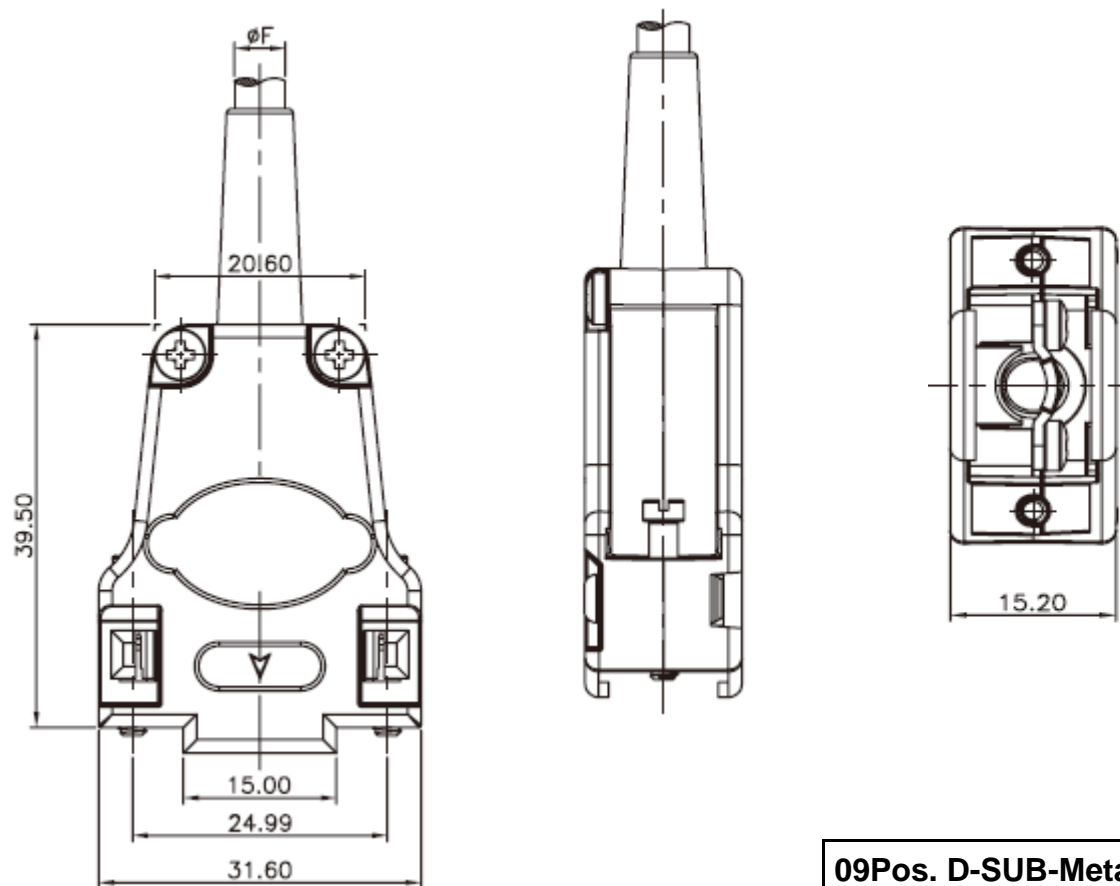
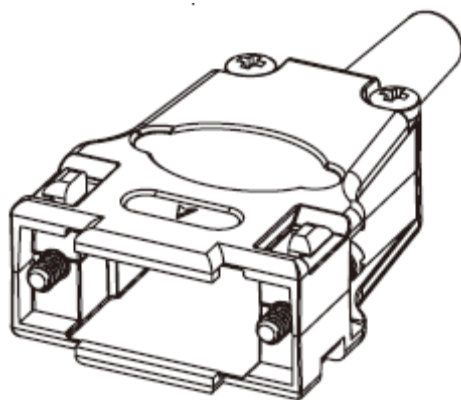


EDCON-COMPONENTS



Specifications

Lock Type	09Pos.
D-Sub	
Screw Type	UNC 4-40
Material Hood	Zinc Alloy
Material Screw	Steel
Cable entry:	180°
Color of Hood	like Material



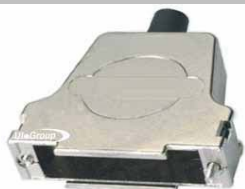
**09Pos. D-SUB-Metall Hood
180° cable entry**

Part No.: **T31084-**

Customer:

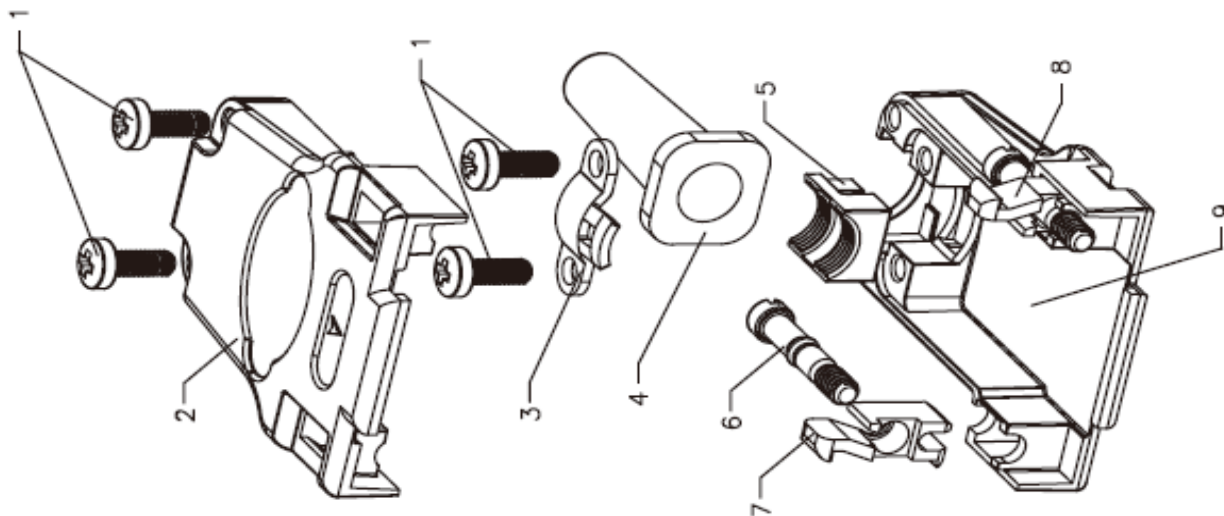
DRW:	Jason	CHKD	Wilson	MATL:	Wilson	TOLERANCE	Mason	DATE	10.12.2017
APPD:	Schumi			FINISH	Jamy		Sheet No.	1 from 3	

EDCON-COMPONENTS



Drawing (dimensions all into mm)

BOM-List			
Item	Part Name	Qty	Notes
1	Screw	4	M3
2	Metal Hood 1	1	Zinc-alloy
3	Washer	1	
4	SR	1	
5	Strain Relief	1	
6	Bolt	2	UNC-4-40
7	Latch-1	1	
8	Latch-2	1	
9	Metal Hood 2	1	Zinc-alloy



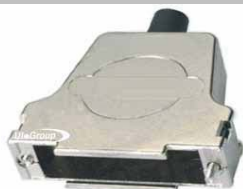
**09Pos. D-SUB-Metall Hood
180° cable entry**

Part No.: **T31084-**

Customer:

DRW:	Jason	CHKD	Wilson	MATL:	Wilson	TOLERANCE	Mason	DATE	10.12.2017
APPD:	Schumi			FINISH	Jamy			Sheet No.	2 from 3

EDCON-COMPONENTS



Ordering Informations

Serie	No of Pos.	Color of Body	Screw Type	Diameter of F	ROHS	Packing				
T31084-	09	ME	A	A	R	BU				

09= 9Pos. D-Sub	ME= Metall	A= Short Screw	A= Ø 6,5mm with Strain Relief	R= ROHS Conform N= NON ROHS Conf.	BU= One PCS into one Polybag IV= Individual Package
			B= Ø 3,0-9,5mm without Strain Relief		

**09Pos. D-SUB-Metall Hood
180° cable entry**

Part No.: **T31084-**

DRW:	Jason	CHKD	Wilson	MATL:	Wilson	TOLERANCE	Mason	DATE	10.12.2017
APPD:	Schumi			FINISH	Jamy		Sheet No.		3 from 3

Customer: