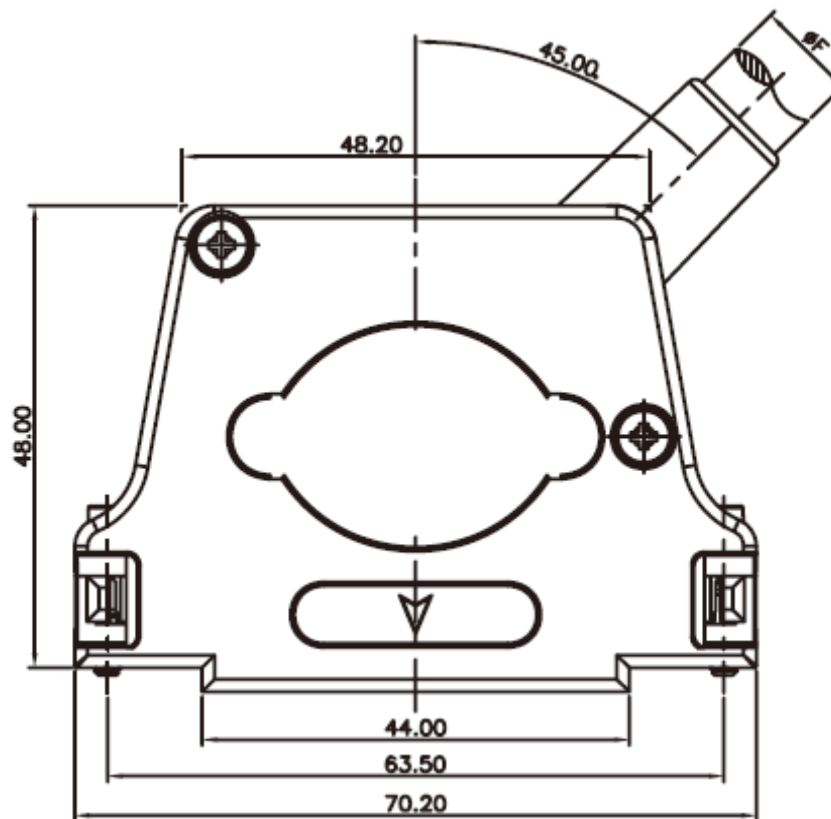
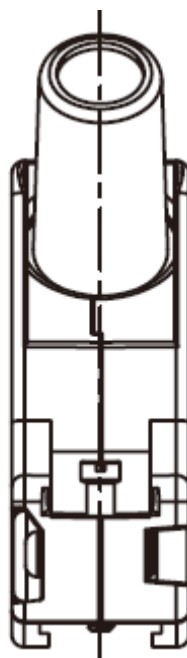


EDCON-COMPONENTS



Specifications

Lock Type	37Pos.
D-Sub	
Screw Type	UNC 4-40
Material Hood	Zinc Alloy
Material Screw	Steel
Cable entry:	45°
Color of Hood	like Material



**37Pos. D-SUB-Metall Hood
45° cable entry**

Part No.: **T31080-**

Customer:

DRW:	Jason	CHKD	Wilson	MATL:	Wilson	TOLERANCE	Mason	DATE	04.12.2017
APPD:	Schumi			FINISH	Jamy		Sheet No.	1 from 4	

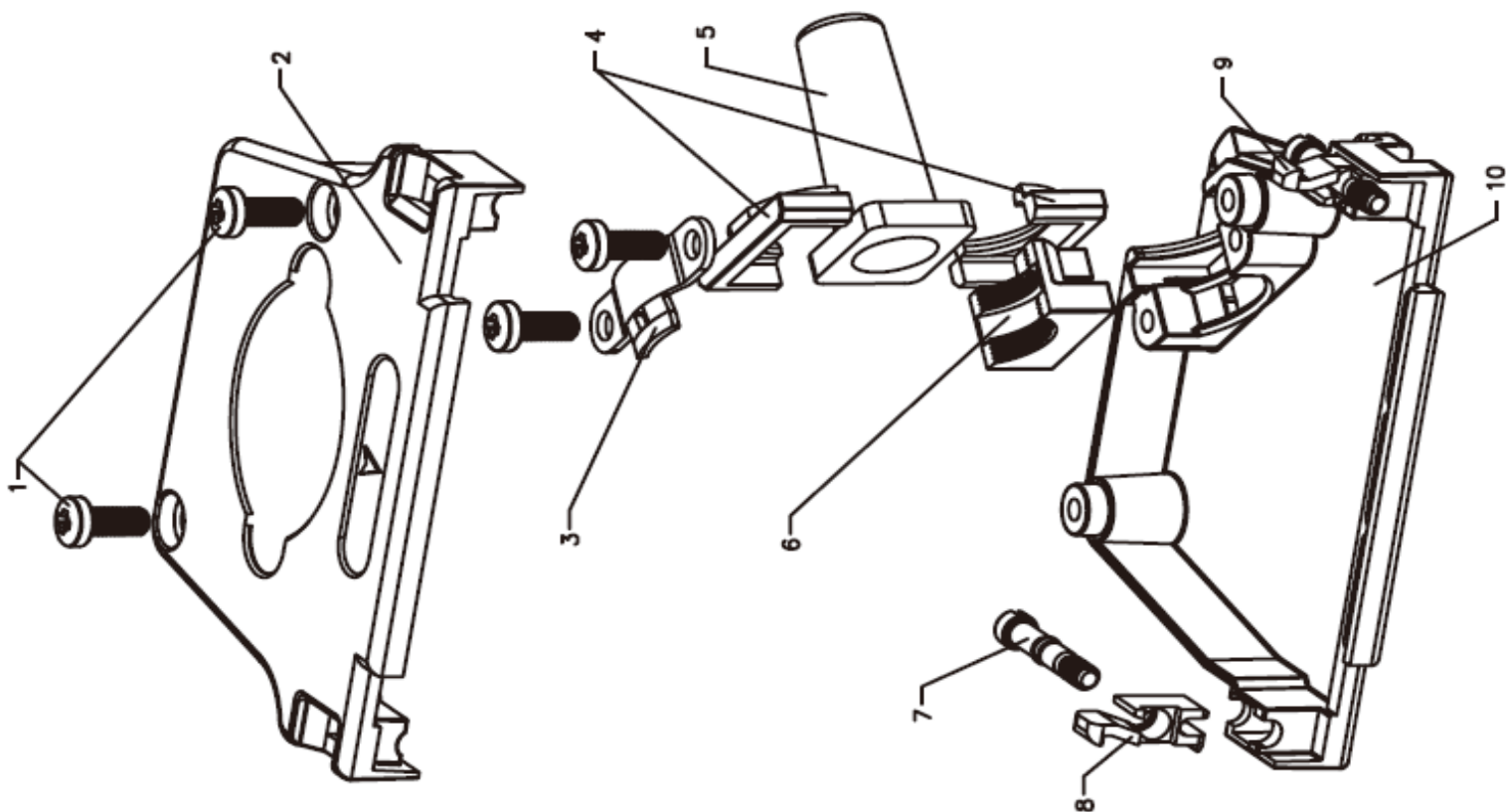
www.edcon-components.com

email: info@edcon-components.com

EDCON-COMPONENTS



Type A Drawing (dimensions all into mm)



BOM-List			
Item	Part Name	Qty	Notes
1	Screw	4	M3
2	Metal Hood 1	1	Zinc-alloy
3	Washer	1	
4	Cable Reduction Plate	2	
5	SR	1	
6	Strain Relief	1	
7	Bolt	2	UNC-4-40
8	Latch-1	1	
9	Latch-2	1	
10	Metal Hood 2	1	Zinc-alloy

**37Pos. D-SUB-Metall Hood
45° cable entry**

Part No.: **T31080-**

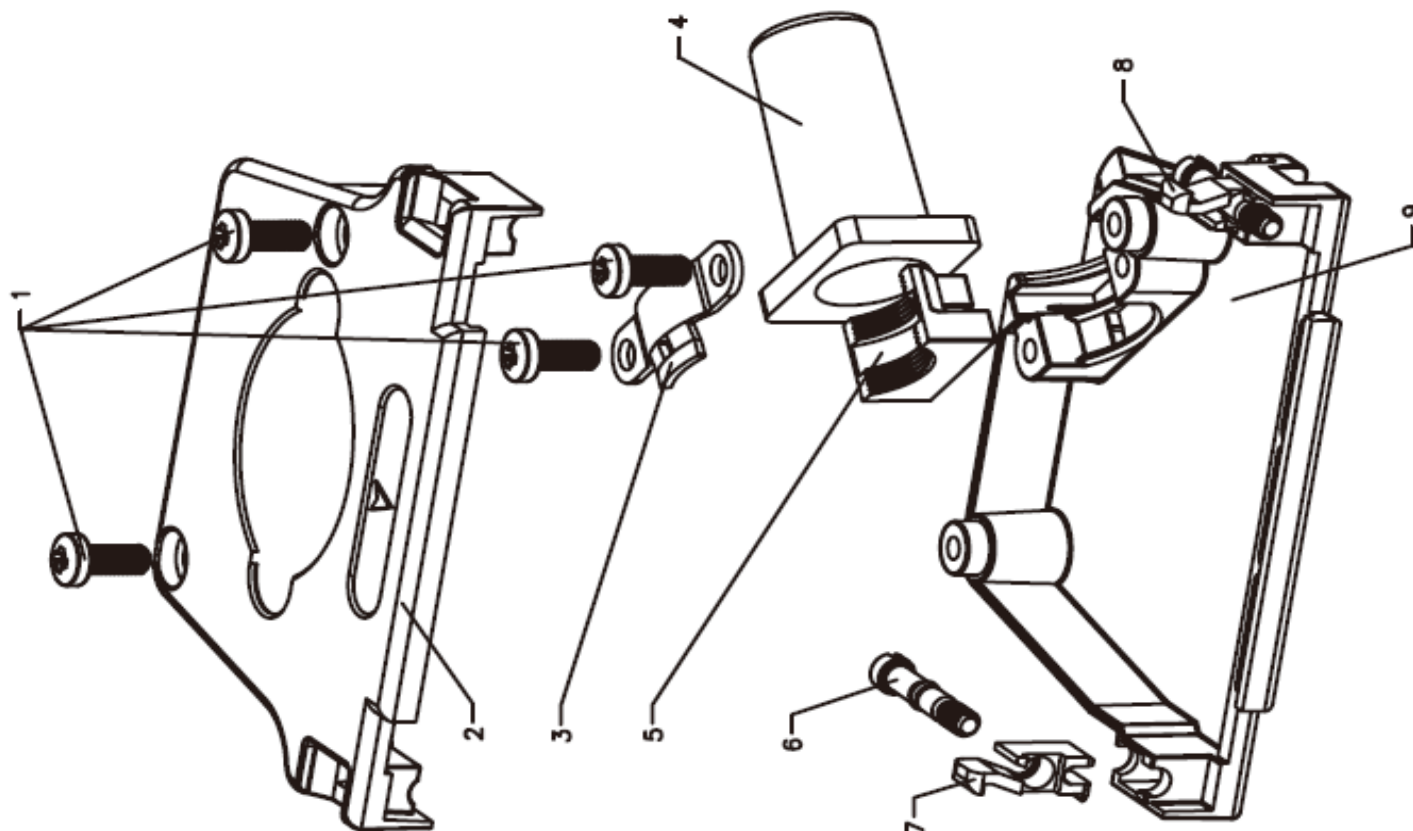
Customer:

DRW:	Jason	CHKD	Wilson	MATL:	Wilson	TOLERANCE	Mason	DATE	04.12.2017
APPD:	Schumi			FINISH	Jamy			Sheet No.	2 from 4

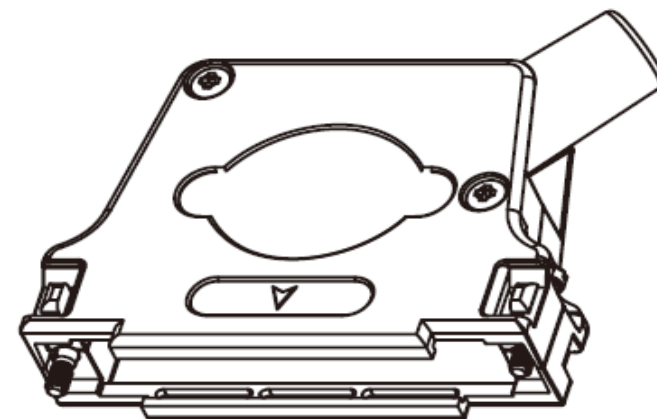
EDCON-COMPONENTS



Type B Drawing (dimensions all into mm)



BOM-List			
Item	Part Name	Qty	Notes
1	Screw	4	M3
2	Metal Hood 1	1	Zinc-alloy
3	Washer	1	
4	SR	1	
5	Strain Relief	1	
6	Bolt	2	UNC-4-40
7	Latch-1	1	
8	Latch-2	1	
9	Metal Hood 2	1	Zinc-alloy



**37Pos. D-SUB-Metall Hood
45° cable entry**

Part No.: **T31080-**

Customer:

DRW:	Jason	CHKD	Wilson	MATL:	Wilson	TOLERANCE	Mason	DATE	04.12.2017
APPD:	Schumi			FINISH	Jamy			Sheet No.	3 from 4

EDCON-COMPONENTS



Ordering Informations

Serie	No of Pos.	Color of Body	Screw Type	Diameter of F	ROHS	Packing			
T31080-	37	ME	A	A	R	BU			

37= 37Pos. D-Sub	ME= Metall	A= Short Screw	A1= Ø 9mm with Strain Relief Type A A2= Ø 3,0~12,0mm without Strain Relief Type A B1= Ø 11,5mm with Strain Relief Type B B2= Ø 12,0~15,0m m without Strain Relief Type B	R= ROHS Conform N= NON ROHS Conf.	BU= One PCS into one Polybag IV= Individual Package
-------------------------	-------------------	-----------------------	---	--	--

**37Pos. D-SUB-Metall Hood
45° cable entry**

Part No.: **T31080-**

DRW:	Jason	CHKD	Wilson	MATL:	Wilson	TOLERANCE	Mason	DATE	04.12.2017
APPD:	Schumi			FINISH	Jamy		Sheet No.		4 from 4

Customer: