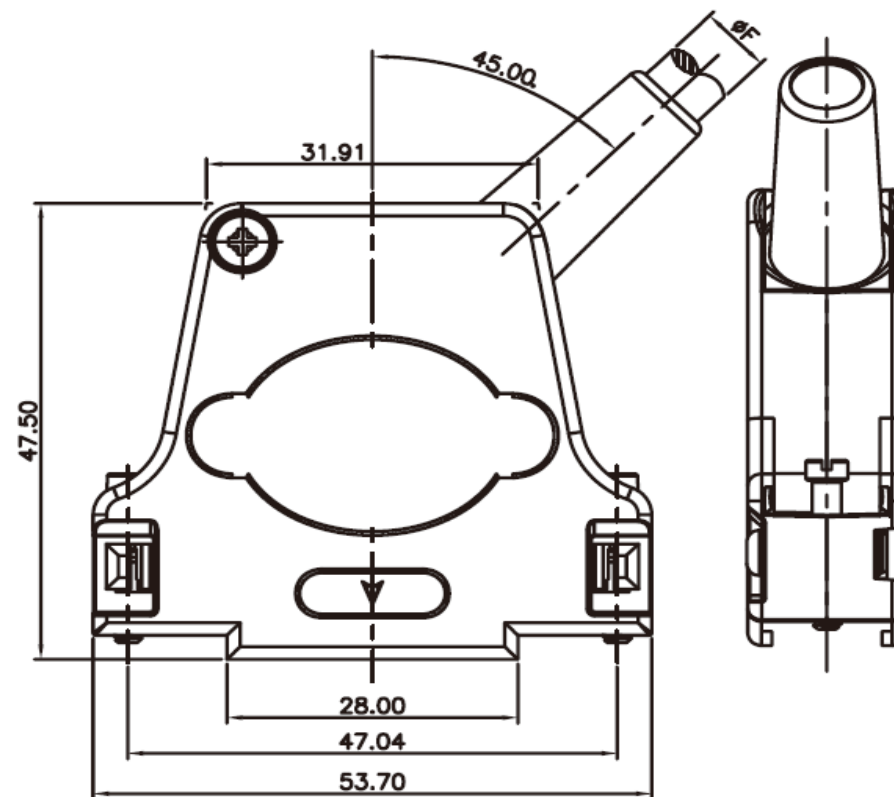
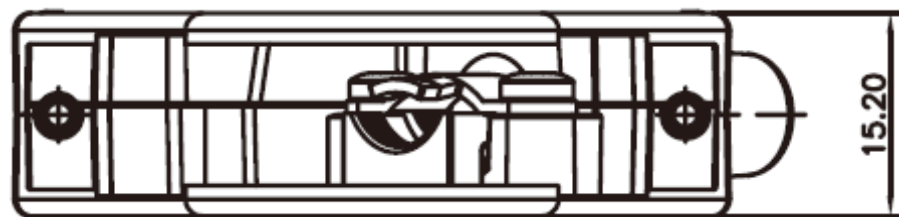


EDCON-COMPONENTS



Specifications

Lock Type	25Pos.
D-Sub	UNC 4-40
Screw Type	Zinc Alloy
Material Hood	Steel
Material Screw	45°
Cable entry:	like Material
Color of Hood	



**25Pos. D-SUB-Metall Hood
45° cable entry**

Part No.: **T31079-**

Customer:

DRW:	Jason	CHKD	Wilson	MATL:	Wilson	TOLERANCE	Mason	DATE	04.12.2017
APPD:	Schumi			FINISH	Jamy		Sheet No.	1 from 4	

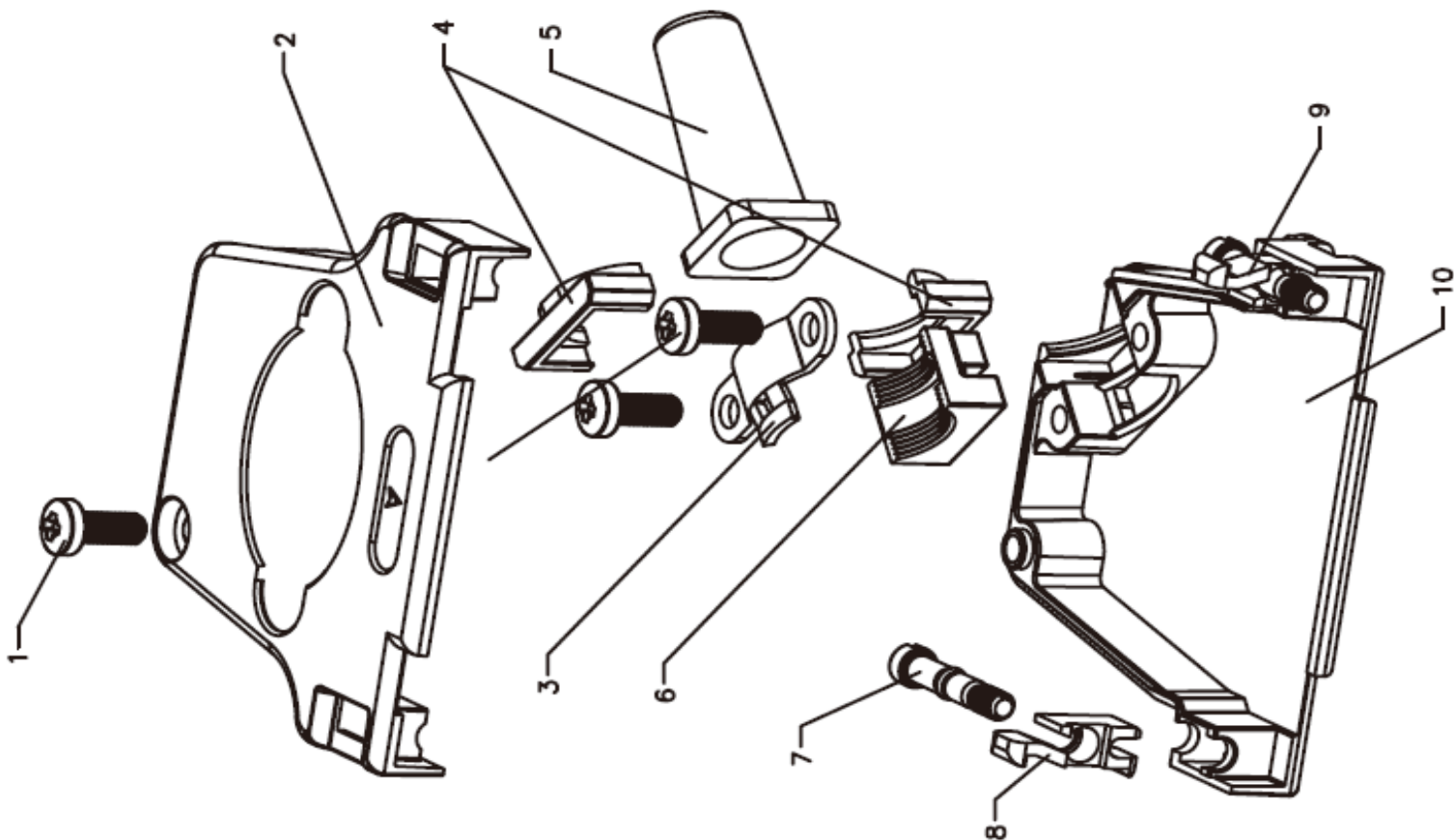
www.edcon-components.com

email: info@edcon-components.com

EDCON-COMPONENTS



Type A Drawing (dimensions all into mm)



BOM-List			
Item	Part Name	Qty	Notes
1	Screw	4	M3
2	Metal Hood 1	1	Zinc-alloy
3	Washer	1	
4	Cable Reduction Plate	2	
5	SR	1	
6	Strain Relief	1	
7	Bolt	2	UNC-4-40
8	Latch-1	1	
9	Latch-2	1	
10	Metal Hood 2	1	Zinc-alloy

**25Pos. D-SUB-Metall Hood
45° cable entry**

Part No.: **T31079-**

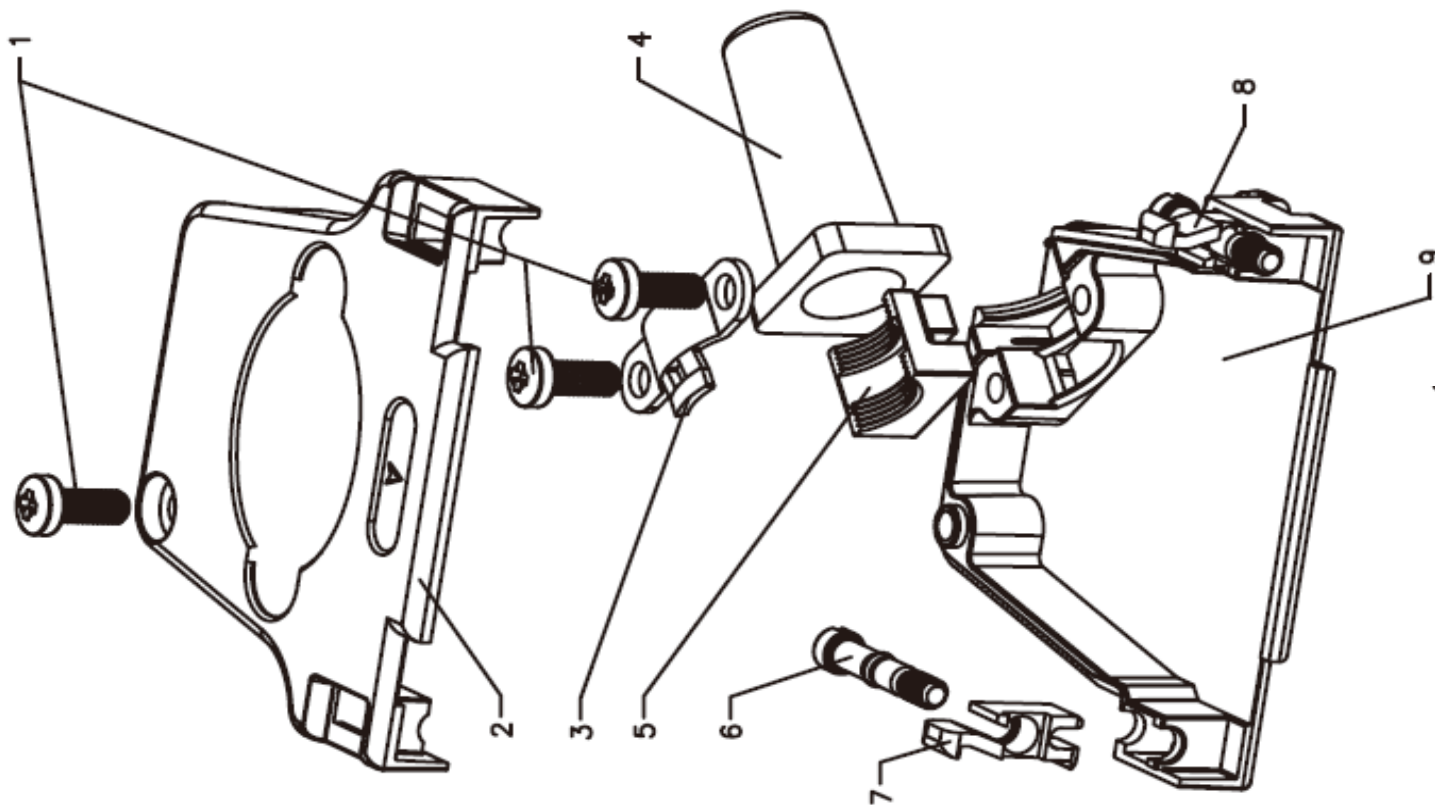
Customer:

DRW:	Jason	CHKD	Wilson	MATL:	Wilson	TOLERANCE	Mason	DATE	04.12.2017
APPD:	Schumi			FINISH	Jamy			Sheet No.	2 from 4

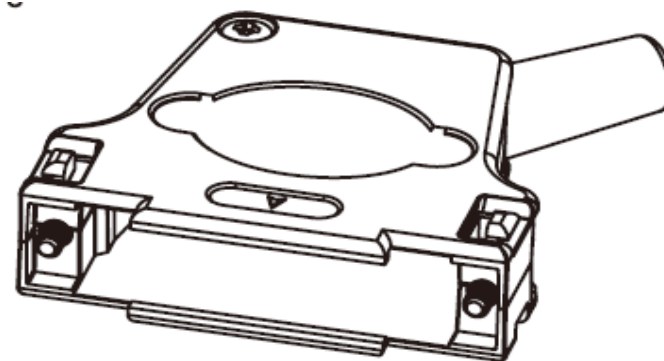
EDCON-COMPONENTS



Type B Drawing (dimensions all into mm)



BOM-List			
Item	Part Name	Qty	Notes
1	Screw	4	M3
2	Metal Hood 1	1	Zinc-alloy
3	Washer	1	
4	SR	1	
5	Strain Relief	1	
6	Bolt	2	UNC-4-40
7	Latch-1	1	
8	Latch-2	1	
9	Metal Hood 2	1	Zinc-alloy



**25Pos. D-SUB-Metall Hood
45° cable entry**

Part No.: **T31079-**

Customer:

DRW:	Jason	CHKD	Wilson	MATL:	Wilson	TOLERANCE	Mason	DATE	04.12.2017
APPD:	Schumi			FINISH	Jamy		Sheet No.	3 from 4	

EDCON-COMPONENTS



Ordering Informations

Serie	No of Pos.	Color of Body	Screw Type	Diameter of F	ROHS	Packing				
T31079-	25	ME	A	A	R	BU				

25= 25Pos. D-Sub	ME= Metall	A= Short Screw	A1= Ø 8mm with Strain Relief Type A	R= ROHS Conform N= NON ROHS Conf.	BU= One PCS into one Polybag IV= Individual Package
			A2= Ø 3,0~8,5mm without Strain Relief Type A		
			B1= Ø 9,0mm with Strain Relief Type B		
			B2= Ø 8,5~12,5mm without Strain Relief Type B		

**25Pos. D-SUB-Metall Hood
45° cable entry**

Part No.: **T31079-**

DRW:	Jason	CHKD	Wilson	MATL:	Wilson	TOLERANCE	Mason	DATE	04.12.2017	Customer:
APPD:	Schumi			FINISH	Jamy		Sheet No.	4 from 4		