



DATA SHEET

DIN 41612 Connector Type B

Serie: T22017

Type Female

Full-Size

Wire Wrap

Straight Pin

DIN 41612 Connector Type B

Serie No.: **T22017**

Customer:

DRW:	Jason	CHKD	Wilson	MATL:	Wilson	TOLERANCE	Mason	DATE	09.05.2014
APPD:	Schumi			FINISH	Jamy		Sheet No.		1 from 5

EDCON-COMPONENTS



Specifications

Contact Resistance:	20m Ω Max:
Insulation Resistance:	1000M Ω Min:
Curent Rating:	2A
Dielectric Withstanding Voltage:	AC 1000V (r.m.s.) / 60s
Operating Temperature:	.- 55°C to + 125°C
Material:	
Housing:	PBT
Contact:	copper Alloy
Contact plating:	tin and gold look order code

column w. contacts	column w. contacts	column w. contacts	column w. contacts	column w. contacts	column w. contacts
1 , 2, 3.....	1 , 3, 5.....	2 , 4, 6.....	1 , 2, 3.....	1 , 3, 5.....	2 , 4, 6.....
Row with contacts	Row with contacts	Row with contacts	Row with contacts	Row with contacts	Row with contacts
ab	ab	ab	a	a	a
Order Code	Order Code	Order Code	Order Code	Order Code	Order Code
A1	A2	A3	A4	A5	A6

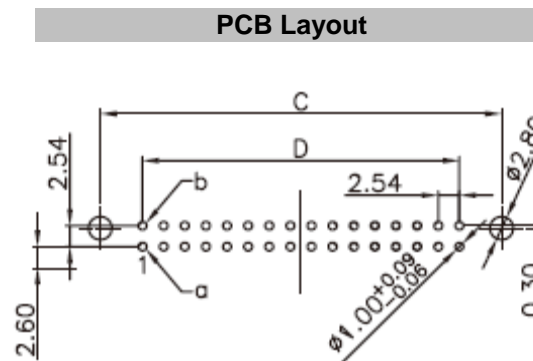
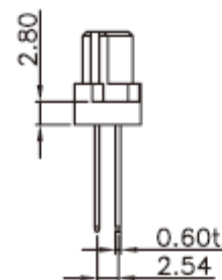
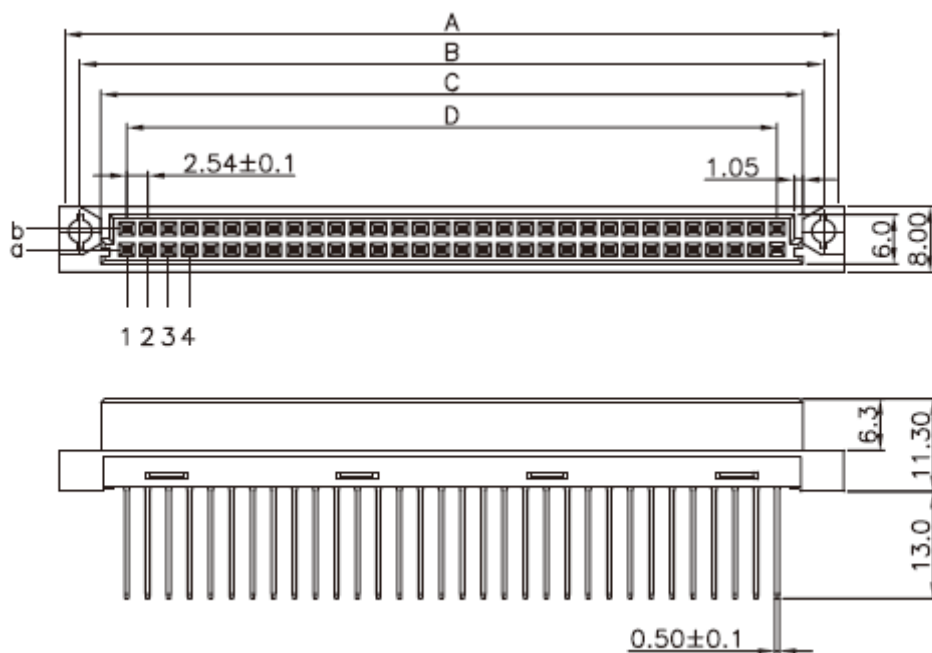
DIN 41612 Connector Type B	
Part No.:	T22017
Customer:	

DRW:	Jason	CHKD	Wilson	MATL:	Wilson	TOLERANCE	Mason	DATE	09.05.2014
APPD:	Schumi			FINISH	Jamy		Sheet No.		2 from 5

EDCON-COMPONENTS



Drawing



Positions	A	B	C	D
64P (2x32)	94,90	90,00	85,60	78,74

DIN 41612 Connector Type B

Part No.: **T22017**

DRW:	Jason	CHKD	Wilson	MATL:	Wilson	TOLERANCE	Mason	DATE	09.05.2014	Customer:
APPD:	Schumi			FINISH	Jamy		Sheet No.	3 from 5		

EDCON-COMPONENTS



Ordering Informations

Serie	Number of Position	Contact Plating	Order Code Connecting	ROHS	Packing Code					
-------	--------------------	-----------------	-----------------------	------	--------------	--	--	--	--	--

T22017	64	G0	A1	R	BU					
---------------	-----------	-----------	-----------	----------	-----------	--	--	--	--	--

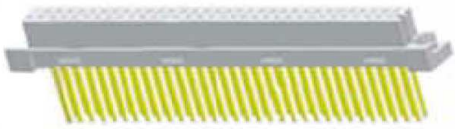
64= 64Pos.	TN= Tin plated	Ax= look table	R= ROHS Conform	BU= Bulk Ware
32= 32Pos.	G0= selectiv Gold flash		N= NON ROHS Conform	TY= Tray Packing
	GA= selectiv 3μ Gold			
	GB= selectiv 10μ Gold			

DIN 41612 Connector Type B

Part No.: **T22017**

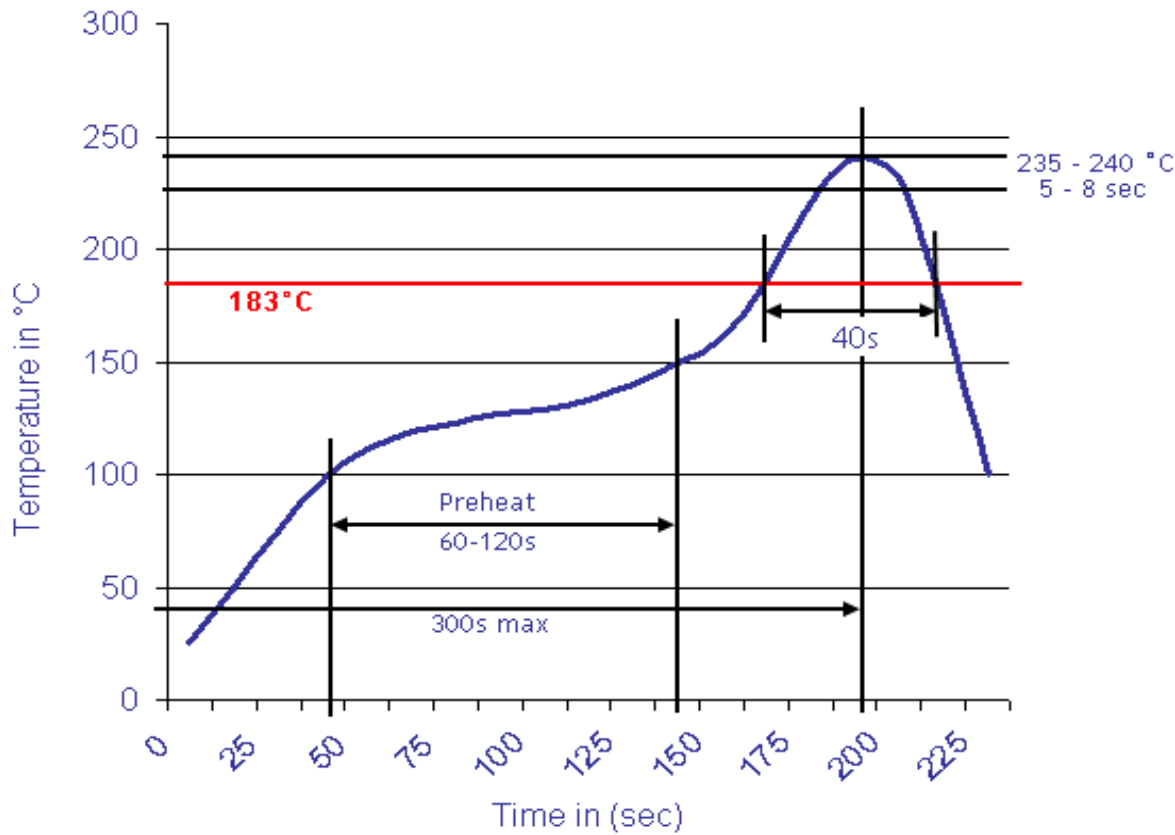
DRW:	Jason	CHKD	Wilson	MATL:	Wilson	TOLERANCE	Mason	DATE	09.05.2014
APPD:	Schumi			FINISH	Jamy		Sheet No.		4 from 5

Customer:



Soldering Profile Curve

Classification Reflow Profile (JEDEC J-STD-020C)



DIN 41612 Connector Type B

Part No.: **T22017**

Customer:

DRW:	Jason	CHKD	Wilson	MATL:	Wilson	TOLERANCE	Mason	DATE	09.05.2014
APPD:	Schumi			FINISH	Jamy		Sheet No.	5 from 5	

