



DATA SHEET

DIN 41612 Connector Type B

Serie: T22011

Type Male

Half-Size

Right -Angle

**DIN 41612 Connector Type
B**

Serie No.: **T22011**

Customer:

DRW:	Jason	CHKD	Wilson	MATL:	Wilson	TOLERANCE	Mason	DATE	13.05.2015
APPD:	Schumi			FINISH	Jamy		Sheet No.		1 from 5

EDCON-COMPONENTS



Specifications

Contact Resistance:	20m Ω Max:
Insulation Resistance:	1000M Ω Min:
Curent Rating:	2A
Dielectric Withstanding Voltage:	AC 1000V (r.m.s.) / 60s
Operating Temperature:	.- 55°C to + 125°C
Material:	PBT
Housing:	copper Alloy
Contact:	tin and gold look order code
Contact plating:	

column w. contacts	column w. contacts	column w. contacts	column w. contacts	column w. contacts	column w. contacts
1 , 2, 3.....	1 , 3, 5.....	2 , 4, 6.....	1 , 2, 3.....	1 , 3, 5.....	2 , 4, 6.....
Row with contacts	Row with contacts	Row with contacts	Row with contacts	Row with contacts	Row with contacts
ab	ab	ab	a	a	a
Order Code	Order Code	Order Code	Order Code	Order Code	Order Code
A1	A2	A3	A4	A5	A6

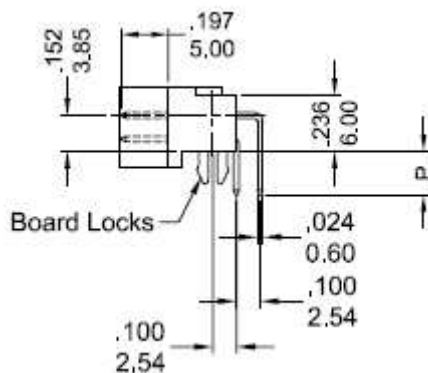
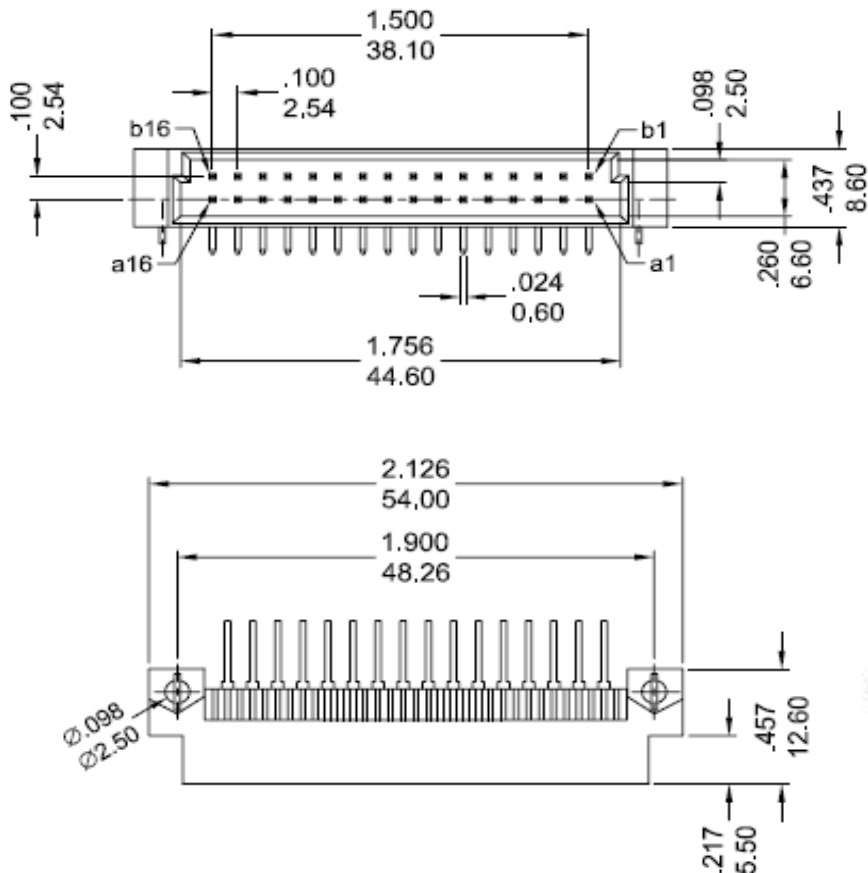
DIN 41612 Connector Type B	
Part No.:	T22011
Customer:	

DRW:	Jason	CHKD	Wilson	MATL:	Wilson	TOLERANCE	Mason	DATE	13.05.2015
APPD:	Schumi			FINISH	Jamy		Sheet No.		2 from 5

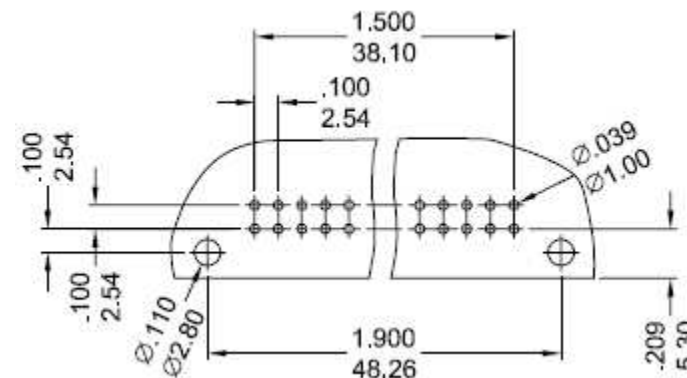
EDCON-COMPONENTS



Drawing



PCB Layout



DIN 41612 Connector Type B

Part No.: **T22011**

Customer:

DRW:	Jason	CHKD	Wilson	MATL:	Wilson	TOLERANCE	Mason	DATE	13.05.2015
APPD:	Schumi			FINISH	Jamy		Sheet No.	3 from 5	

EDCON-COMPONENTS



Ordering Informations

Serie	Number of Position	Contact Plating	Order Code Connecting	Special Features	ROHS	Packing Code				
-------	--------------------	-----------------	-----------------------	------------------	------	--------------	--	--	--	--

T22011	32	G0	A1	A	R	BU				
---------------	-----------	-----------	-----------	----------	----------	-----------	--	--	--	--

32= 32Pos.	TN= Tin plated	Ax= look table	A= without Boardlock	R= ROHS Conform	BU= Bulk Ware
16= 16Pos.	G0= selectiv Gold flash				
	GA= selectiv 3μ Gold				
	GB= selectiv 10μ Gold				

DIN 41612 Connector Type B

Part No.: **T22011**

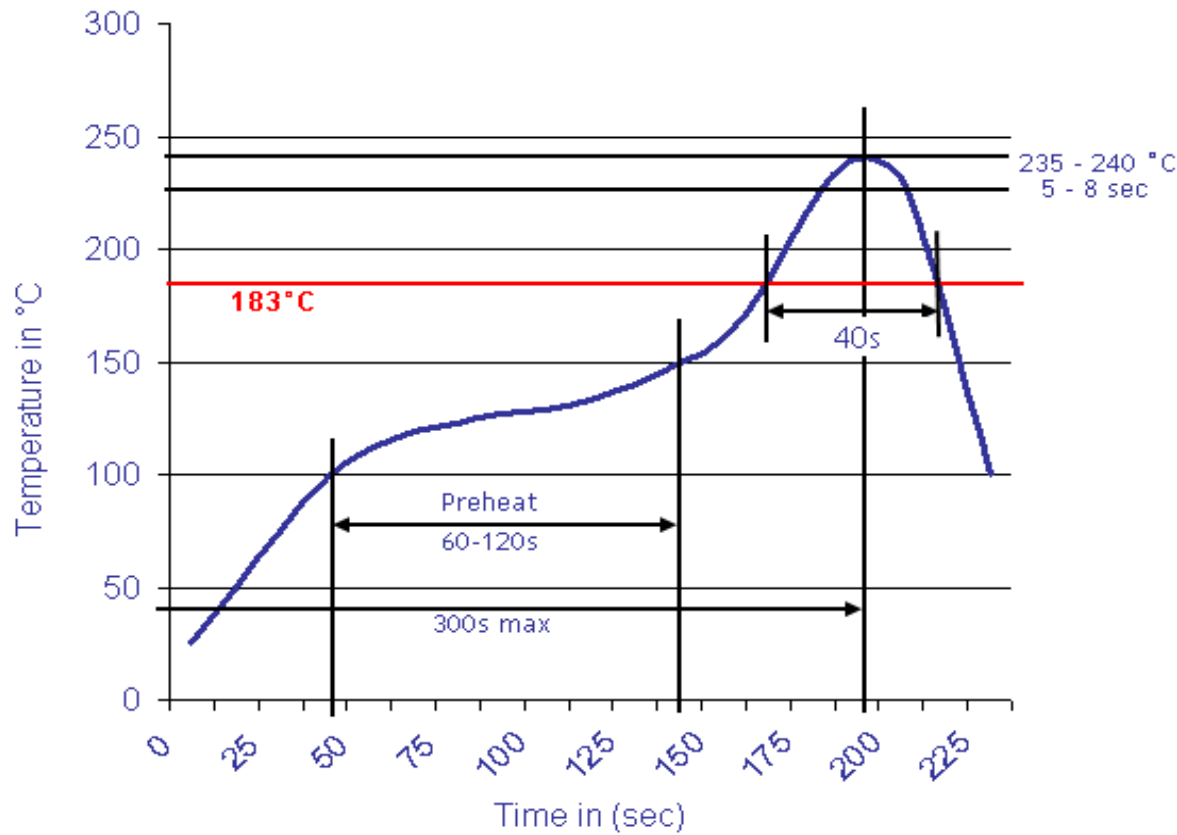
Customer:

DRW:	Jason	CHKD	Wilson	MATL:	Wilson	TOLERANCE	Mason	DATE	13.05.2015
APPD:	Schumi			FINISH	Jamy		Sheet No.		4 from 5



Soldering Profile Curve

Classification Reflow Profile (JEDEC J-STD-020C)



DIN 41612 Connector Type B

Part No.: **T22011**

Customer:

DRW:	Jason	CHKD	Wilson	MATL:	Wilson	TOLERANCE	Mason	DATE	13.05.2015
APPD:	Schumi			FINISH	Jamy		Sheet No.	5 from 5	

