



# DATA SHEET

## DIN 41612 Connector Type B Half -Size

### Serie: T22010

Type Female

Half-Size

Straight Pin

**DIN 41612 Connector Type  
B Half -Size**

Serie No.: **T22010**

Customer:

DRW:	Jason	CHKD	Wilson	MATL:	Wilson	TOLERANCE	Mason	DATE	13.05.2015
APPD:	Schumi			FINISH	Jamy		Sheet No.		1 from 5

# EDCON-COMPONENTS



## Specifications

Contact Resistance:	20m Ω Max:
Insulation Resistance:	1000M Ω Min:
Curent Rating:	2A
Dielectric Withstanding Voltage:	AC 1000V (r.m.s.) / 60s
Operating Temperature:	.- 55°C to + 125°C
Material:	PBT
Housing:	copper Alloy
Contact:	tin and gold look order code
Contact plating:	

column w. contacts	column w. contacts	column w. contacts	column w. contacts	column w. contacts	column w. contacts
1 , 2, 3.....	1 , 3, 5.....	2 , 4, 6.....	1 , 2, 3.....	1 , 3, 5.....	2 , 4, 6.....
Row with contacts	Row with contacts	Row with contacts	Row with contacts	Row with contacts	Row with contacts
ab	ab	ab	a	a	a
Order Code	Order Code	Order Code	Order Code	Order Code	Order Code
A1	A2	A3	A4	A5	A6

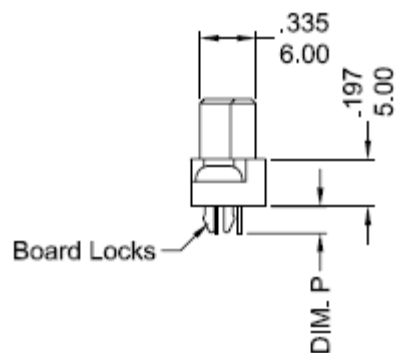
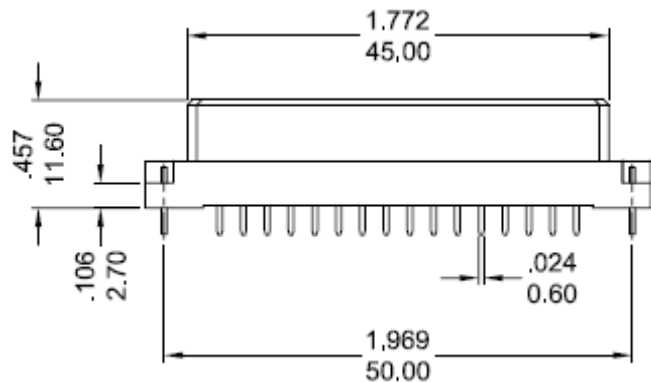
<b>DIN 41612 Connector Type B Half -Size</b>	
Part No.:	<b>T22010</b>
Customer:	

DRW:	Jason	CHKD	Wilson	MATL:	Wilson	TOLERANCE	Mason	DATE	13.05.2015
APPD:	Schumi			FINISH	Jamy		Sheet No.		2 from 5

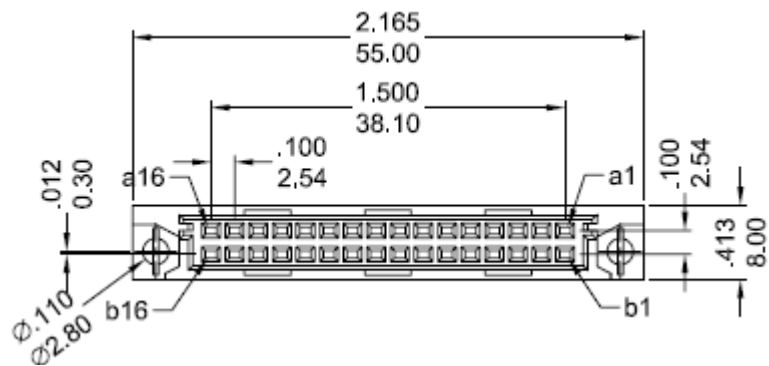
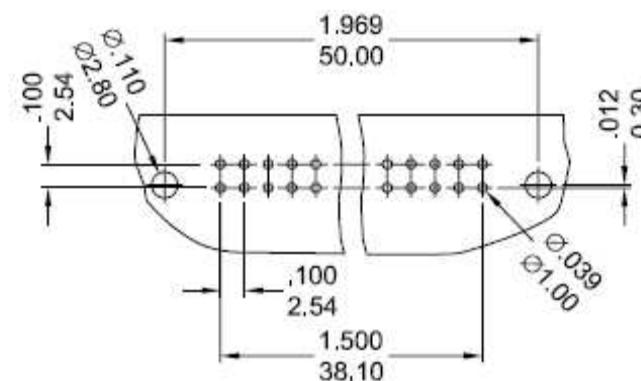
# EDCON-COMPONENTS



## Drawing



## PCB Layout



**DIN 41612 Connector Type B Half -Size**

Part No.: **T22010**

Customer:

DRW:	Jason	CHKD	Wilson	MATL:	Wilson	TOLERANCE	Mason	DATE	13.05.2015
APPD:	Schumi			FINISH	Jamy		Sheet No.	3 from 5	

# EDCON-COMPONENTS



## Ordering Informations

Serie	Number of Position	Contact Plating	Order Code Connecting	Special Festures	ROHS	Packing Code				
-------	--------------------	-----------------	-----------------------	------------------	------	--------------	--	--	--	--

<b>T22010</b>	<b>32</b>	<b>G0</b>	<b>A1</b>	<b>A</b>	<b>R</b>	<b>BU</b>				
---------------	-----------	-----------	-----------	----------	----------	-----------	--	--	--	--

<b>32=</b> 32Pos.	<b>TN=</b> Tin plated	<b>Ax=</b> look table	<b>A=</b> without Boardlock	<b>R=</b> ROHS Conform	<b>BU=</b> Bulk Ware
<b>16=</b> 16Pos.	<b>G0=</b> selectiv Gold flash				
	<b>GA=</b> selectiv 3μ Gold		<b>B=</b> with Boardlock		
	<b>GB=</b> selectiv 10μ Gold				

**DIN 41612 Connector Type  
B Half -Size**

Part No.: **T22010**

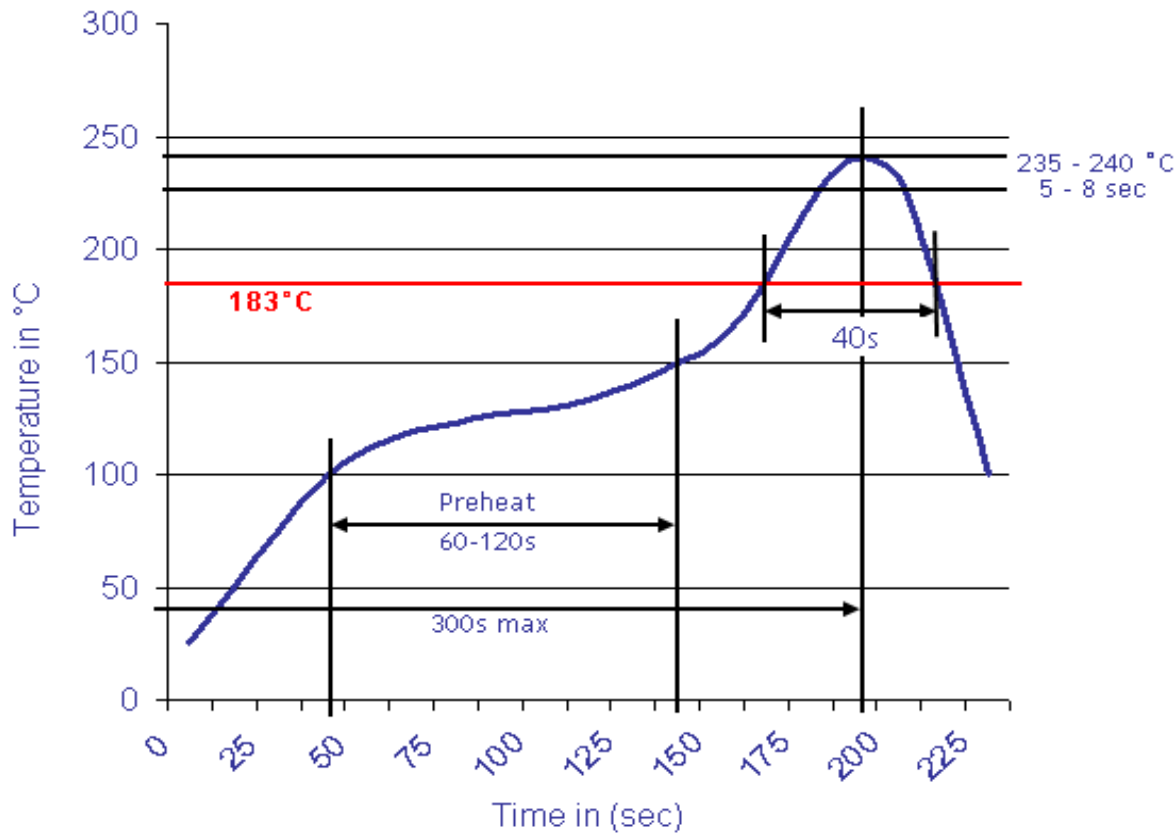
DRW:	Jason	CHKD	Wilson	MATL:	Wilson	TOLERANCE	Mason	DATE	13.05.2015
APPD:	Schumi			FINISH	Jamy		Sheet No.		4 from 5

Customer:



**Soldering Profile Curve**

**Classification Reflow Profile (JEDEC J-STD-020C)**



**DIN 41612 Connector Type  
B Half -Size**

Part No.: **T22010**

Customer:

DRW:	Jason	CHKD	Wilson	MATL:	Wilson	TOLERANCE	Mason	DATE	13.05.2015
APPD:	Schumi			FINISH	Jamy		Sheet No.	5 from 5	

