

EDCON-COMPONENTS



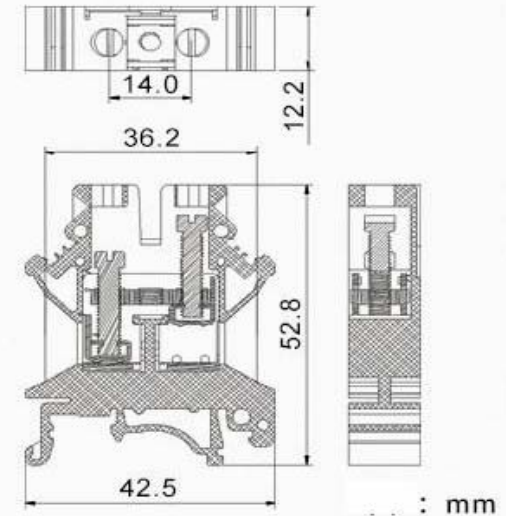
Technical Discription

Electrical

Rated Voltage	800Volt
Rated Current	76A
Solid Wire Range	2,5 ~ 16mm ²
Stranded Wire Range	4 ~ 16mm ²
Dimension	
Length	42,5mm
Thickness	12,2mm
Height	52,8mm
Rail-Type	U35-7.5
Screw	M4



UK16N ■■



DIN-RAIL-Terminal Block
Part No.: A31007
Customer:

DRW:	Jason	CHKD	Wilson	MATL:	Wilson	TOLERANCE	Mason	DATE	06.11.2014
APPD:	Schumi			FINISH	Jamy		Sheet No.	1 from 2	

www.edcon-components.com

email: info@edcon-components.com

EDCON-COMPONENTS



Ordering Informations

Serie	No. of Pos.	Body Color	Screw Type	ROHS	Packing					
A31007	01	GY	A	R	BU					

01 = Number of Pos.	GY = Gray (Standard)	A = Slotted Screw Type (Standard)	R = ROHS Conform	BU = Bulk-Ware
	BL = Blue		N = NON ROHS Conform	
			IV = Individual Package	

DIN-RAIL-Terminal Block
Part No.: A31007
Customer:

DRW:	Jason	CHKD	Wilson	MATL:	Wilson	TOLERANCE	Mason	DATE	06.11.2014
APPD:	Schumi			FINISH	Jamy			Sheet No.	2 from 2