

Data Sheet

Elevated Terminal Block

Pitch: 5,00 mm

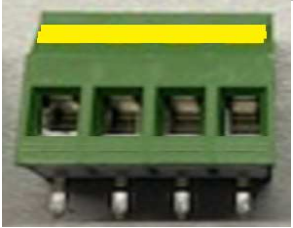
Serie: A13L059

Customer Information for special Item

EDCON Customer : 0

Customer Version No. : 0

EDCON-COMPONENTS



Technical Discription

Drawing (Dimension in mm)

Electrical

Rated Voltage	320 Volt
Rated Current	20A
Wire Range	
Solid Wire	AWG 12~26
Stranged Wire	AWG 12~26
Withstanding Voltage	2,0KV
Insulation Resistance	5000MΩ / 1000V

Mechanical

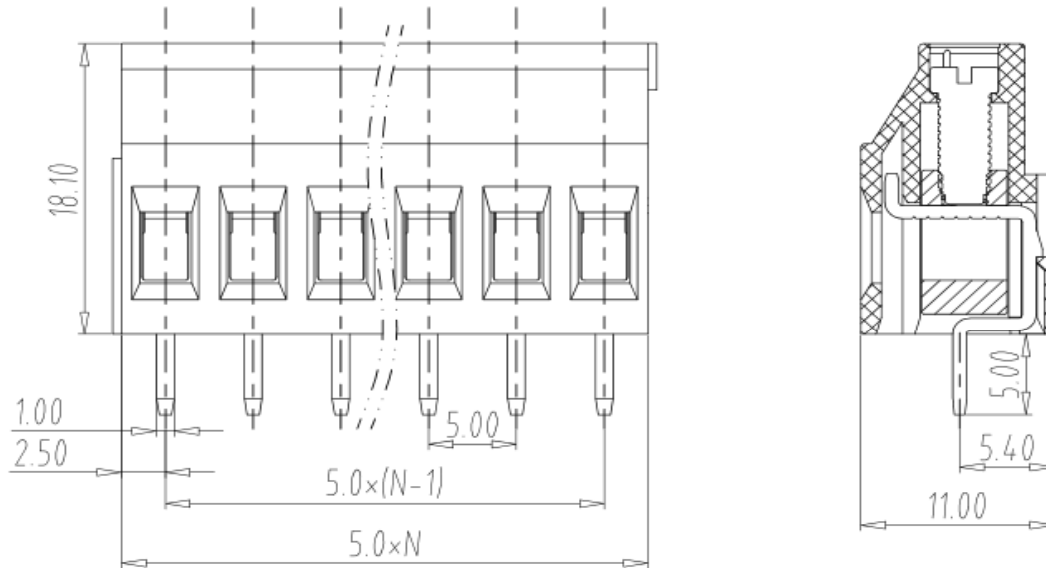
Operating Temperature	-40°C ~ +105°C
Wire Strip Length	7mm

Dimensions

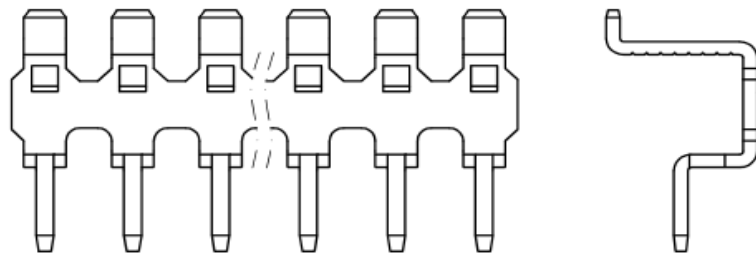
Pitch (mm)	5,00
Poles	2, 3, 4, 5, 6 Pos.

Materials

1 Terminal Housing	Thermoplastic (UL94V-0)
2 Clamp	Brass Ni, plated
4 Terminal screw	Steel Zinc plating
5 Terminal Housing Cover	PA66 (UL94V-0)



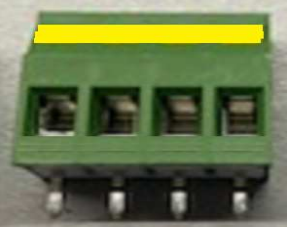
The view of Pin headers



Elevated Terminal Block	
Part No.:	A13L059
Customer:	

DRW:	Jason	CHKD	Wilson	MATL:	Wilson	TOLERANCE	Mason	DATE	16.02.2022
APPD:	Schumi			FINISH	Jamy		Sheet No.		1 from 4



EDCON-COMPONENTS



Ordering Informations

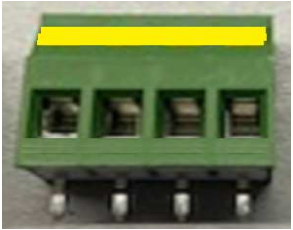
Serie	No. of Pos.	Body Color	No Function	Approval Code	ROHS	Packing	EDCON Cust. No.	Customer Version		
A13L059	02	PG	A	A	R	B				

Pitch
5,00

02= Number of Pos. Standard 2,3,4,5,6 Pos.	PG= Phoenix Green (Standard)	A= Slotted Screw Type (Standard) 	N= NON Approval A= UL /UR Approval Please consult EDCON for available	R= ROHS Conform N= NON ROHS Conform	B= Bulk-Ware I= Individual Package	xxxxxx= Customer Number	xxx= Customer Version ??(Printing)
		B= Cross Slotted Screw Type 	B= VDE Approval Please consult EDCON for available				
			C= TÜV Approval Please consult EDCON for available				

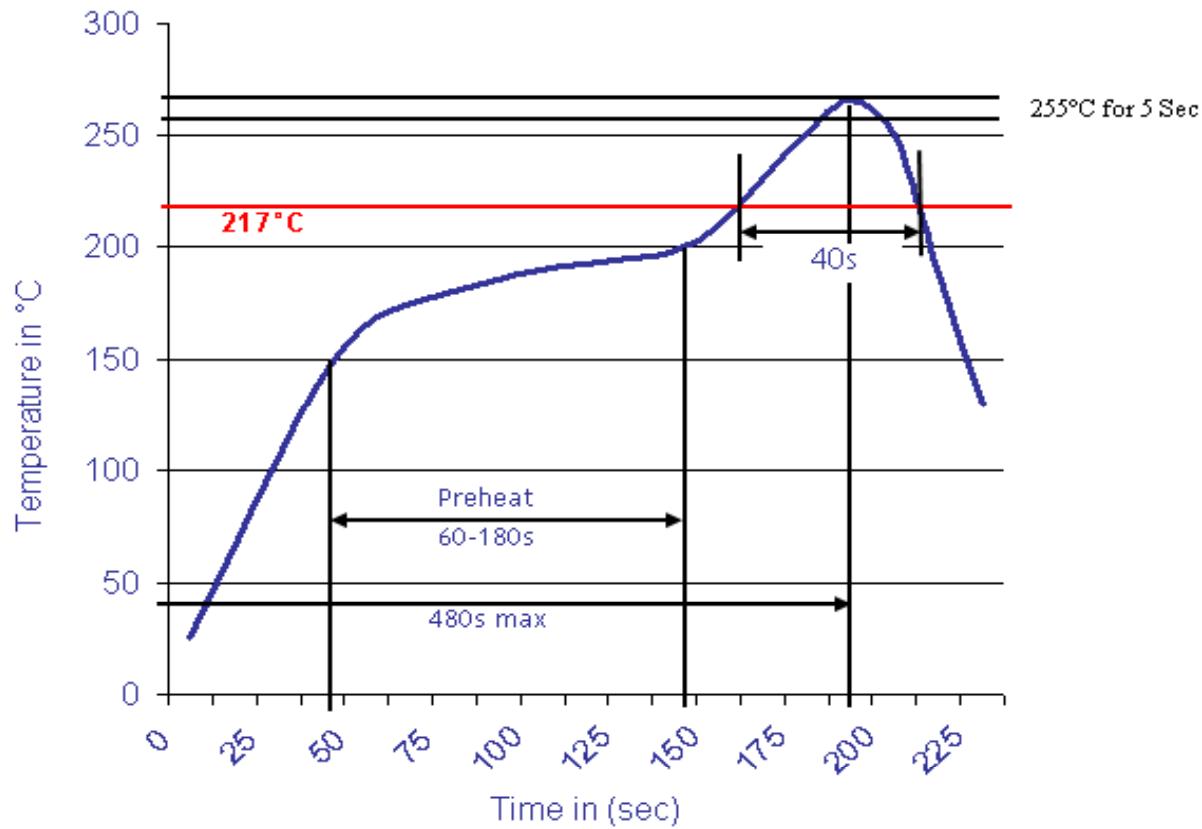
Elevated Terminal Block	
Part No.:	A13L059
Customer:	

DRW:	Jason	CHKD	Wilson	MATL:	Wilson	TOLERANCE	Mason	DATE	16.02.2022
APPD:	Schumi			FINISH	Jamy		Sheet No.		3 from 4



Soldering Profile Curve

Classification Reflow Profile (JEDEC J-STD-020C)



Elevated Terminal Block	
Part No.:	A13L059
Customer:	

DRW:	Jason	CHKD	Wilson	MATL:	Wilson	TOLERANCE	Mason	DATE	16.02.2022
APPD:	Schumi			FINISH	Jamy		Sheet No.	4 from 4	