

# Data Sheet

## Wire Protected Terminal Block

**Pitch: 3,50 mm**

**Serie: A12L023**

### Customer Information for special Item

**EDCON Customer : 0**

**Customer Version No. : 0**

# EDCON-COMPONENTS



## Technical Description

## Drawing (Dimension in mm)

### Electrical

Rated Voltage	300 Volt
Rated Current	10A
Wire Range	
Solid Wire	AWG 16~28
Stranded Wire	AWG 16~28
Withstanding Voltage	1,6KV/1Min.
Insulation Resistance	5000MΩ / 1000V

### Mechanical

Operating Temperature	-40°C ~ +115°C
Wire Strip Length	5~6mm

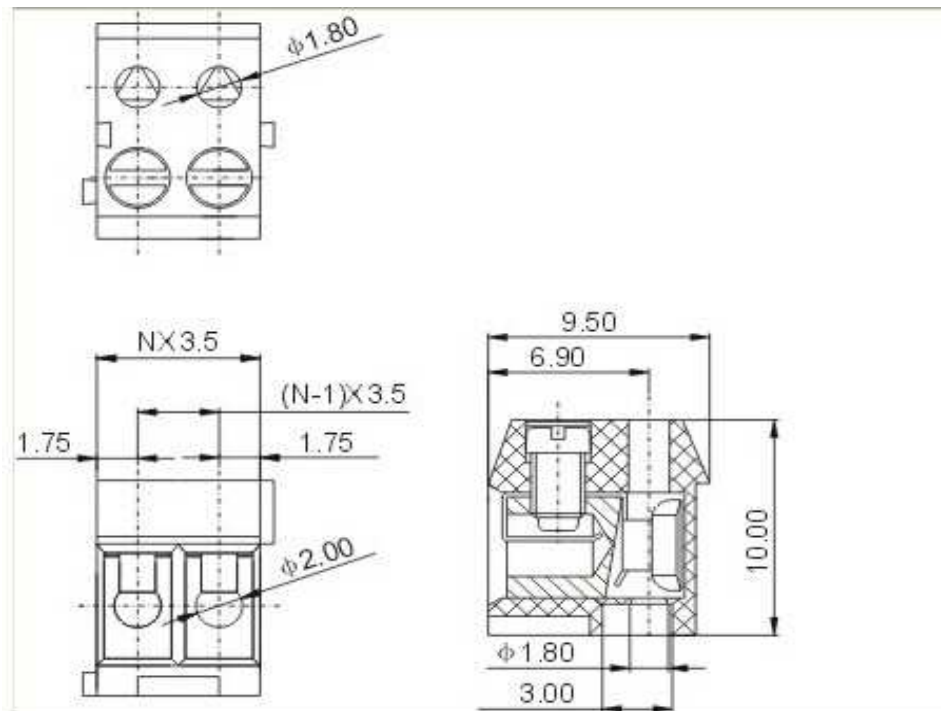
### Dimensions

Pitch (mm)	3,50
Poles	2 + 3Pos. ~ 24 Pos.

### Materials

Terminal Housing	Thermoplastic, UL94V-0
Clamp	Brass Ni, plated
Wire guard	Steel Zinc plating
Terminal screw	Steel Zinc plating

Mating Pin Diameter: 1,3mm round Pin



### Wire Protected Terminal Block

Part No.: **A12L023**

Customer:

DRW:	Jason	CHKD	Wilson	MATL:	Wilson	TOLERANCE	Mason	DATE	02.07.2015
APPD:	Schumi			FINISH	Jamy		Sheet No.		1 from 4

[www.edcon-components.com](http://www.edcon-components.com)

email: [info@edcon-components.com](mailto:info@edcon-components.com)

# EDCON-COMPONENTS



Customer Special Information (Picture, Drawing, Printing )

Dimensions (mm)

No. of Pos.	Nx P	Tol. A	(N-1)xP	Tol. B	
02	7,00	± 0,15	3,50	± 0,15	
03	10,50	± 0,15	7,00	± 0,15	
04	14,00	± 0,15	10,50	± 0,15	
05	17,50	± 0,15	14,00	± 0,15	
06	21,00	± 0,15	17,50	± 0,15	
07	24,50	± 0,25	21,00	± 0,25	
08	28,00	± 0,25	24,50	± 0,25	
09	31,50	± 0,25	28,00	± 0,25	
10	35,00	± 0,25	31,50	± 0,25	
11	38,50	± 0,25	35,00	± 0,25	
12	42,00	± 0,25	38,50	± 0,25	
13	45,50	± 0,35	42,00	± 0,35	
14	49,00	± 0,35	45,50	± 0,35	
15	52,50	± 0,35	49,00	± 0,35	
16	56,00	± 0,35	52,50	± 0,35	
17	59,50	± 0,35	56,00	± 0,35	
18	63,00	± 0,35	59,50	± 0,35	
19	66,50	± 0,35	63,00	± 0,35	
20	70,00	± 0,40	66,50	± 0,40	
21	73,50	± 0,40	70,00	± 0,40	
22	77,00	± 0,40	73,50	± 0,40	
23	80,50	± 0,40	77,00	± 0,40	
24	84,00	± 0,40	80,50	± 0,40	

**Wire Protected Terminal Block**

Part No.: **A12L023**

DRW:	Jason	CHKD	Wilson	MATL:	Wilson	TOLERANCE	Mason	DATE	02.07.2015
APPD:	Schumi			FINISH	Jamy		Sheet No.		2 from 4

Customer:

[www.edcon-components.com](http://www.edcon-components.com)

email: [info@edcon-components.com](mailto:info@edcon-components.com)

# EDCON-COMPONENTS





## Ordering Informations

Serie	No. of Pos.	Body Color	No Function	Approval Code	ROHS	Packing	EDCON Cust. No.	Customer Version		
-------	-------------	------------	-------------	---------------	------	---------	-----------------	------------------	--	--

<b>A12L023</b>	<b>02</b>	<b>BL</b>	<b>A</b>	<b>N</b>	<b>R</b>	<b>B</b>				
----------------	-----------	-----------	----------	----------	----------	----------	--	--	--	--

Pitch  
3,50

02= Number of Pos. Standard 2 + 3Pos-	PG= Phoenix Green (Standard)	A= Slotted Screw Type (Standard) 	N= NON Approval A= UL /UR Approval Please consult EDCON for available	R= ROHS Conform N= NON ROHS Conform	B= Bulk-Ware I= Individual Package	xxxxxx= Customer Number	xxx= Customer Version ??(Printing)
	WH= White						
Max. 24 Pos.	GN= Green	B= Cross Slotted Screw Type 	B= VDE Approval Please consult EDCON for available	C= TÜV Approval Please consult EDCON for available			
	GY= Gray						
	LG= Light Gray						
	OR= Orange						
	BL= Blue						
BK= Black							

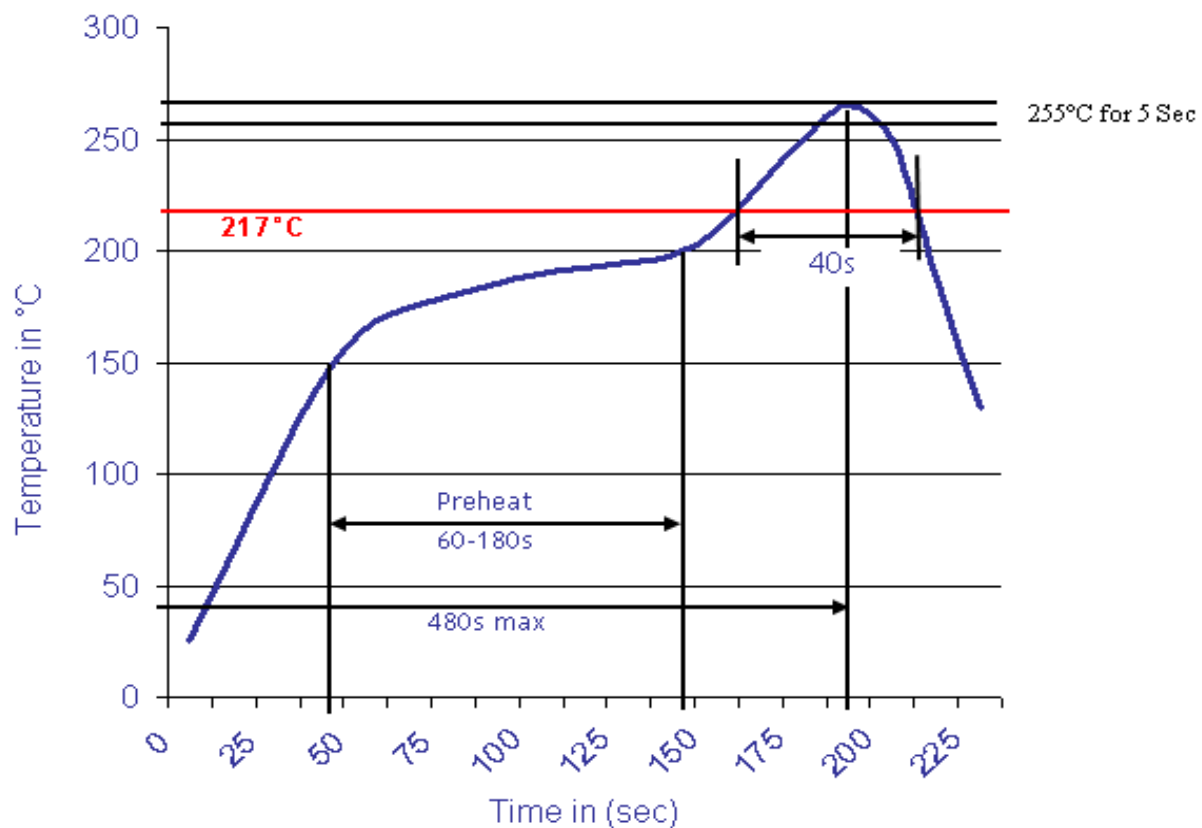
Wire Protected Terminal Block	
Part No.:	<b>A12L023</b>
Customer:	

DRW:	Jason	CHKD	Wilson	MATL:	Wilson	TOLERANCE	Mason	DATE	02.07.2015
APPD:	Schumi			FINISH	Jamy		Sheet No.		3 from 4



Soldering Profile Curve

Classification Reflow Profile (JEDEC J-STD-020C)



<b>Wire Protected Terminal Block</b>	
Part No.:	<b>A12L023</b>
Customer:	

DRW:	Jason	CHKD	Wilson	MATL:	Wilson	TOLERANCE	Mason	DATE	02.07.2015
APPD:	Schumi			FINISH	Jamy		Sheet No.		4 from 4