



Technical Spezification

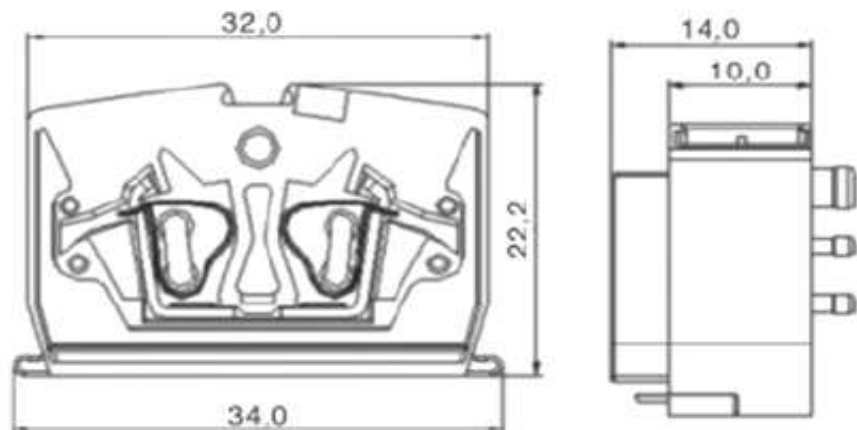
Modular rail-mounted terminal blocks, 4-conductors middle(center) modular terminal blocks, front-entry wire connection connectors

Conductors	4
Wire Range:	0,2~2,5mm"
Wire Range	24~12 AWG
Rated Voltage:	800V (IEC), 600V(UL)
Rated Current:	24A(IEC) 20A(UL)
Insulating Material:	Nylon PA66 (UL94,V-0 or V-2)
Spring Cage Materials:	Spring Steel
Stripping Length:	8~9mm / 0,33

Dimension

Thickness:	14mm
Width:	32,0mm
Height:	22,2mm
Color of Body:	Gray, Orange, Light Gray, Blue, Gren-Yellow

Drawing



Ordering Information

Serie	Color of Body	ROHS	Packing			
A29065	GY	R	BX			

GY= Gray	R= ROHS Conform	BU= Bulk-Ware
OR= Orange		
LG= Light gray	N= NON ROHS Conform	BX= Box Packing
BL= Blue		
GY= Green Yellow		IV= Individuel Packing

Mini Terminal Block	
Part No.:	A29065
Customer:	

DRW:	Jason	CHKD	Wilson	MATL:	Wilson	DATE	18.08.2011
APPD:	Schumi			FINISH	Jamy	Sheet	1 from 1

