



Technical Spezification

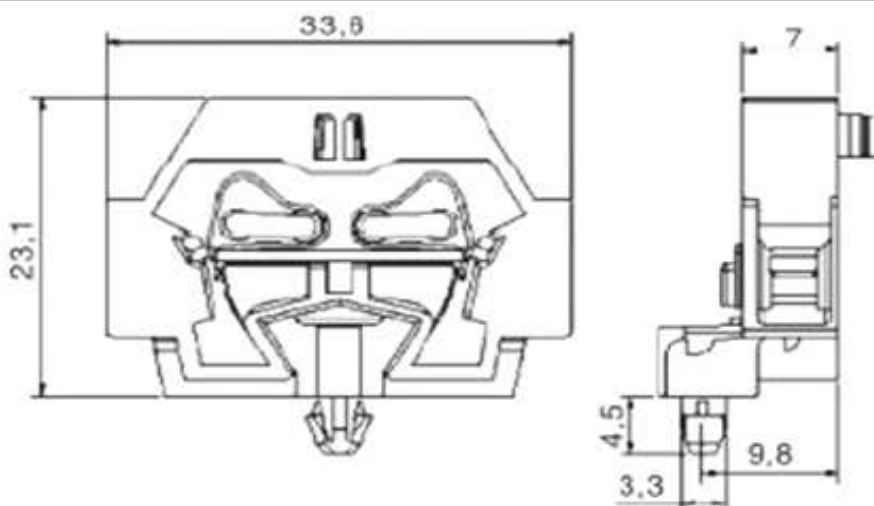
wago modular connectors, 2-conductors with snap-in mounting feet, side entry mini modular connectors with spring cage clamp

Conductors	2
Wire Range:	0,2~4,0mm"
Wire Range	24~12 AWG
Rated Voltage:	630V (IEC), 300V(UL)
Rated Current:	24A(IEC) 20A(UL)
Insulating Material:	Nylon PA66 (UL94,V-0 or V-2)
Spring Cage Materials:	Spring Steel
Stripping Length:	9~10mm / 0,37

Dimension

Thickness:	7mm
Width:	33,6mm
Height:	23,1mm
Color of Body:	Gray, Orange, Light Gray, Blue, Gren-Yellow

Drawing



Ordering Information

Serie	Color of Body	ROHS	Packing			
A29056	GY	R	BX			

GY = Gray	R = ROHS Conform	BU = Bulk-Ware
OR = Orange	N = NON ROHS Conform	BX = Box Packing
LG = Light gray		
BL = Blue		IV = Individual Packing
GY = Green Yellow		

Mini Terminal Block	
Part No.:	A29056
Customer:	

DRW:	Jason	CHKD	Wilson	MATL:	Wilson	DATE	18.08.2011
APPD:	Schumi			FINISH	Jamy	Sheet	1 from 1

