



Technical Spezification

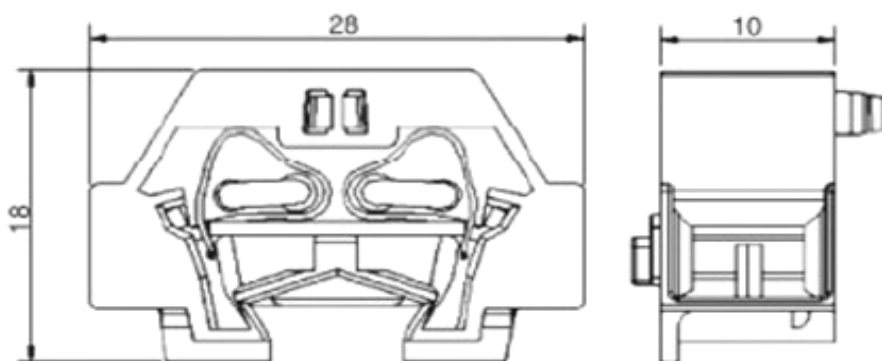
Mini modular terminal strips, 4-conductor of end cover mini modular terminal strips, and equivalent with WAGO 261 series

Conductors	4
Wire Range:	0,2~2,5mm"
Wire Range	24~14 AWG
Rated Voltage:	500V (IEC), 300V(UL)
Rated Current:	24A(IEC) 15A(UL)
Insulating Material:	Nylon PA66 (UL94,V-0 or V-2)
Spring Cage Materials:	Spring Steel
Stripping Length:	8~9mm / 0,33

Dimension

Thickness:	6mm
Width:	28,0mm
Height:	18,0mm
Color of Body:	Gray, Orange, Light Gray, Blue, Gren-Yellow

Drawing



Ordering Information

Serie	Color of Body	ROHS	Packing			
A29053	GY	R	BX			

GY= Gray	R= ROHS Conform	BU= Bulk-Ware
OR= Orange	N= NON ROHS Conform	BX= Box Packing
LG= Light gray		
BL= Blue		IV= Individuel Packing
GY= Green Yellow		

Mini Terminal Block	
Part No.:	A29053
Customer:	

DRW:	Jason	CHKD	Wilson	MATL:	Wilson	DATE	18.08.2011
APPD:	Schumi			FINISH	Jamy	Sheet	1 from 1

