



Technical Spezification

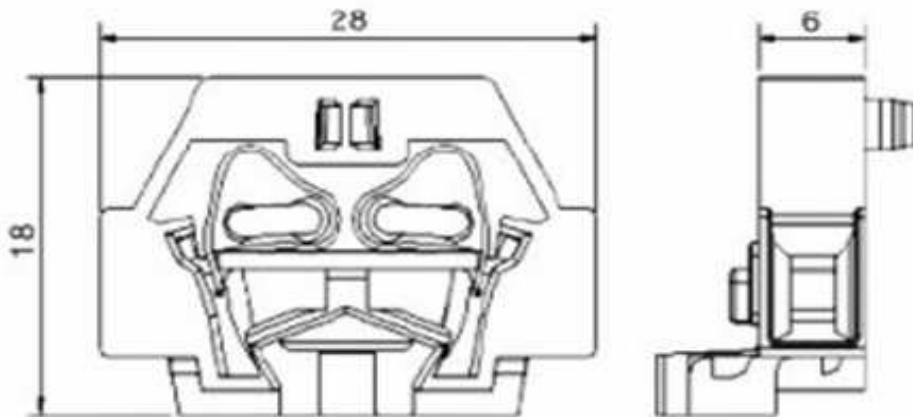
Miniature of wago style terminals, 2 conductors with fixing flanges, side entry miniature terminal blocks

| | |
|------------------------|------------------------------|
| Conductors | 2 |
| Wire Range: | 0,2~2,5mm" |
| Wire Range | 24~14 AWG |
| Rated Voltage: | 500V (IEC), 300V(UL) |
| Rated Current: | 24A(IEC) 15A(UL) |
| Insulating Material: | Nylon PA66 (UL94,V-0 or V-2) |
| Spring Cage Materials: | Spring Steel |
| Stripping Length: | 8~9mm / 0,33 |

Dimension

| | |
|----------------|---------------------------------------------|
| Thickness: | 6,0mm |
| Width: | 28,0mm |
| Height: | 18,0mm |
| Color of Body: | Gray, Orange, Light Gray, Blue, Gren-Yellow |

Drawing



Ordering Information

| | | | | | | |
|---------------|---------------|----------|-----------|--|--|--|
| Serie | Color of Body | ROHS | Packing | | | |
| A29048 | GY | R | BX | | | |

| | | |
|-------------------------|----------------------------|-------------------------------|
| GY= Gray | R= ROHS Conform | BU= Bulk-Ware |
| OR= Orange | N= NON ROHS Conform | BX= Box Packing |
| LG= Light gray | | |
| BL= Blue | | IV= Individuel Packing |
| GY= Green Yellow | | |

| | |
|----------------------------|---------------|
| Mini Terminal Block | |
| Part No.: | A29048 |
| Customer: | |

| | | | | | | | |
|-------|--------|------|--------|--------|--------|-------|------------|
| DRW: | Jason | CHKD | Wilson | MATL: | Wilson | DATE | 18.08.2011 |
| APPD: | Schumi | | | FINISH | Jamy | Sheet | 1 from 1 |

