

EDCON-COMPONENTS



Technical Discription

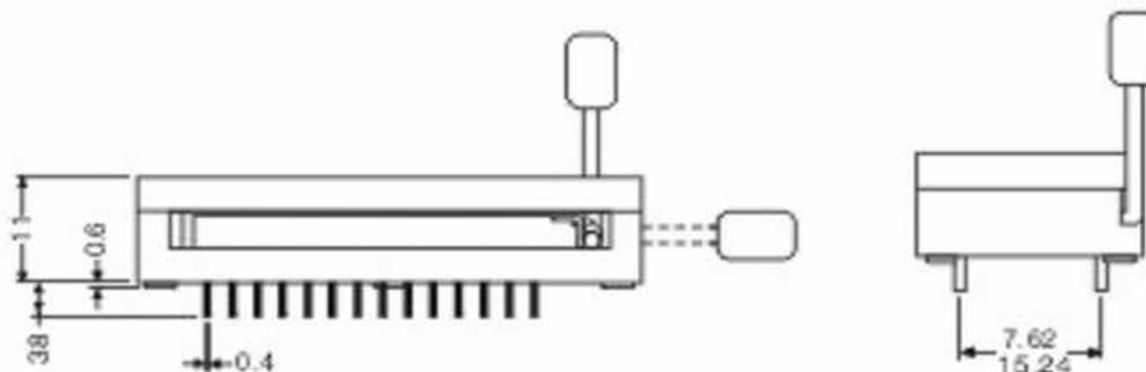
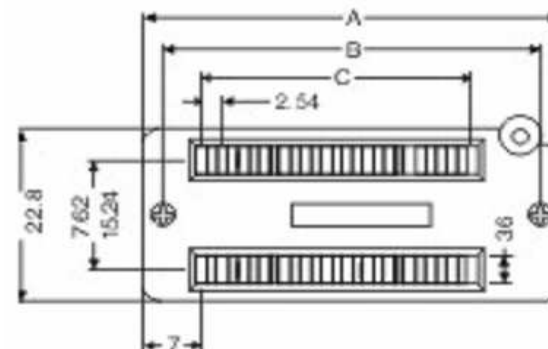
Material:
 Housing: 30% Glass filled PBT UL94V-0
 Contacts: Phosphor Bronze
 Plating: Gold Plated 3 μ over 50 μ Nickel
 Tin Plated 100 μ over 50 μ Nickel

Electrical Characteristics:
 Current Rating: 1Amp.
 Insulator Resistance: 5000M Ω min, at DC 500V.
 Contact Resistance: 20m Ω max, at DC100mA
 Operating Temperature: . -55 $^{\circ}$ C ~ + 105 $^{\circ}$ C

Features:
 For DIP with 100% lead spacing
 Lever actuated zero insertion force mechanismus
 Socket easily disemplies for repairability.
 Socket contact point of 110 $^{\circ}$ below top surface of socket

Dimension in (mm)			
Position	A	B	C
14	33,2	28,7	15,2
16	35,7	31,2	17,8
20	40,8	36,3	22,9
24	45,9	41,4	27,9
24	45,9	41,4	27,9
28	51,0	46,5	33,0
32	56,1	51,6	38,1
40	66,2	61,7	48,3
48	76,4	71,9	58,4
64	100,4	94,8	78,8

Drawing



**ZIP-DIP-Socket Type 1
Pitch 2,54mm**

Part No.:

Customer:

DRW:	Jason	CHKD	Wilson	MATL:	Wilson	TOLERANCE	Mason	DATE	10.09.2011
APPD:	Schumi			FINISH	Jamy		Sheet No.	1 from 2	

EDCON-COMPONENTS



Ordering Informations

Terminal

Serie	No. Of Pos.	Lead space	Contact Plating	Body Color	ROHS	Packing
T72001	14	3	TN	GN	R	TY
	14= 14Pos.	3= Pitch 7,62mm	TN= Tin plated	GN= Green	R= ROHS Conform	TY= Tray
		6= Pitch 15,24mm	G0= Gold plated	BL= Blue	N= NON ROHS Conform	TU= Tube
			BK= Black			

**ZIP-DIP-Socket Type 1
Pitch 2,54mm**

Part No.: **T72001**

DRW:	Jason	CHKD	Wilson	MATL:	Wilson	TOLERANCE	Mason	DATE	10.09.2011	Customer:
APPD:	Schumi			FINISH	Jamy		Sheet No.	2 from 2		