



DATA SHEET

THT Battery Holder Type 14250 1/2AA One Cell

Serie: B44010

THT Battery Holder Type 14250 1/2AA One Cell	
Serie No.:	B44010
Customer:	

DRW:	Jason	CHKD	Wilson	MATL:	Wilson	TOLERANCE	Mason	DATE	28.02.2017
APPD:	Schumi			FINISH	Jamy		Sheet No.	1 from 5	

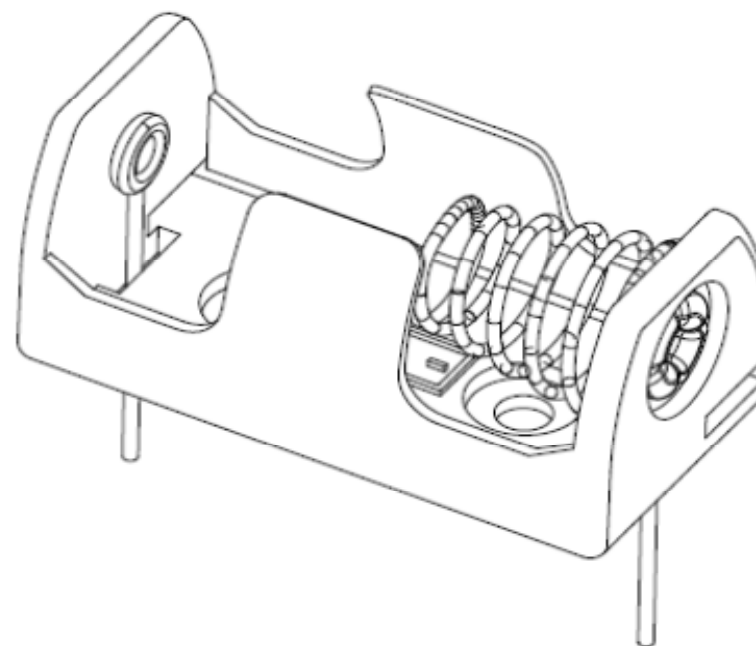
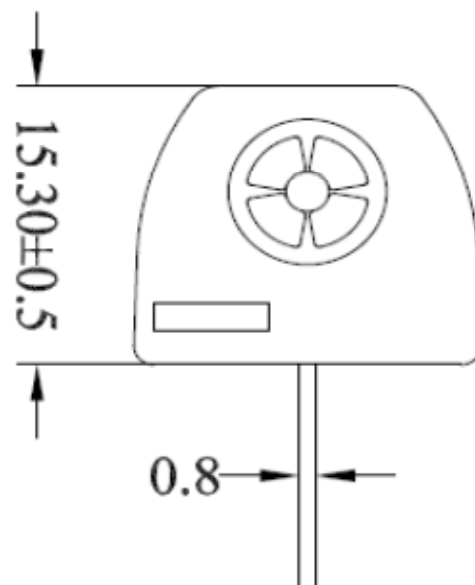
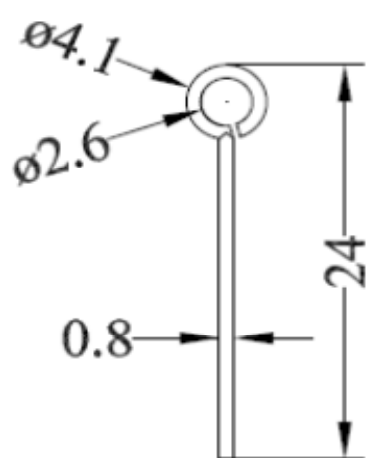
EDCON-COMPONENTS



Technical Description

Type: One Cell
 Material Base: PP Resign Black
 Flammability Rating: UL94-HB
 Temperature Range: . -10°C to +100°C
 PCB Pins: D=0,8mm*24mm Brass, Nickel Plated
 Spring: 0,65mm 65C Spring Wire, Ncikel Plated
 Rivets: Brass, Nickel Plated

Technical Drawing



THT Battery Holder Type 14250	
1/2AA One Cell	
Part No.:	B44010
Customer:	

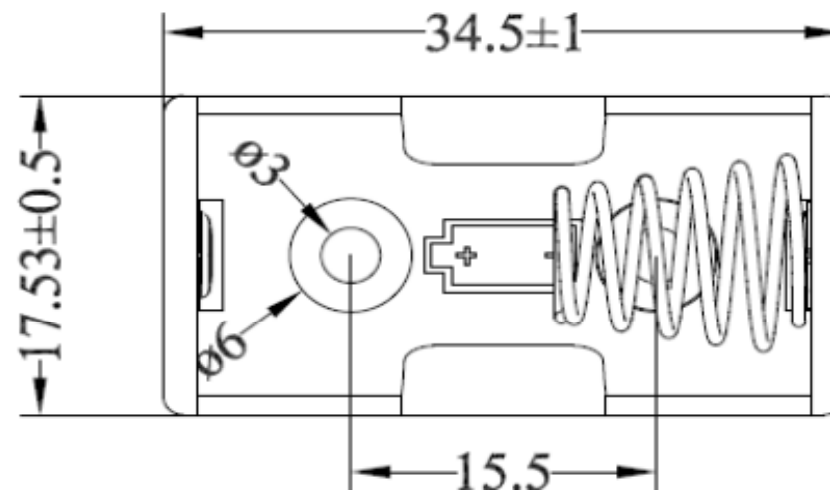
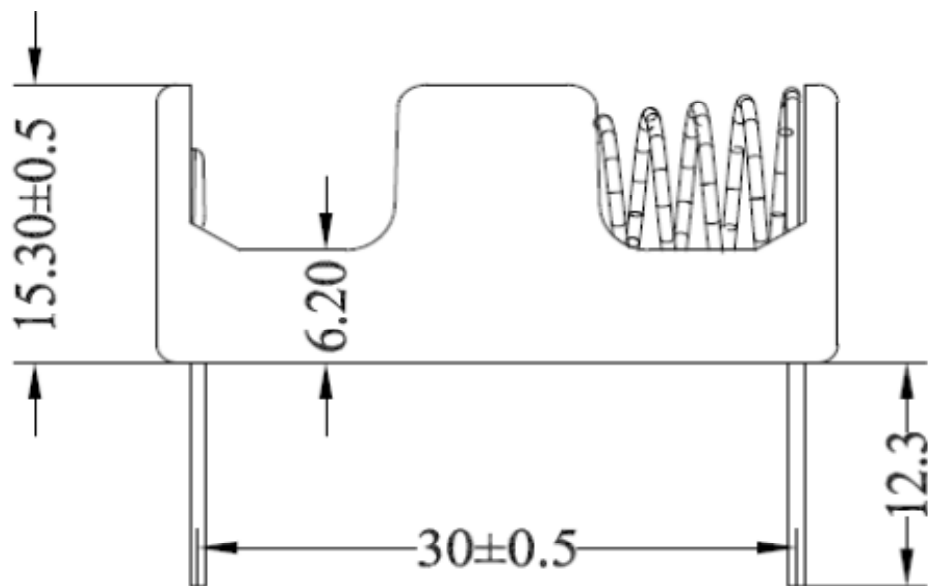
DRW:	Jason	CHKD	Wilson	MATL:	Wilson	TOLERANCE	Mason	DATE	28.02.2017
APPD:	Schumi			FINISH	Jamy		Sheet No.	2 from 5	

EDCON-COMPONENTS



Technical Drawing

PCB Layout



**THT Battery Holder Type 14250
1/2AA One Cell**

Part No.: **B44010**

Customer:

DRW:	Jason	CHKD	Wilson	MATL:	Wilson	TOLERANCE	Mason	DATE	28.02.2017
APPD:	Schumi			FINISH	Jamy		Sheet No.	3 from 5	

www.edcon-components.com

email: info@edcon-components.com

EDCON-COMPONENTS



Ordering Informations

Customer	Number of Cell	ROHS	Packing Code							
----------	----------------	------	--------------	--	--	--	--	--	--	--

B44010	-	A	R	TY						
---------------	---	----------	----------	-----------	--	--	--	--	--	--

A= One Cell	R= ROHS Conform	TY= Tray Package
	N= NON ROHS Conform	IV= Individuall Package

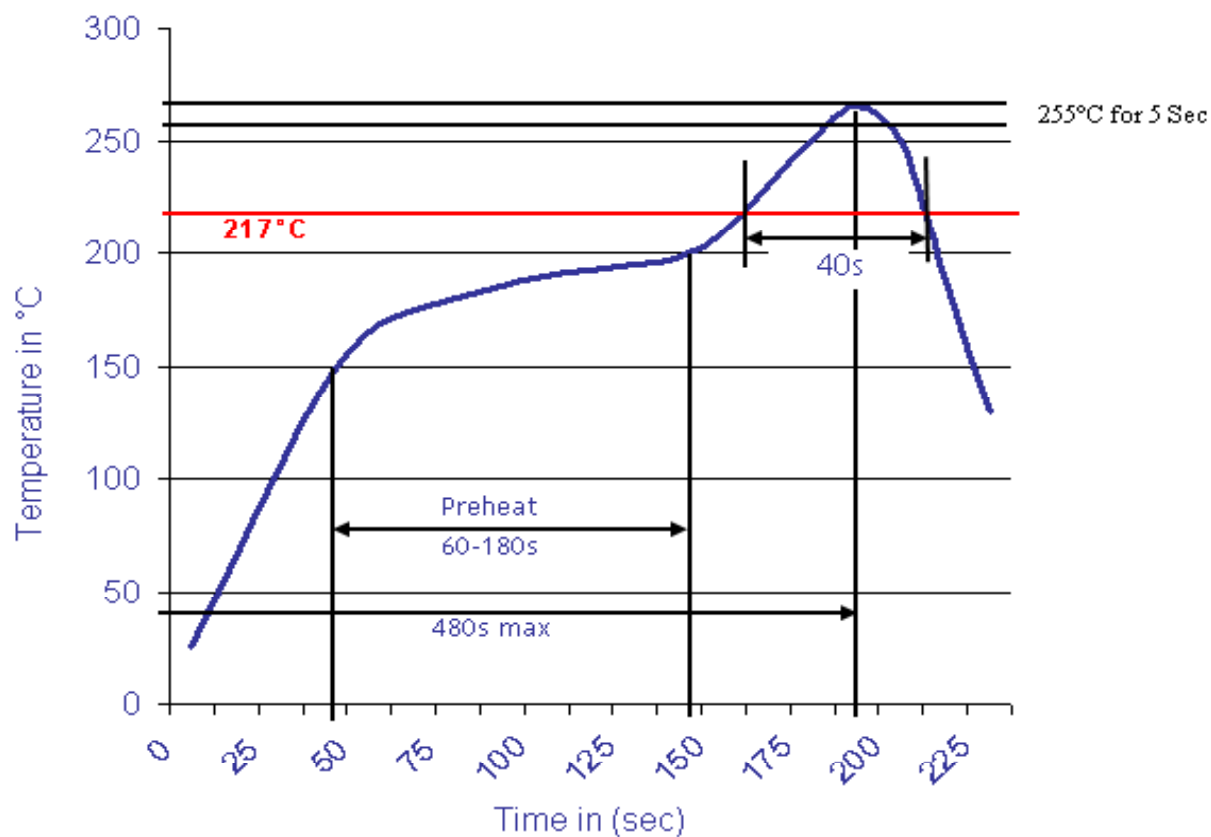
THT Battery Holder Type 14250 1/2AA One Cell	
Part No.:	B44010
Customer:	

DRW:	Jason	CHKD	Wilson	MATL:	Wilson	TOLERANCE	Mason	DATE	28.02.2017
APPD:	Schumi			FINISH	Jamy		Sheet No.		4 from 5



Soldering Profile Curve

Classification Reflow Profile (JEDEC J-STD-020C)



**THT Battery Holder Type 14250
1/2AA One Cell**

Part No.: **B44010**

DRW:	Jason	CHKD	Wilson	MATL:	Wilson	TOLERANCE	Mason	DATE	28.02.2017
APPD:	Schumi			FINISH	Jamy		Sheet No.	5 from 5	

Customer:

