



DATA SHEET

THT Battery Holder Type 14250 One Cell

Serie: B44009

**THT Battery Holder Type 14250
One Cell**

Serie No.: **B44009**

DRW:	Jason	CHKD	Wilson	MATL:	Wilson	TOLERANCE	Mason	DATE	28.02.2017	Customer:
APPD:	Schumi			FINISH	Jamy		Sheet No.	1 from 5		

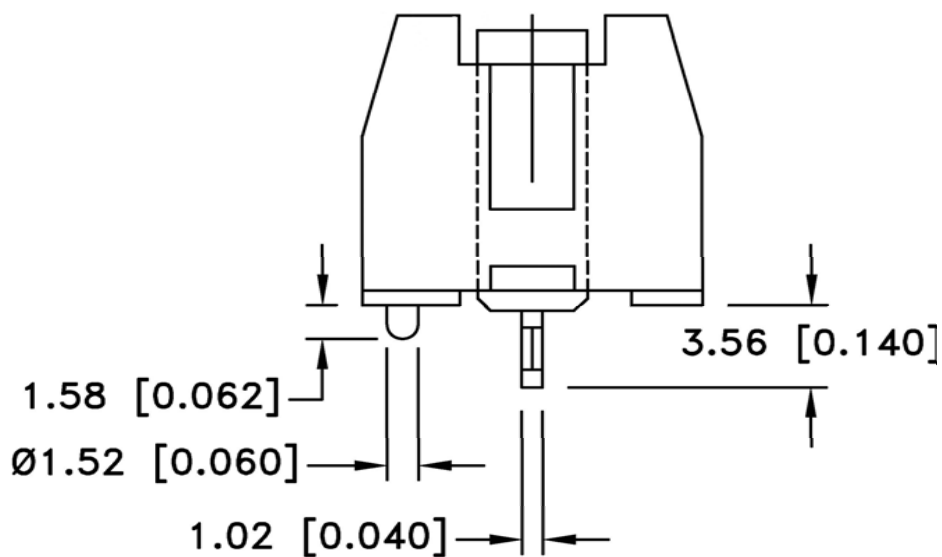
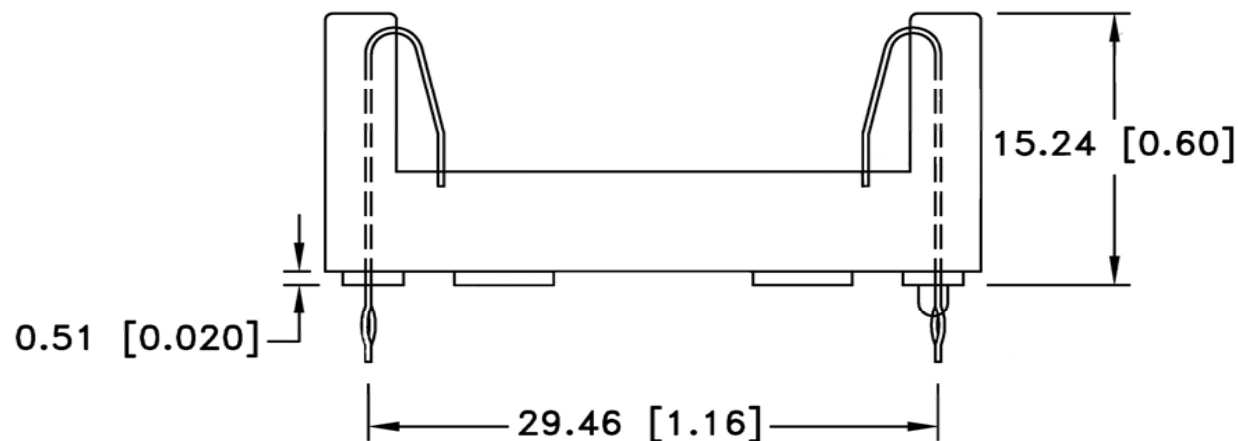
EDCON-COMPONENTS



Technical Description

Type:	One Cell
Material Base:	ABS Resin black colour
Contact Material:	302 Spring Temper stainless Steel Nickel Plated Overall
Temperatur Range:	- 40°C to +100°C
Polarisation Peg:	Yes

Technical Drawing



THT Battery Holder Type 14250 One Cell	
Part No.:	B44009
Customer:	

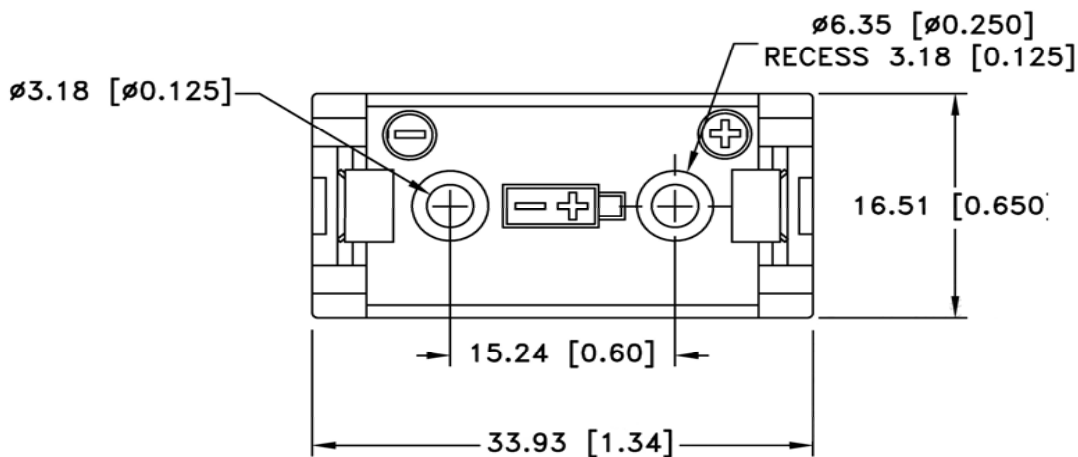
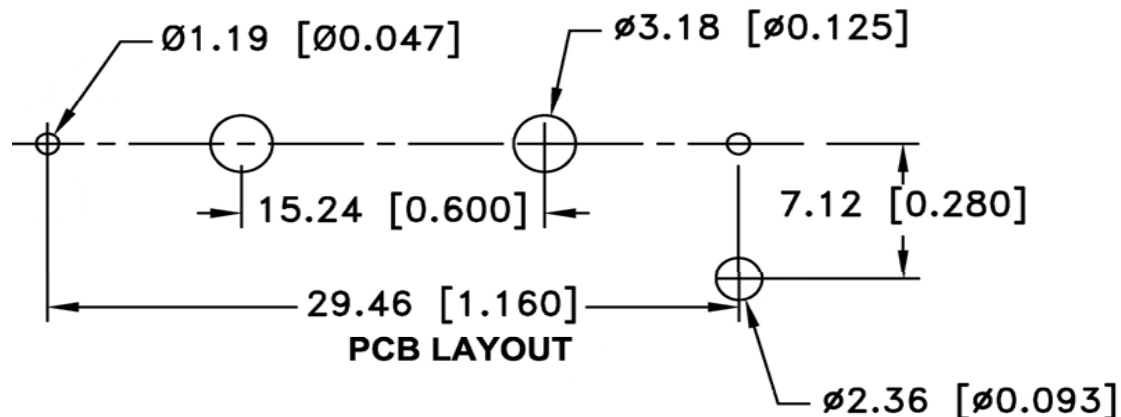
DRW:	Jason	CHKD	Wilson	MATL:	Wilson	TOLERANCE	Mason	DATE	28.02.2017
APPD:	Schumi			FINISH	Jamy		Sheet No.	2 from 5	

EDCON-COMPONENTS

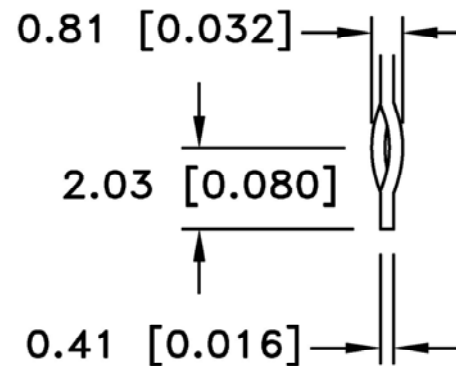


Technical Drawing

PCB Layout



CONTACT DETAIL BEFORE TIN DIP



THT Battery Holder Type 14250
One Cell

Part No.: **B44009**

Customer:

DRW:	Jason	CHKD	Wilson	MATL:	Wilson	TOLERANCE	Mason	DATE	28.02.2017
APPD:	Schumi			FINISH	Jamy		Sheet No.	3 from 5	

EDCON-COMPONENTS



Ordering Informations

Customer	Number of Cell	ROHS	Packing Code							
----------	----------------	------	--------------	--	--	--	--	--	--	--

B44009	-	A	R	TY						
---------------	---	----------	----------	-----------	--	--	--	--	--	--

A= One Cell	R= ROHS Conform	TY= Tray Package
	N= NON ROHS Conform	IV= Individuall Package

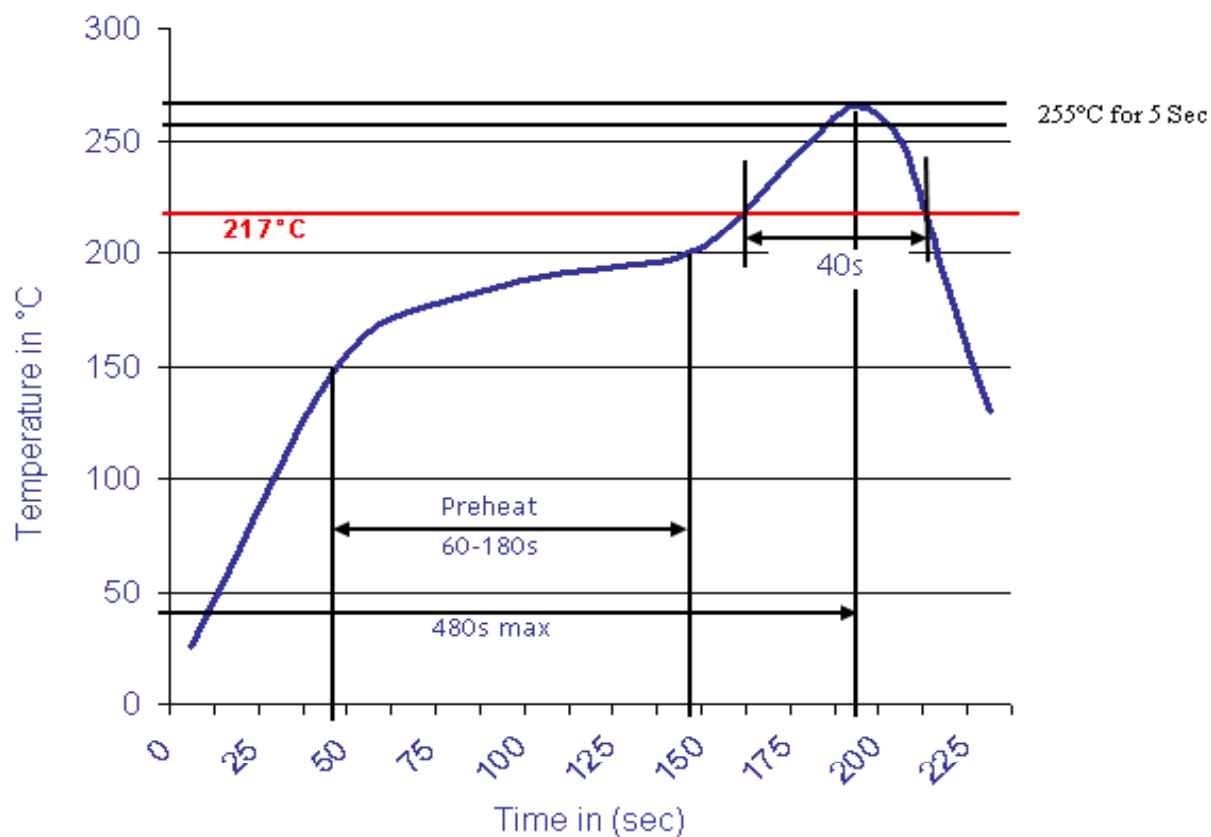
THT Battery Holder Type 14250 One Cell	
Part No.:	B44009
Customer:	

DRW:	Jason	CHKD	Wilson	MATL:	Wilson	TOLERANCE	Mason	DATE	28.02.2017
APPD:	Schumi			FINISH	Jamy		Sheet No.		4 from 5



Soldering Profile Curve

Classification Reflow Profile (JEDEC J-STD-020C)



THT Battery Holder Type 14250
One Cell

Part No.: **B44009**

DRW:	Jason	CHKD	Wilson	MATL:	Wilson	TOLERANCE	Mason	DATE	28.02.2017
APPD:	Schumi			FINISH	Jamy		Sheet No.	5 from 5	

Customer:

