



DATA SHEET

PCB Batteryholder for 4PCS 18650 CELL

Serie: B44007

**PCB Batteryholder for
4PCS 18650 CELL**

Serie No.: **B44007**

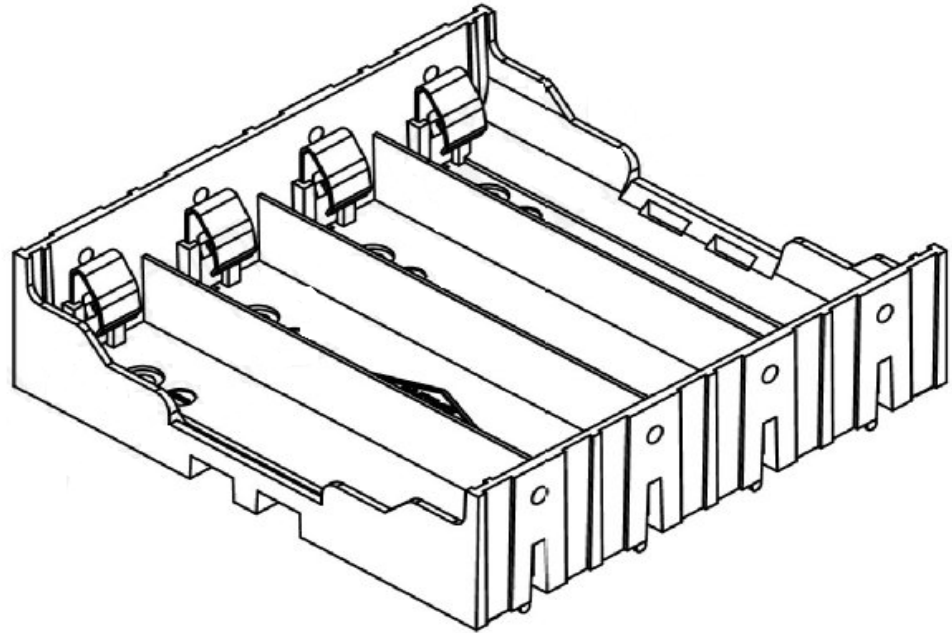
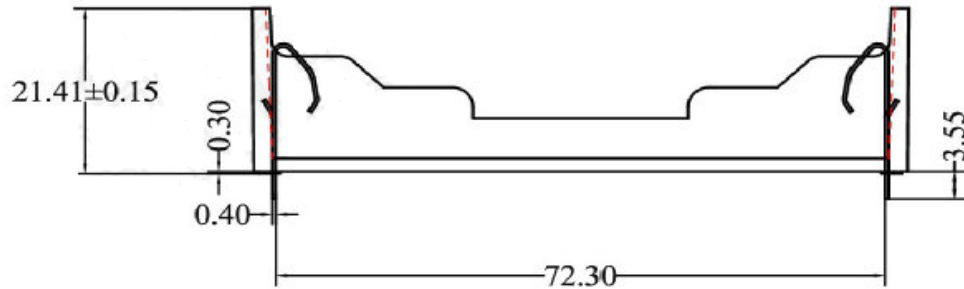
Customer:

DRW:	Jason	CHKD	Wilson	MATL:	Wilson	TOLERANCE	Mason	DATE	26.08.2019
APPD:	Schumi			FINISH	Jamy		Sheet No.	1 from 5	



Technical Description

Connecting Type: PCB-Solder Pin
 Base Material: ABS, Resin
 Base Colour: Black
 Flammability Rating: UL94HB or Custom Made
 Contact: 304 Stainless Steel Spring, Nickel Plated
 Dielectric Strength: 560 Volts /Mil. At 25°C for 5 Sec
 Weight : 13,8gr.
 Output: 3,7VDC



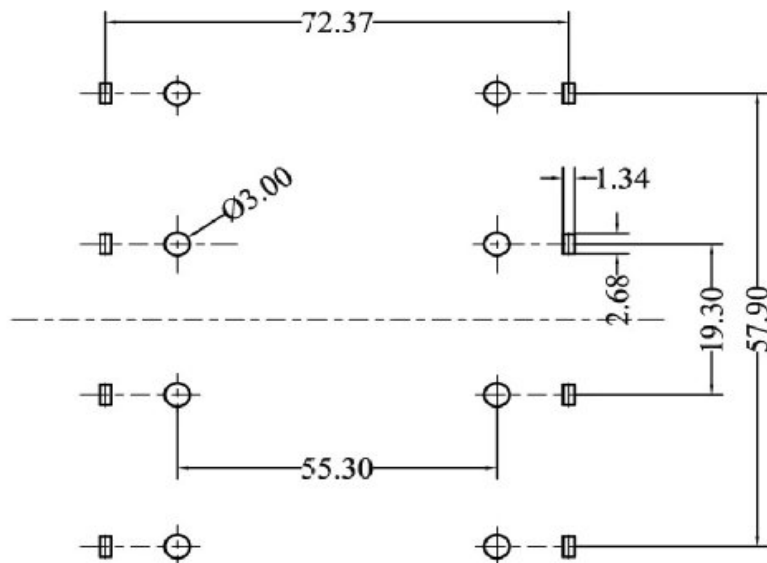
**PCB Batteryholder for
4PCS 18650 CELL**

Part No.: **B44007**

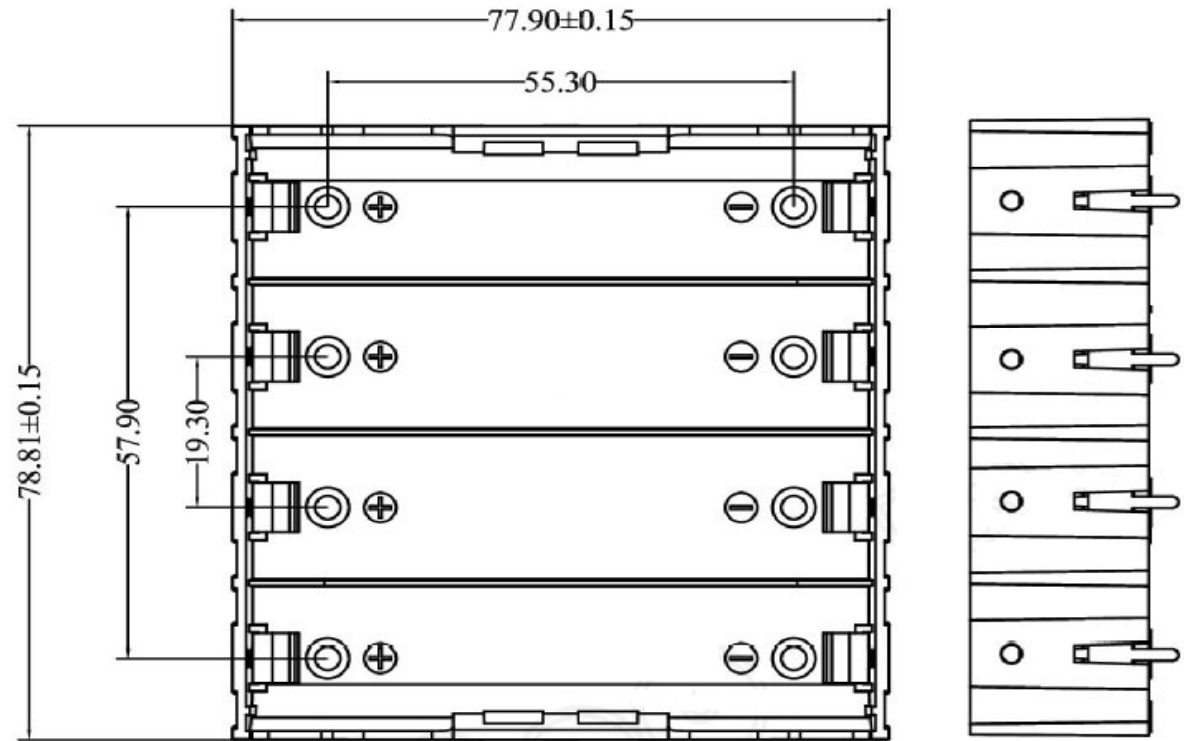
DRW:	Jason	CHKD	Wilson	MATL:	Wilson	TOLERANCE	Mason	DATE	26.08.2019
APPD:	Schumi			FINISH	Jamy		Sheet No.		2 from 5

Customer:

EDCON-COMPONENTS



PCB-Layout



**PCB Batteryholder for
4PCS 18650 CELL**

Part No.: **B44007**

DRW:	Jason	CHKD	Wilson	MATL:	Wilson	TOLERANCE	Mason	DATE	20.05.2014
APPD:	Schumi			FINISH	Jamy		Sheet No.	3 from 5	

Customer:

EDCON-COMPONENTS



Ordering Informations

Customer	Type of Holder	Special function	Special function	ROHS	Packing Code					
----------	----------------	------------------	------------------	------	--------------	--	--	--	--	--

B44007	-	PC	N	N	R	TY				
---------------	---	-----------	----------	----------	----------	-----------	--	--	--	--

PC = PCB Solder Pin			R= ROHS Conform	TY= Tray Package
	N= No special function	N= No special function	N= NON ROHS Conform	

**PCB Batteryholder for
4PCS 18650 CELL**

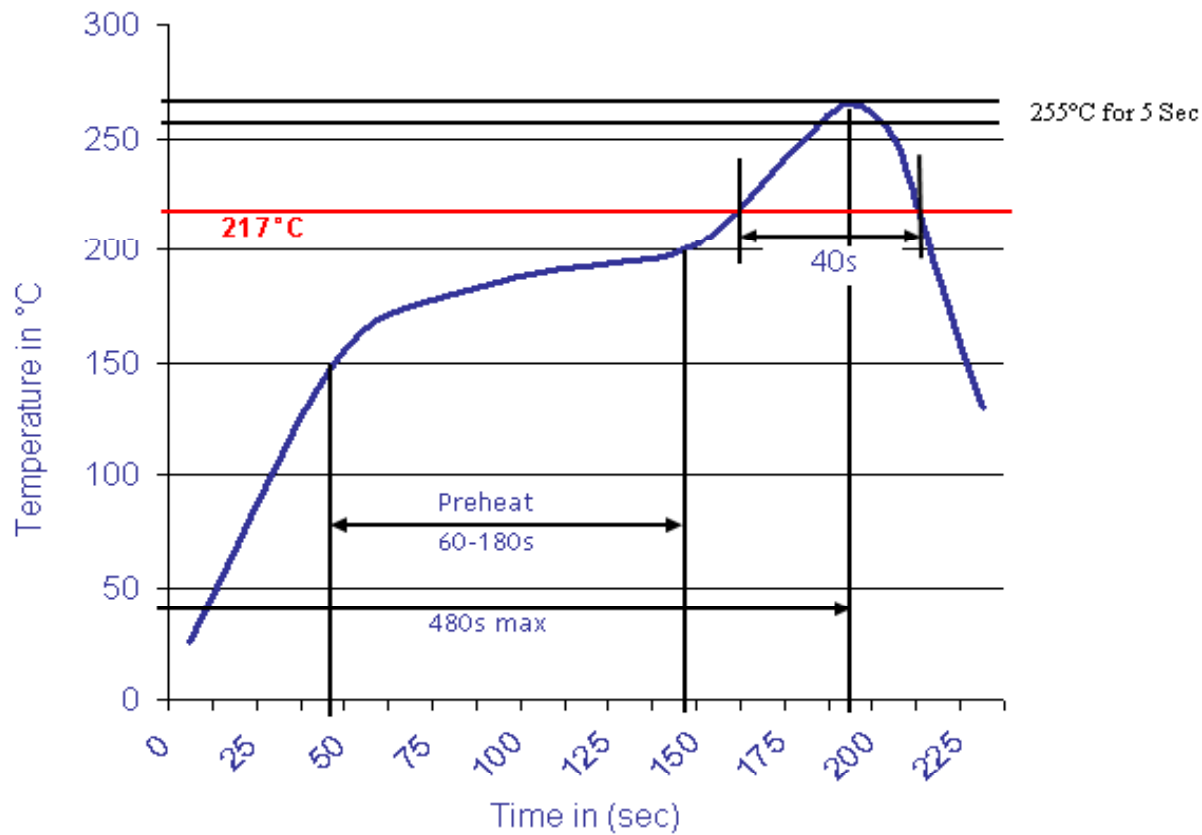
Part No.: **B44007**
Customer:

DRW:	Jason	CHKD	Wilson	MATL:	Wilson	TOLERANCE	Mason	DATE	26.08.2019
APPD:	Schumi			FINISH	Jamy		Sheet No.		4 from 5



Soldering Profile Curve

Classification Reflow Profile (JEDEC J-STD-020C)



**PCB Batteryholder for
4PCS 18650 CELL**

Part No.: **B44007**

DRW:	Jason	CHKD	Wilson	MATL:	Wilson	TOLERANCE	Mason	DATE	26.08.2019
APPD:	Schumi			FINISH	Jamy		Sheet No.	5 from 5	Customer:

