

DATA SHEET

Wire Batteryholder for 18650 CELL

Serie: B44002

**Wire Batteryholder for
18650 CELL**

Serie No.: **B44002**

Customer:

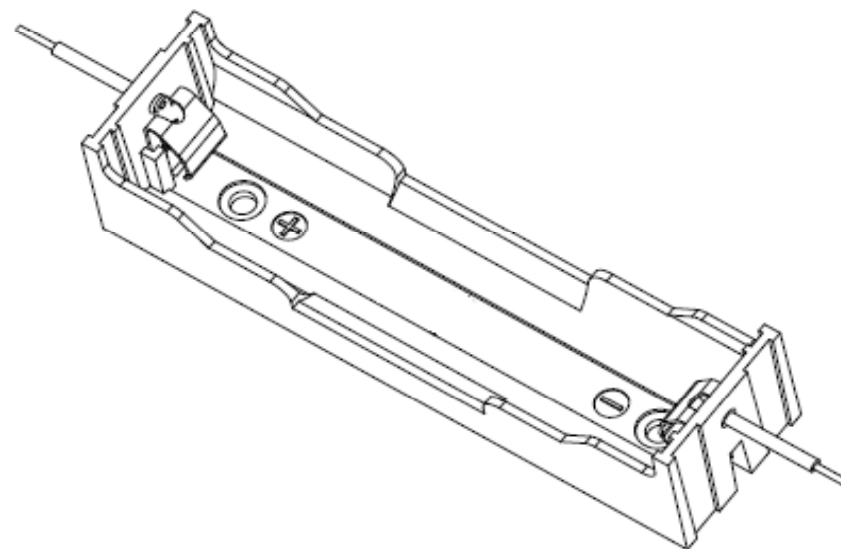
DRW:	Jason	CHKD	Wilson	MATL:	Wilson	TOLERANCE	Mason	DATE	08.01.2018
APPD:	Schumi			FINISH	Jamy		Sheet No.	1 from 5	

EDCON-COMPONENTS



Technical Description

Connecting Type:	Wire Leads
Base Material:	ABS, Resin
Base Colour	Black
Flammability Rating:	UL94HB or Custom Made
Contact:	304 Stainless Steel Spring, Nickel Plated
Dielectric Strength:	560 Volts /Mil. At 25°C for 5 Sec
Weight :	13,8gr.
Output:	3,7VDC
Wire size:	UL1007 AWG 22, L= 120mm +/- 5mm



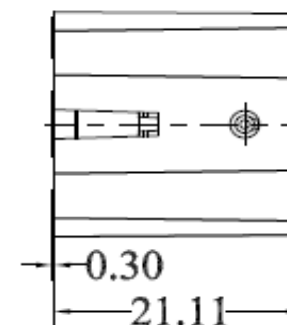
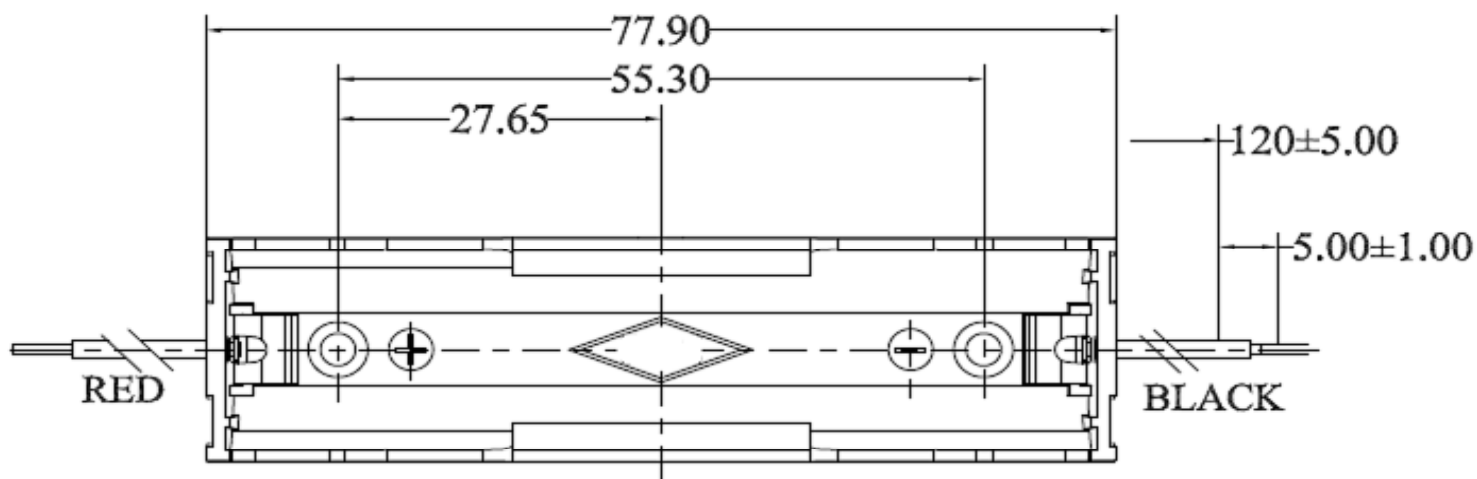
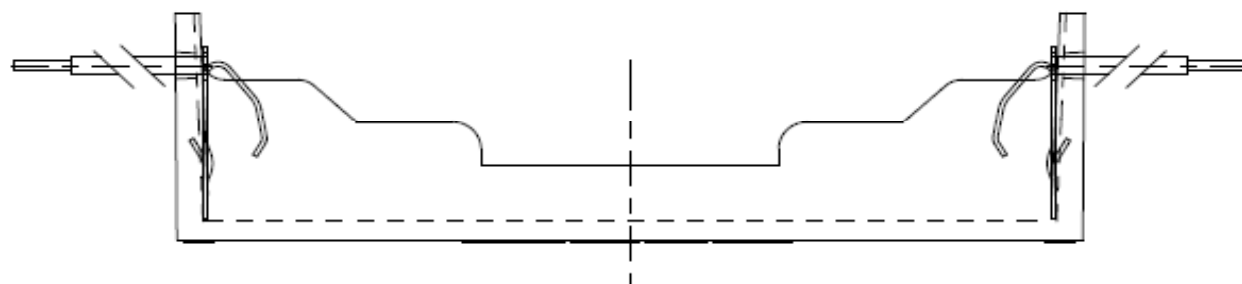
**Wire Batteryholder for
18650 CELL**

Part No.: **B44002**

Customer:

DRW:	Jason	CHKD	Wilson	MATL:	Wilson	TOLERANCE	Mason	DATE	08.01.2018
APPD:	Schumi			FINISH	Jamy		Sheet No.	2 from 5	

EDCON-COMPONENTS



**Wire Batteryholder for
18650 CELL**

Part No.: **B44002**

Customer:

DRW:	Jason	CHKD	Wilson	MATL:	Wilson	TOLERANCE	Mason	DATE	20.05.2014
APPD:	Schumi			FINISH	Jamy		Sheet No.	3 from 5	

www.edcon-components.com

email: info@edcon-components.com

EDCON-COMPONENTS



Ordering Informations

Customer	Type of Holder	Special function	Special function	ROHS	Packing Code					
B44002	WW	N	N	R	TY					

WW = wire Type			R = ROHS Conform	TY = Tray Package
	N = No special function	N = No special function	N = NON ROHS Conform	

**Wire Batteryholder for
18650 CELL**

Part No.: **B44002**

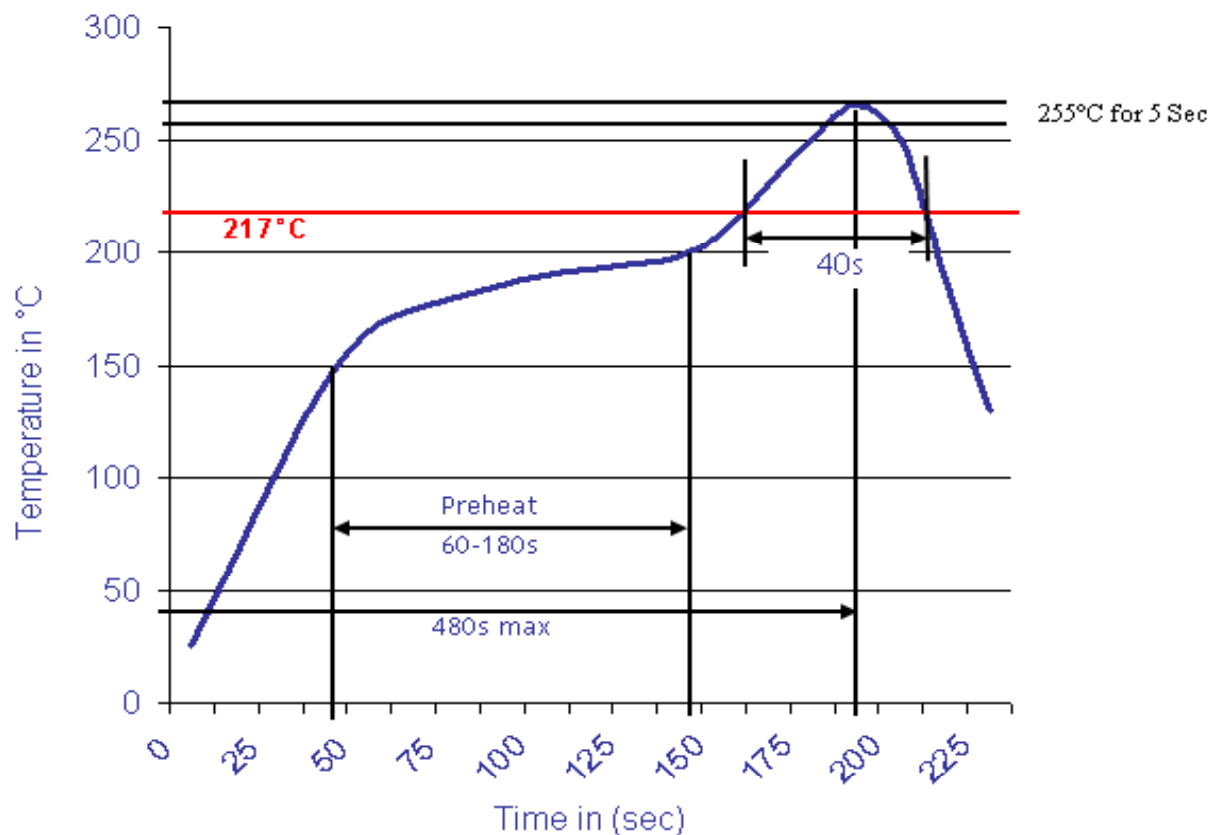
DRW:	Jason	CHKD	Wilson	MATL:	Wilson	TOLERANCE	Mason	DATE	08.01.2018
APPD:	Schumi			FINISH	Jamy		Sheet No.		4 from 5

Customer:



Soldering Profile Curve

Classification Reflow Profile (JEDEC J-STD-020C)



**Wire Batteryholder for
18650 CELL**

Part No.: **B44002**

Customer:

DRW:	Jason	CHKD	Wilson	MATL:	Wilson	TOLERANCE	Mason	DATE	08.01.2018
APPD:	Schumi			FINISH	Jamy		Sheet No.	5 from 5	

