



DATA SHEET

PCB Batteryholder for 18650 CELL

Serie: B44001

**PCB Batteryholder for
18650 CELL**

Serie No.: **B44001**

DRW:	Jason	CHKD	Wilson	MATL:	Wilson	TOLERANCE	Mason	DATE	08.01.2018
APPD:	Schumi			FINISH	Jamy		Sheet No.	1 from 5	

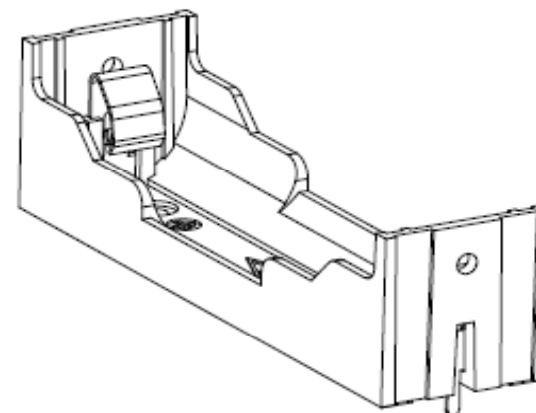
Customer:

EDCON-COMPONENTS

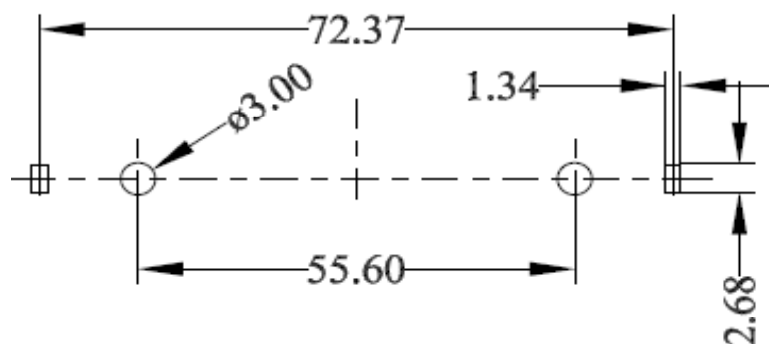


Technical Description

Connecting Type:	PCB-Pins
Base Material:	ABS, Resin
Base Colour	Black
Flammability Rating:	UL94HB or Custom Made
Contact:	304 Stainless Steel Spring, Nickel Plated
Dielectric Strength:	560 Volts /Mil. At 25°C for 5 Sec
Weight :	11,5gr.



PCB Layout



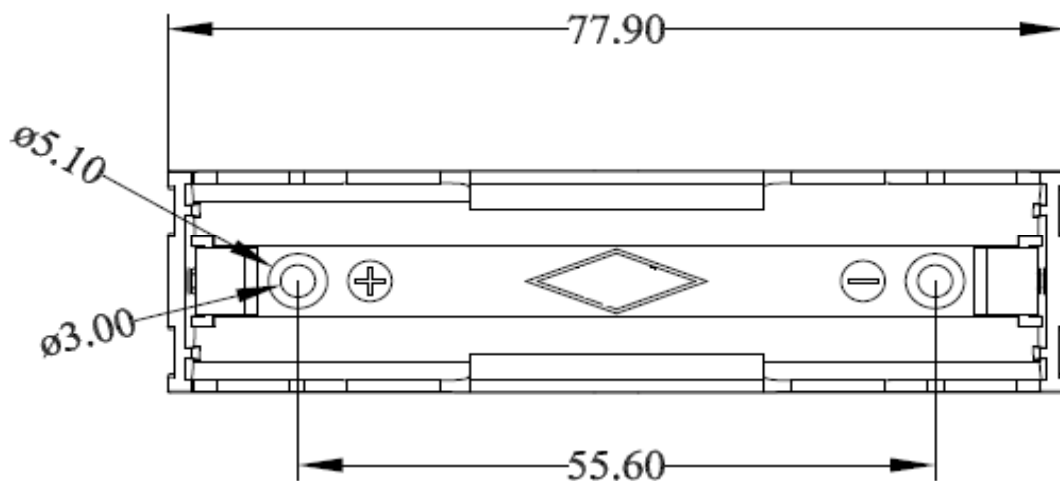
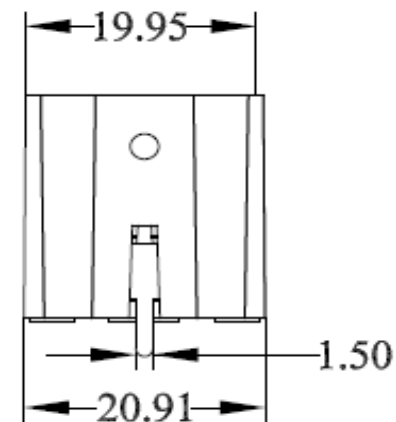
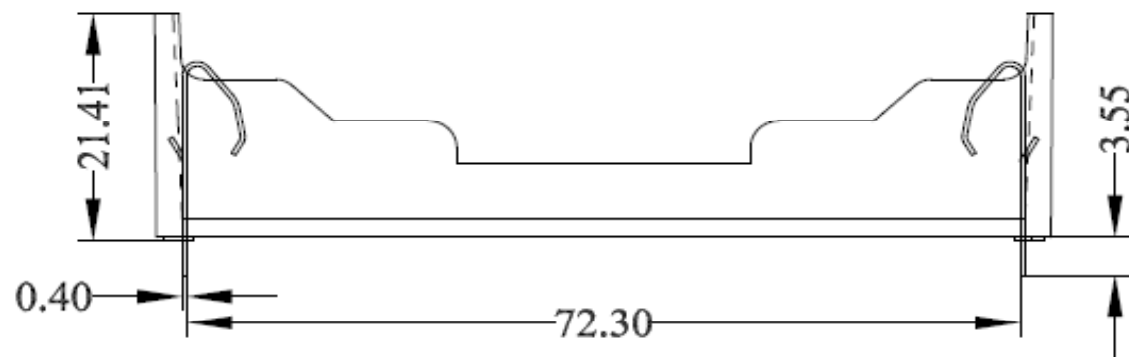
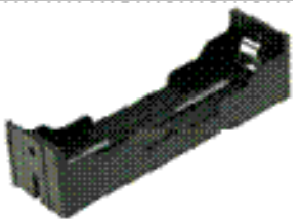
**PCB Batteryholder for
18650 CELL**

Part No.: **B44001**

Customer:

DRW:	Jason	CHKD	Wilson	MATL:	Wilson	TOLERANCE	Mason	DATE	08.01.2018
APPD:	Schumi			FINISH	Jamy		Sheet No.	2 from 5	

EDCON-COMPONENTS



**PCB Batteryholder for
18650 CELL**

Part No.: **B44001**
Customer:

DRW:	Jason	CHKD	Wilson	MATL:	Wilson	TOLERANCE	Mason	DATE	20.05.2014
APPD:	Schumi			FINISH	Jamy		Sheet No.	3 from 5	

www.edcon-components.com

email: info@edcon-components.com

EDCON-COMPONENTS



Ordering Informations

Customer	Type of Holder	Special function	Special function	ROHS	Packing Code					
----------	----------------	------------------	------------------	------	--------------	--	--	--	--	--

B44001	-	PC	N	N	R	TY				
---------------	---	-----------	----------	----------	----------	-----------	--	--	--	--

PC = PCB Pins			R= ROHS Conform	TY= Tray Package
	N= No special function	N= No special function	N= NON ROHS Conform	

**PCB Batteryholder for
18650 CELL**

Part No.: **B44001**

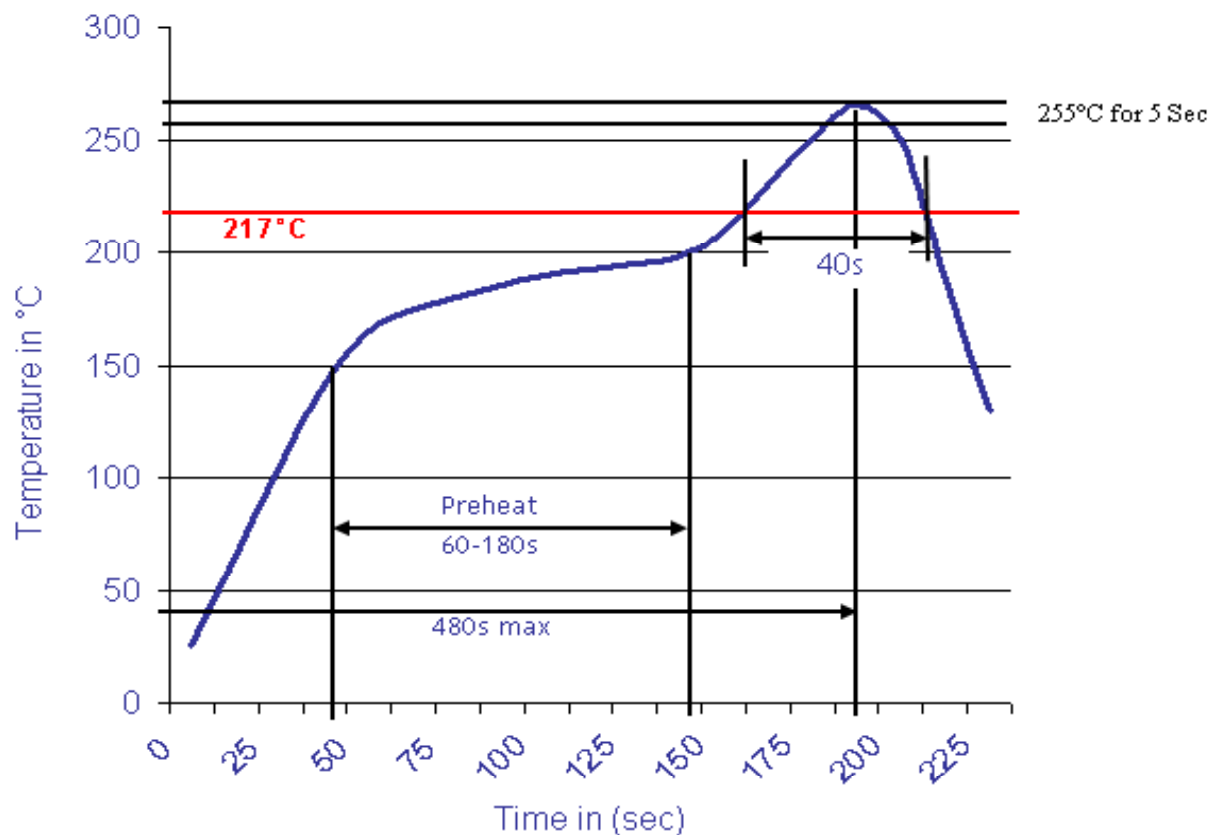
DRW:	Jason	CHKD	Wilson	MATL:	Wilson	TOLERANCE	Mason	DATE	08.01.2018
APPD:	Schumi			FINISH	Jamy		Sheet No.		4 from 5

Customer:



Soldering Profile Curve

Classification Reflow Profile (JEDEC J-STD-020C)



**PCB Batteryholder for
18650 CELL**

Part No.: **B44001**

DRW:	Jason	CHKD	Wilson	MATL:	Wilson	TOLERANCE	Mason	DATE	08.01.2018
APPD:	Schumi			FINISH	Jamy		Sheet No.	5 from 5	Customer:

