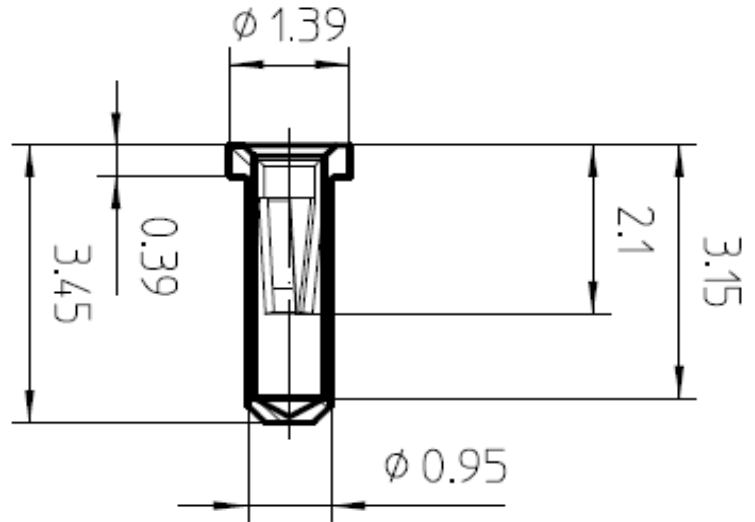




Technical Description

Contact without Socket/Holder
 Mechanical Life min 500 Cycles
 Material Body Brass
 Plating Body like Order Code
 Material Contact Clip BeCu
 Plating Contact Clip like Order Code
 Electrical contact Resistance max. 20mΩ
 Current max. 3A
 Voltage: max. 50V

Technical Drawing



Ordering Information

Serie	Solder Pin Plating	Contact Clip Plating	ROHS	Packing
T34065	A	9	R	BU

A= Tin 150μ" (Standard)	1= Tin 150μ"	R= ROHS conform	BU= 1000PCS / BAG
B= Tin 200μ"	2= Tin 200μ"		
C= GF	3= GF (Standard)	N= NON ROHS conform	
D= Gold 2μ"	4= Gold 2μ"		
E= Gold 3μ"	5= Gold 3μ"		
F= Gold 10μ"	6= Gold 10μ"		
G= Gold 15μ"	7= Gold 15μ"		
H= Special	8= Special		
	9= Gold 0,75μm		

Machined Single Contact	
Part No.:	T34065
Customer:	

DRW:	Jason	CHKD	Jules	MATL:	Wu	DATE	14.08.2018
APPD:	Join			FINISH	Shieh	Sheet	1 from 1