

EDCON-COMPONENTS



Contact

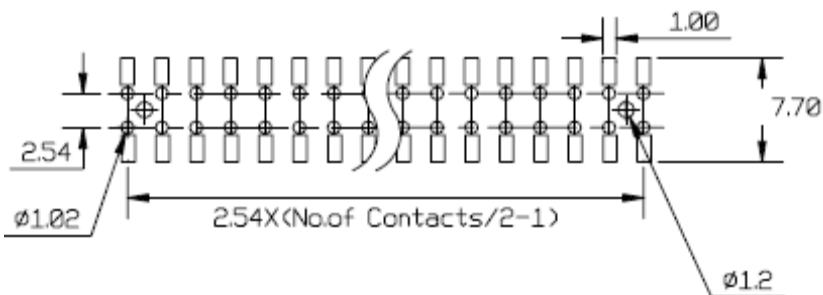


Specifications

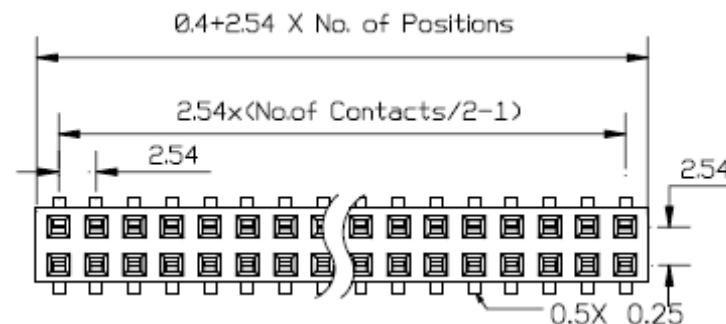
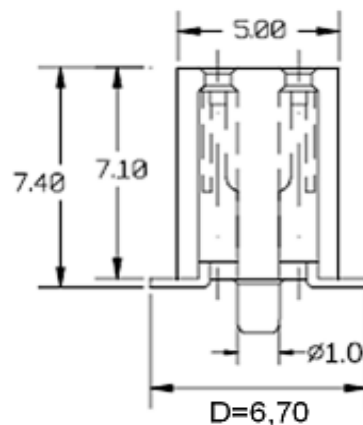
Current Rating: 3 Ampere
 Insulator Resistance: 5000 Megaohm min.
 Contact Resistance: 20m Ohm max.
 Dielectric Withstanding: AC 500V
 Operating Temperature: -65°C to +125°C
 Contact Material: Phosphor Bronze
 Insulator Material: High Temperatur Plastic,UL 94V-0

Contact Plating: Tin, Gold or Selective Plated
 Standard: Gold Flash / Tin plated

P.C.B Layout



Drawing



**Female Header Pitch
2,54mm**

Part No.: **T27A1063**

DRW:	Jason	CHKD	Wilson	MATL:	Wilson	TOLERANCE	Mason	DATE	04.06.2009
APPD:	Schumi			FINISH	Jamy		Sheet No.	1 from 4	Customer:

www.edcon-components.com

email: info@edcon-components.com

EDCON-COMPONENTS



Pin Code length table free configuration

Order Code	Dimension (mm)			
	D			
A01	6,70			
A02				
A03				
A04				
A05				
A06				
A07				
A08				
A09				
A10				
A11				
A12				
A13				
A14				
A15				
A16				
A17				
A18				
A19				
A20				
A21				
A22				

Order Code	Dimension (mm)			
	D			
A23				
A24				
A25				
A26				
A27				
A28				
A29				
A30				
A31				
A32				
A33				
A34				
A35				
A36				
A37				
A38				
A39				
A40				
A41				
A42				
A43				
A44				

Order Code	Dimension (mm)			
	D			
A45				
A46				
A47				
A48				
A49				
A50				
A51				
A52				
A53				
A54				
A55				
A56				
A57				
A58				
A59				
A60				
A61				
A62				
A63				
A64				
A65				
A66				

Female Header Pitch 2,54mm	
Part No.:	T27A1063
Customer:	

DRW:	Jason	CHKD	Wilson	MATL:	Wilson	TOLERANCE	Mason	DATE	04.06.2009
APPD:	Schumi			FINISH	Jamy		Sheet No.		2 from 4

EDCON-COMPONENTS



Ordering Informations

Serie	No. of Pos.	Construction	Contact Plating	Material	Polarisation Peg	Pin Length Code	ROHS	Packing		
T27A1063	XX	SS	G0	NY	N	A01	R	BU		

XX = Total Pin	SS = Straight SMT	G0 = Gold Flash (Standard)	PB = P.B.T	Y = with Peg	siehe Table No. 1	N =NO ROHS conform	BU = Bulk (Standard)
		T0 = Tin plated	NY = Nylon-6T	N = w/o Peg		R = ROHS conform	TU = Tube w/o Cap
		GA = 10µ Gold Plating	PA = PA-46				TC = Tube w. pic and Place Cap
		GB = 15µ Gold Plating					
		GC = 20µ Gold Plating					TR = Tape/Reel w. pic and Place Cap
		S0 = Selectiv Plating Gold Flash / Tin					
		TN = Tin Plated					

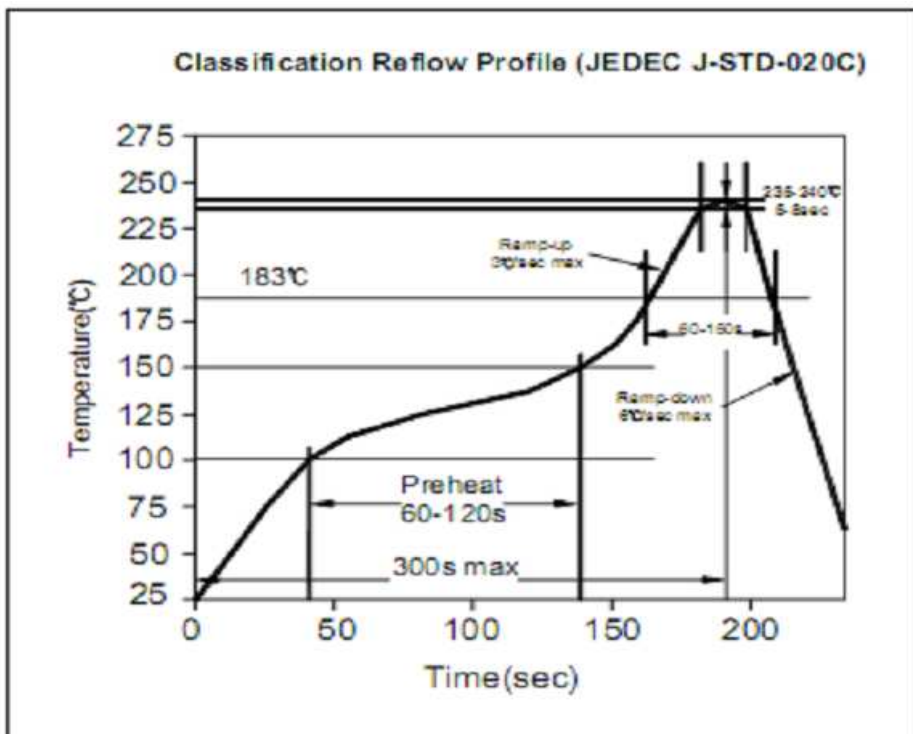
Female Header Pitch 2,54mm	
Part No.:	T27A1063
Customer:	

DRW:	Jason	CHKD	Wilson	MATL:	Wilson	TOLERANCE	Mason	DATE	04.06.2009
APPD:	Schumi			FINISH	Jamy		Sheet No.		3 from 4

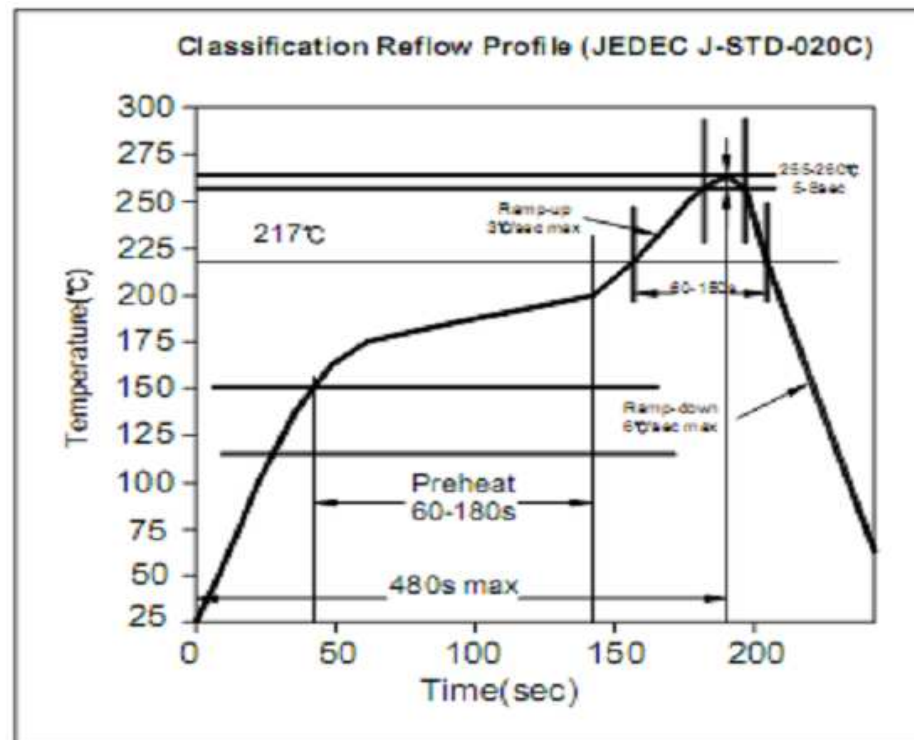
EDCON-COMPONENTS



Soldering Profile for Lead Soldering (P.B.T.)



Soldering Profile for Lead Free Soldering (Nylon 6T)



**Female Header Pitch
2,54mm**

Part No.: **T27A1063**

DRW:	Jason	CHKD	Wilson	MATL:	Wilson	TOLERANCE	Mason	DATE	04.06.2009
APPD:	Schumi			FINISH	Jamy		Sheet No.	4 from 4	Customer:

www.edcon-components.com

email: info@edcon-components.com