



# DATA SHEET

## Rechargeable Lithium Coin Cell Type ML-2016

### Serie: B31008

Rechargeable Lithium Coin Cell  
Type ML-2016

Serie No.: **B31008**

Customer:

DRW:	Jason	CHKD	Wilson	MATL:	Wilson	TOLERANCE	Mason	DATE	23.05.2012
APPD:	Schumi			FINISH	Jamy		Sheet No.		1 from 4

# EDCON-COMPONENTS



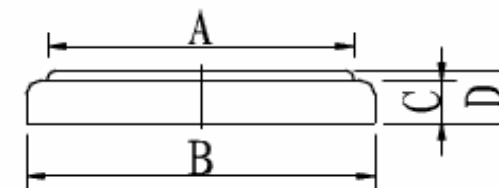
## Specifications

Nominal Voltage	3,0 Volt
Nominal Capacity	15 (mAH)
Current Charge max.	0,2mA
Current discharge max.	6,5mA
Capacity energy storage	65mAh
Number of cycles max.	1000
Operating Temperature	. -20 ~ + 60°C
Weight	3 gr.

## Dimensions (mm)

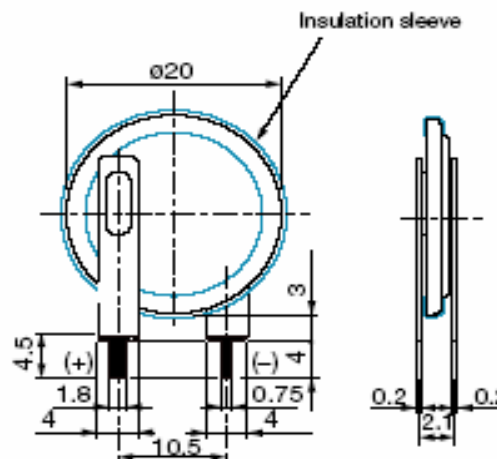
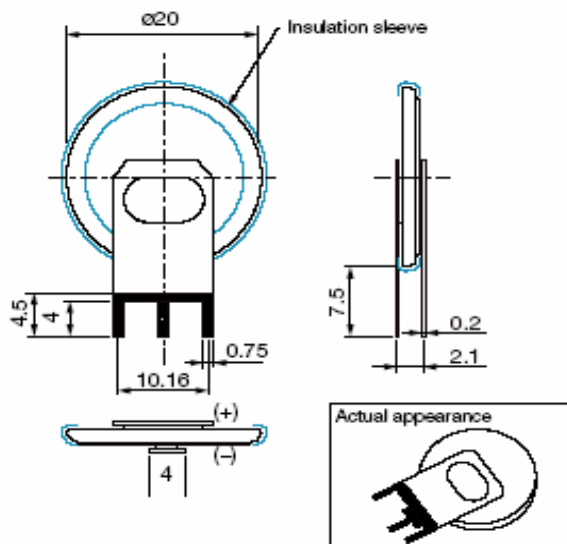
A	Ø 15,8
B	Ø 20,0 / +0,0 -0,3
C	1,6
D	

## Technical Drawing



### Lead Style T26

### Lead Style T17



Rechargeable Lithium Coin Cell  
Type ML-2016

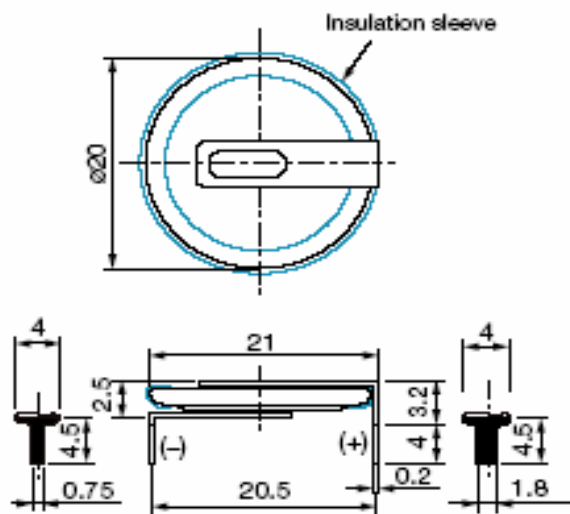
Part No.: **B31008**

DRW:	Jason	CHKD	Wilson	MATL:	Wilson	TOLERANCE	Mason	DATE	23.05.2012	Customer:
APPD:	Schumi			FINISH	Jamy		Sheet No.	2 from 4		

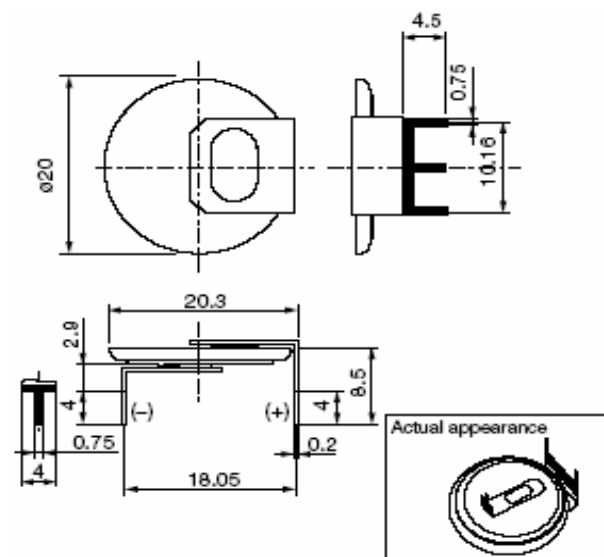
# EDCON-COMPONENTS



## Lead Style T6



## Lead Style T25



<b>Rechargeable Lithium Coin Cell Type ML-2016</b>	
Part No.:	<b>B31008</b>
Customer:	

DRW:	Jason	CHKD	Wilson	MATL:	Wilson	TOLERANCE	Mason	DATE	23.05.2012
APPD:	Schumi			FINISH	Jamy		Sheet No.	3 from 4	

[www.edcon-components.com](http://www.edcon-components.com)

email: [info@edcon-components.com](mailto:info@edcon-components.com)



# EDCON-COMPONENTS



## Ordering Informations

Serie	Type of Battery	Battery Size	Lead Style	No function	ROHS	Packing Code				
-------	-----------------	--------------	------------	-------------	------	--------------	--	--	--	--

<b>B31008</b>	-	<b>ML</b>	<b>2016</b>	<b>01</b>	<b>0</b>	<b>R</b>	<b>TY</b>			
---------------	---	-----------	-------------	-----------	----------	----------	-----------	--	--	--

<b>ML=</b> Rechargeable Lithium	Diameter * Thickness	<b>00=</b> NO function	<b>0=</b> NO function	<b>R=</b> ROHS Conform <b>N=</b> NON ROHS Conform	<b>IP=</b> Industrial Package
		<b>T26=</b> Lead Style			<b>TY=</b> Tray Package
					<b>B1=</b> Blister 1 Pcs
					<b>B5=</b> Blister 5 Pcs
					<b>CU=</b> Customer Special

<b>Rehargable Lithium Coin Cell Type ML-2016</b>	
Part No.:	<b>B31008</b>
Customer:	

DRW:	Jason	CHKD	Wilson	MATL:	Wilson	TOLERANCE	Mason	DATE	23.05.2012
APPD:	Schumi			FINISH	Jamy		Sheet No.		4 from 4