



DATA SHEET

Lithium Coin Cell Type CR-3032

Serie: B20020

Lithium Coin Cell Type CR-3032

Serie No.: **B20020**

Customer:

DRW:	Jason	CHKD	Wilson	MATL:	Wilson	TOLERANCE	Mason	DATE	25.01.2011
APPD:	Schumi			FINISH	Jamy		Sheet No.		1 from 6

EDCON-COMPONENTS



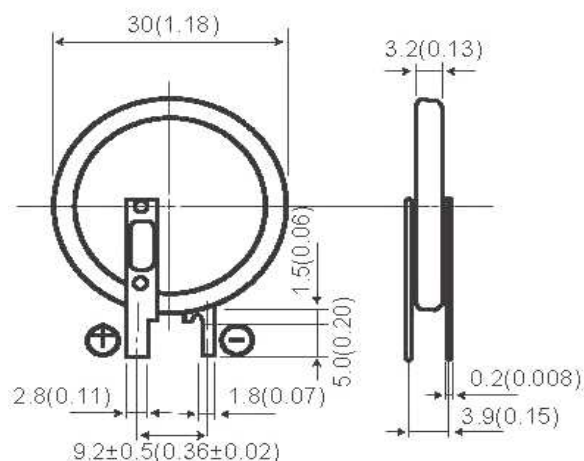
Specifications

Nominal Voltage	3,0 Volt
Nominal Capacity	500 (mAH)
Continuous standard load	7,5 (KΩ)
Operating Temperature	. -20 ~ + 60°C
Weight	6,8 gr.

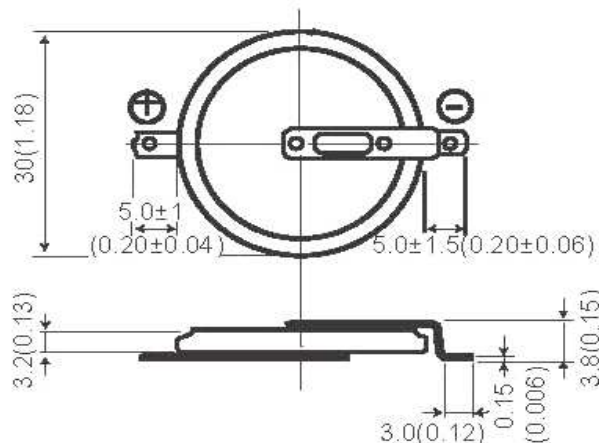
Dimensions (mm)

A	Ø 27,3
B	Ø 30,0 / +0,0 -0,3
C	2,5
D	3,2 / +0.0 -0,3

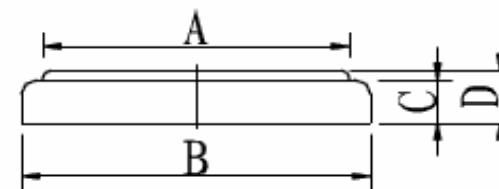
Lead Style 01



Lead Style 02



Technical Drawing



Lithium Coin Cell Type CR-3032

Part No.: **B20020**

Customer:

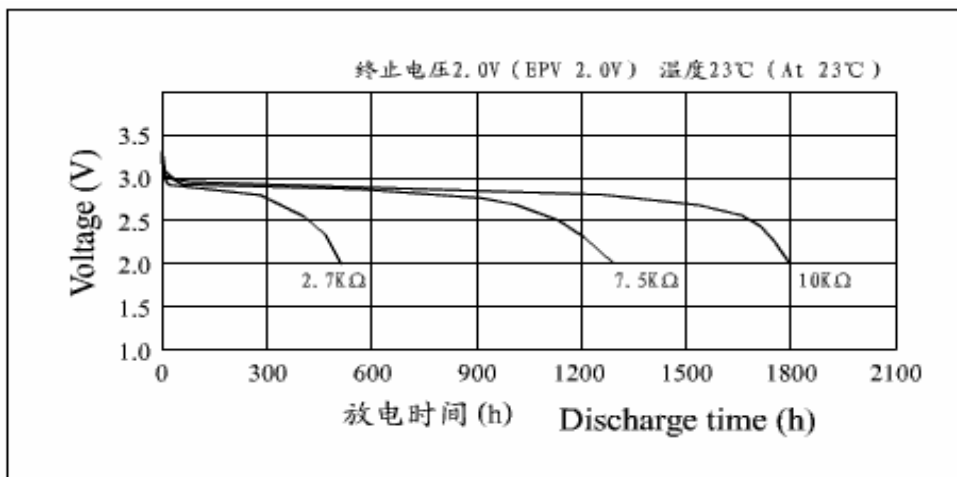
DRW:	Jason	CHKD	Wilson	MATL:	Wilson	TOLERANCE	Mason	DATE	25.01.2011
APPD:	Schumi			FINISH	Jamy		Sheet No.	2 from 6	

EDCON-COMPONENTS

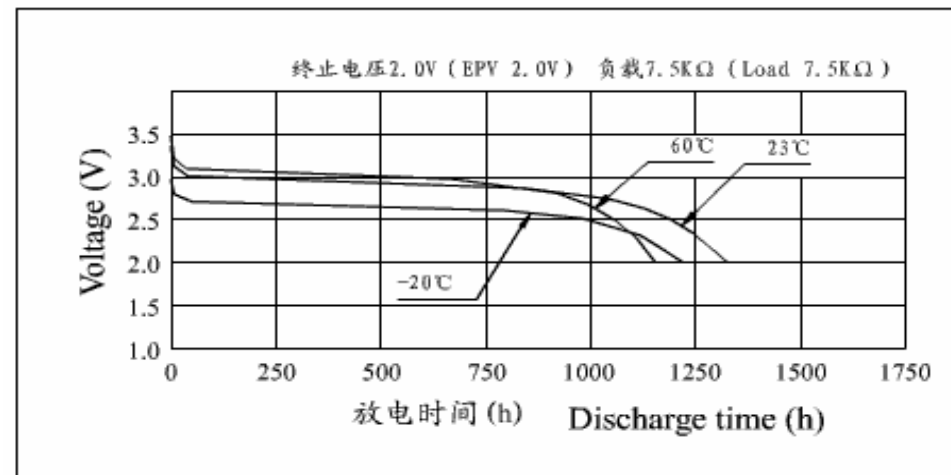


Characteristics Curve

Discharge characteristics



Temperature Characteristics



Lithium Coin Cell Type CR-3032

Part No.: **B20020**

Customer:

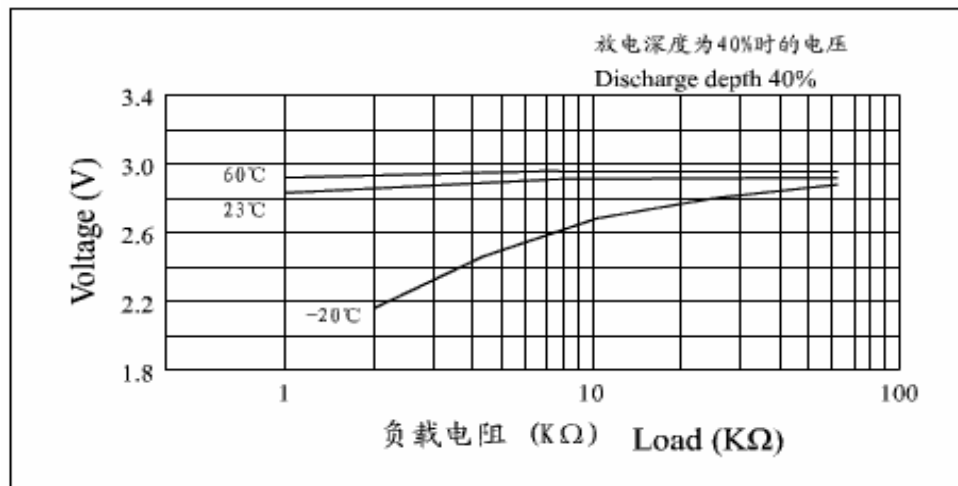
DRW:	Jason	CHKD	Wilson	MATL:	Wilson	TOLERANCE	Mason	DATE	25.01.2011
APPD:	Schumi			FINISH	Jamy		Sheet No.	3 from 6	

EDCON-COMPONENTS

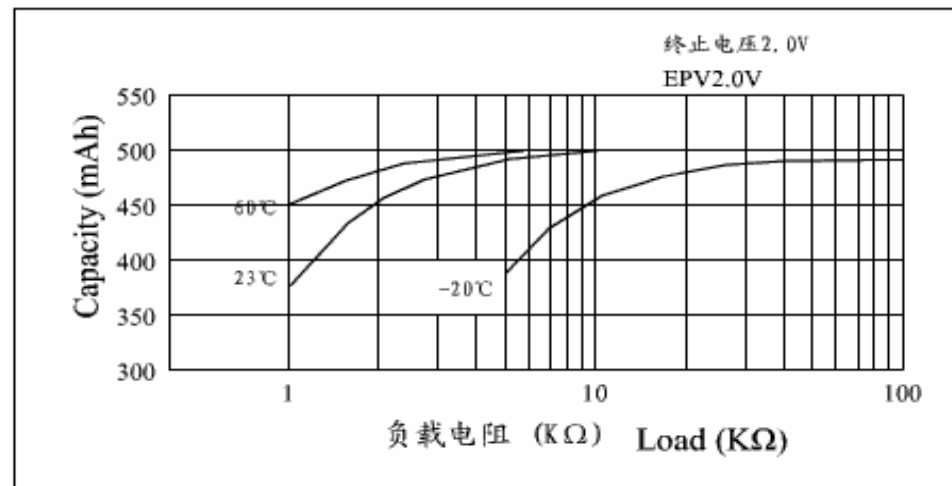


Characteristics Curve

Load vs Operating Voltage



Load vs. Capacity



Lithium Coin Cell Type CR-3032

Part No.: **B20020**

Customer:

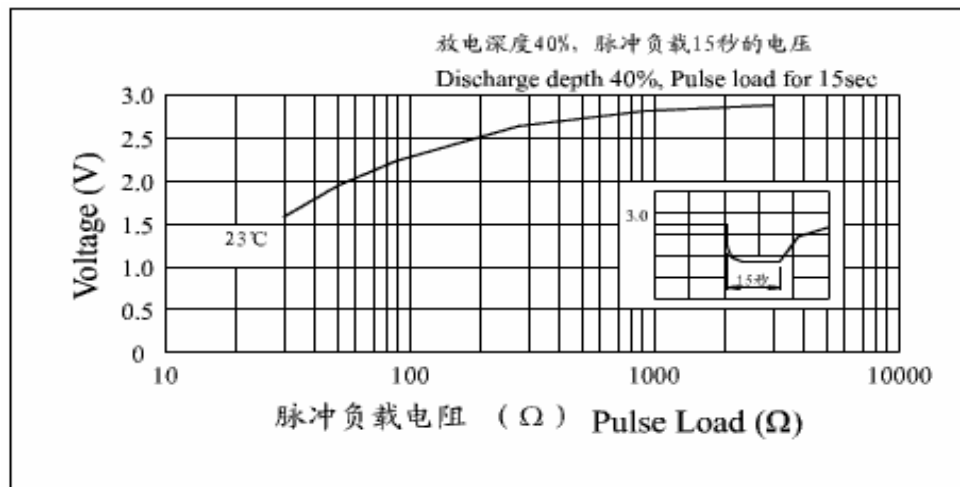
DRW:	Jason	CHKD	Wilson	MATL:	Wilson	TOLERANCE	Mason	DATE	25.01.2011
APPD:	Schumi			FINISH	Jamy		Sheet No.	4 from 6	

EDCON-COMPONENTS

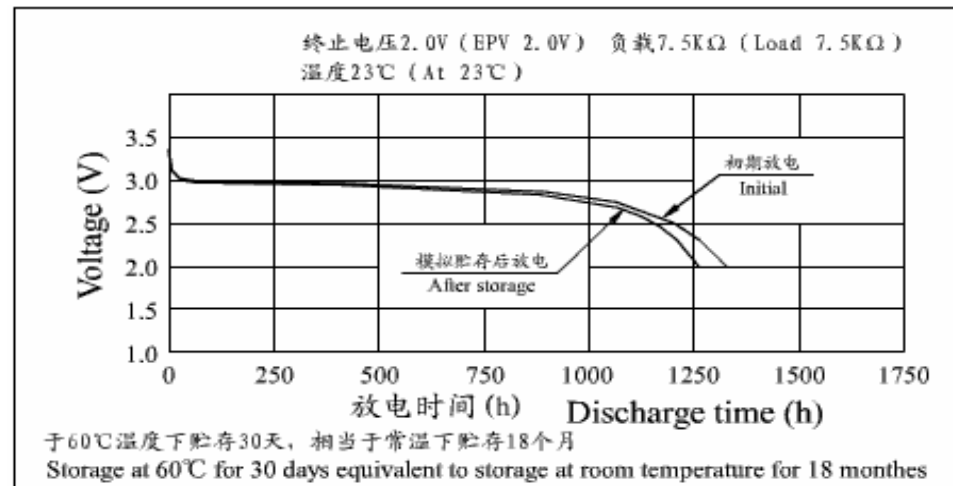


Characteristics Curve

Pulse discharge characteristics



Storage characteristics



Lithium Coin Cell Type CR-3032

Part No.: **B20020**

Customer:

DRW:	Jason	CHKD	Wilson	MATL:	Wilson	TOLERANCE	Mason	DATE	25.01.2011
APPD:	Schumi			FINISH	Jamy		Sheet No.	5 from 6	

EDCON-COMPONENTS



Ordering Informations

Serie	Type of Battery	Battery Size	Lead Style	No function	ROHS	Packing Code				
-------	-----------------	--------------	------------	-------------	------	--------------	--	--	--	--

B20020	-	CR	3032	01	0	R	IP			
---------------	---	-----------	-------------	-----------	----------	----------	-----------	--	--	--

CR= NON Rechargeable Lithium	Diameter * Thickness	00= NO function	0= NO function	R= ROHS Conform N= NON ROHS Conform	IP= Industrial Package
		01= Lead Style			TY= Tray Package
		02= Lead Style			B1= Blister 1 Pcs
					B5= Blister 5 Pcs
					CU= Customer Special

Lithium Coin Cell Type CR-3032

Part No.: **B20020**

Customer:

DRW:	Jason	CHKD	Wilson	MATL:	Wilson	TOLERANCE	Mason	DATE	25.01.2011
APPD:	Schumi			FINISH	Jamy		Sheet No.	6 from 6	