



DATA SHEET

Lithium Coin Cell Type CR-2450

Serie: B20018

Lithium Coin Cell Type CR-2450

Serie No.: **B20018**

Customer:

DRW:	Jason	CHKD	Wilson	MATL:	Wilson	TOLERANCE	Mason	DATE	22.03.2016
APPD:	Schumi			FINISH	Jamy		Sheet No.		1 from 7

EDCON-COMPONENTS



Specifications

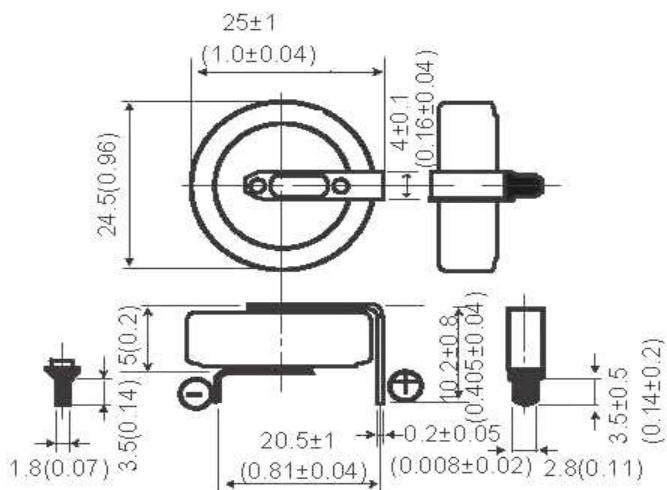
Nominal Voltage	3,0 Volt
Nominal Capacity	550 (mAH)
Continuous standard load	7,5 (KΩ)
Operating Temperature	. -20 ~ + 60°C
Weight	6,6 gr.

Dimensions (mm)

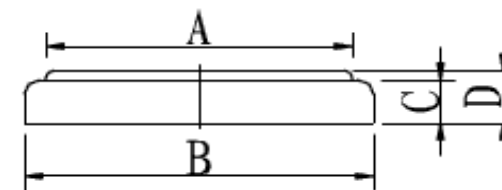
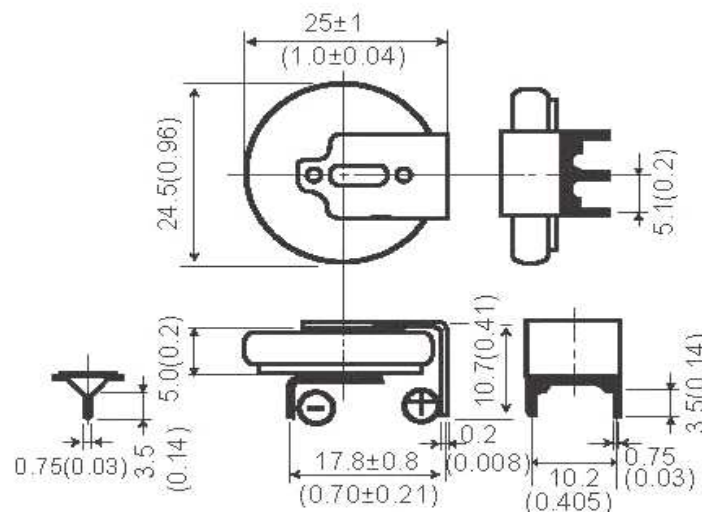
A	Ø 21,0
B	Ø 24,5 / +0,0 -0,3
C	2,7
D	5,0 / +0,0 -0,3

Technical Drawing

Lead Style 01



Lead Style 02



More Leg Style Type look Page 7 of this data sheet.

Lithium Coin Cell Type CR-2450

Part No.: **B20018**

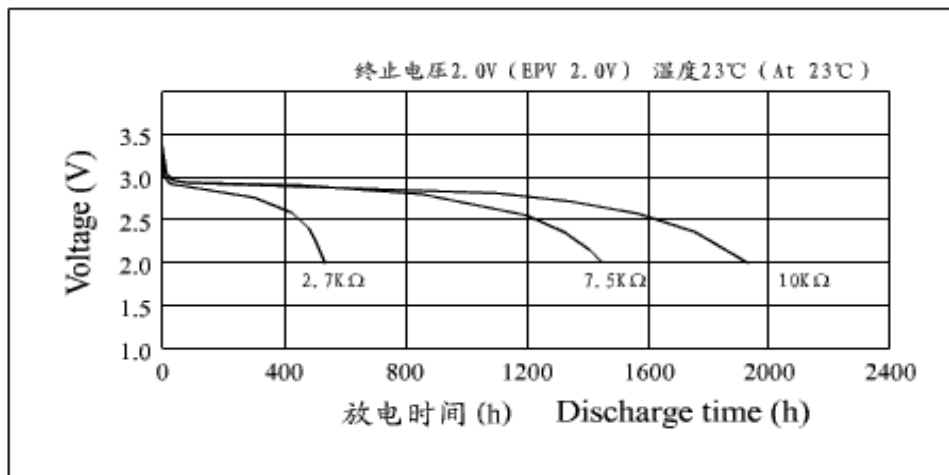
DRW:	Jason	CHKD	Wilson	MATL:	Wilson	TOLERANCE	Mason	DATE	22.03.2016
APPD:	Schumi			FINISH	Jamy		Sheet No.	2 from 7	Customer:

EDCON-COMPONENTS

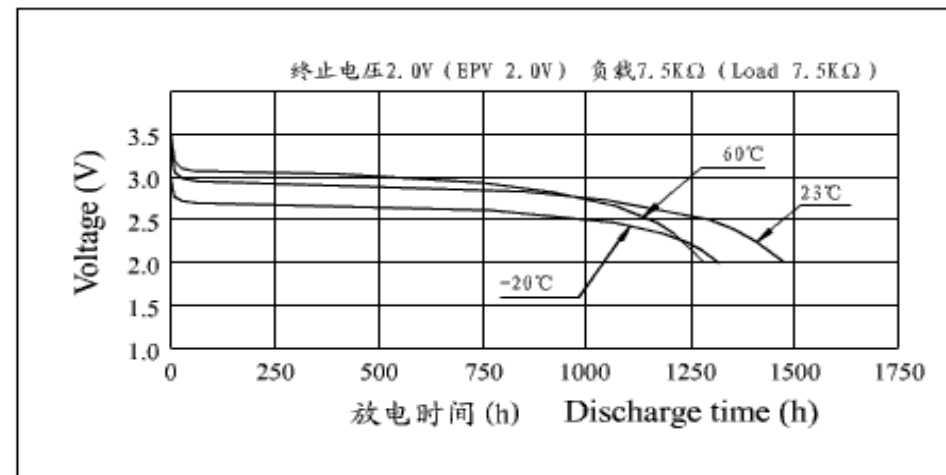


Characteristics Curve

Discharge characteristics



Temperature Characteristics



Lithium Coin Cell Type CR-2450

Part No.: **B20018**

Customer:

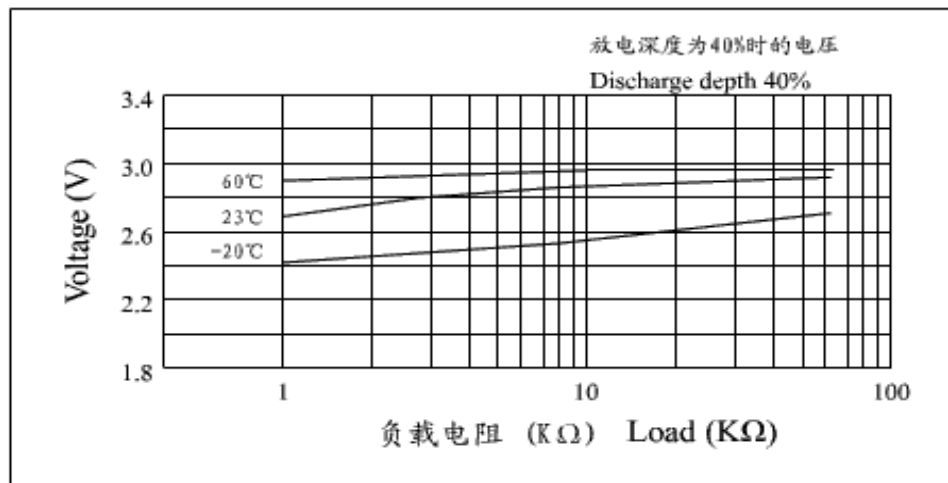
DRW:	Jason	CHKD	Wilson	MATL:	Wilson	TOLERANCE	Mason	DATE	22.03.2016
APPD:	Schumi			FINISH	Jamy		Sheet No.	3 from 7	

EDCON-COMPONENTS

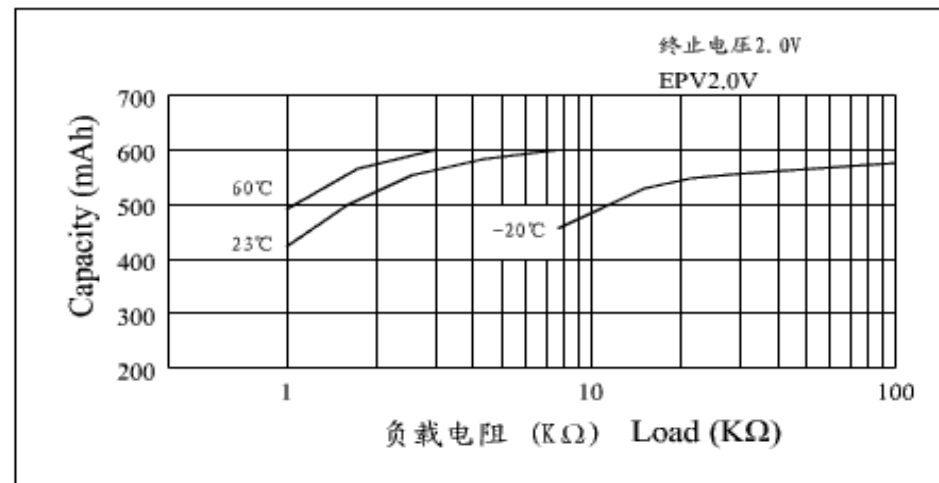


Characteristics Curve

Load vs Operating Voltage



Load vs. Capacity



Lithium Coin Cell Type CR-2450

Part No.: **B20018**

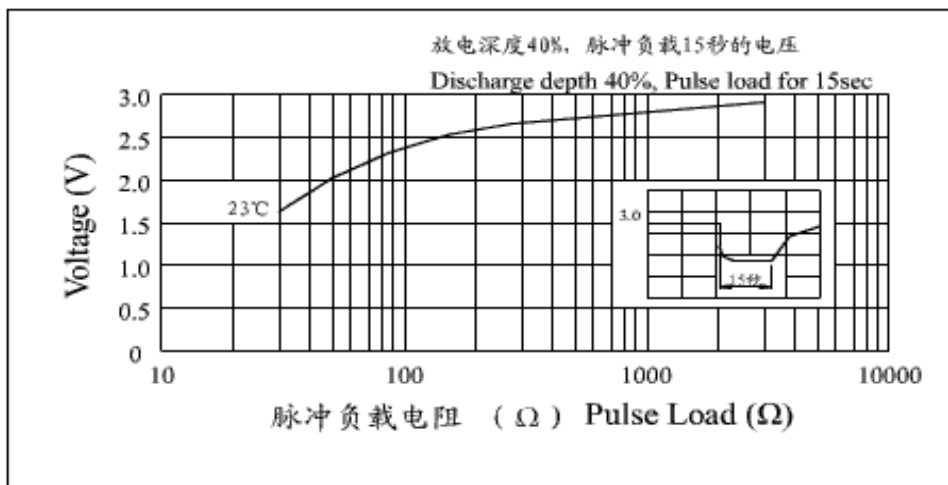
DRW:	Jason	CHKD	Wilson	MATL:	Wilson	TOLERANCE	Mason	DATE	22.03.2016
APPD:	Schumi			FINISH	Jamy		Sheet No.	4 from 7	Customer:

EDCON-COMPONENTS

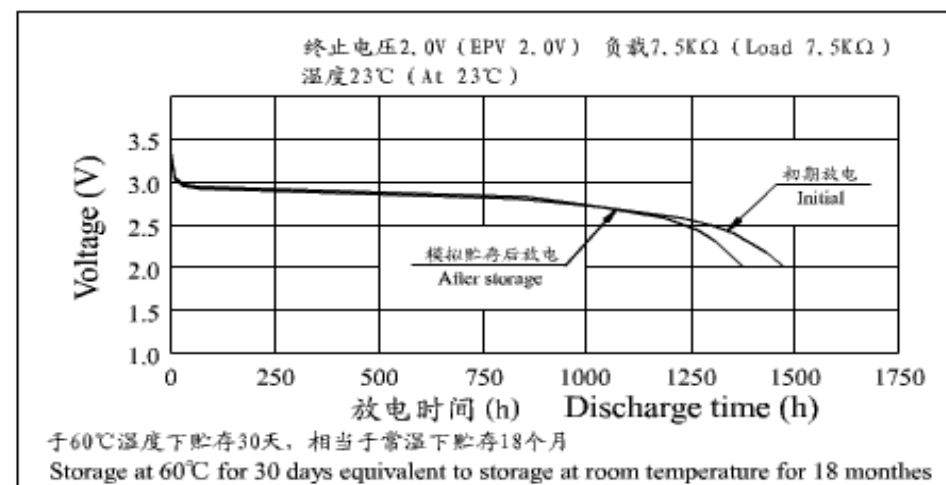


Characteristics Curve

Pulse discharge characteristics



Storage characteristics



Lithium Coin Cell Type CR-2450

Part No.: **B20018**

Customer:

DRW:	Jason	CHKD	Wilson	MATL:	Wilson	TOLERANCE	Mason	DATE	22.03.2016
APPD:	Schumi			FINISH	Jamy		Sheet No.	5 from 7	

EDCON-COMPONENTS



Ordering Informations

Serie	Type of Battery	Battery Size	Lead Style	No function	ROHS	Packing Code				
-------	-----------------	--------------	------------	-------------	------	--------------	--	--	--	--

B20018	-	CR	2450	01	0	R	IP			
---------------	---	-----------	-------------	-----------	----------	----------	-----------	--	--	--

CR= NON Rechargeable Lithium	Diameter * Thickness	00= NO function	0= NO function	R= ROHS Conform N= NON ROHS Conform	IP= Industrial Package
		01= Lead Style			TY= Tray Package
		02= Lead Style			B1= Blister 1 Pcs
		03= Lead Style			B5= Blister 5 Pcs
		04= Lead Style			CU= Customer Special
		05= Lead Style			

Lithium Coin Cell Type CR-2450

Part No.: **B20018**

DRW:	Jason	CHKD	Wilson	MATL:	Wilson	TOLERANCE	Mason	DATE	22.03.2016
APPD:	Schumi			FINISH	Jamy		Sheet No.		6 from 7

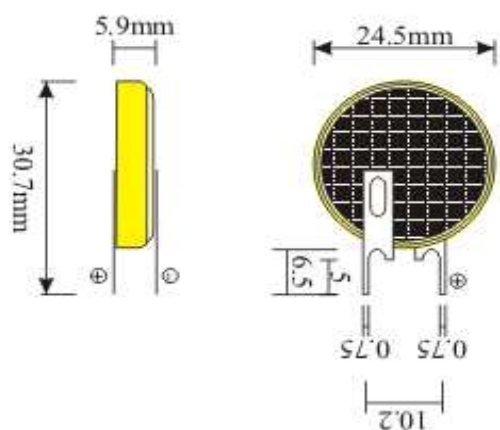
Customer:

EDCON-COMPONENTS

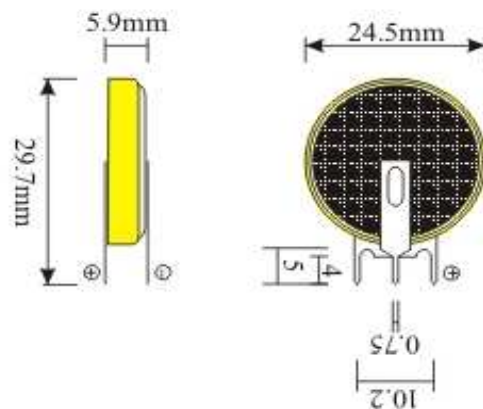


Leg Style forms

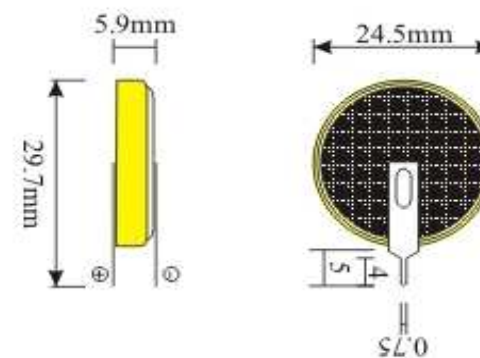
Style Type 03



Style Type 04



Style Type 05



Lithium Coin Cell Type CR-2450

Part No.: **B20018**

Customer:

DRW:	Jason	CHKD	Wilson	MATL:	Wilson	TOLERANCE	Mason	DATE	22.03.2016
APPD:	Schumi			FINISH	Jamy		Sheet No.	7 from 7	