



DATA SHEET

Lithium Coin Cell Type CR-2032

Serie: B20011

Lithium Coin Cell Type CR-2032

Serie No.: **B20011**

Customer:

DRW:	Jason	CHKD	Wilson	MATL:	Wilson	TOLERANCE	Mason	DATE	25.01.2011
APPD:	Schumi			FINISH	Jamy		Sheet No.		1 from 9

EDCON-COMPONENTS



Specifications

Nominal Voltage	3,0 Volt
Nominal Capacity	210 (mAh)
Continuous standard load	15 (KΩ)
Operating Temperature	. -20 ~ + 60°C
Weight	3,1 gr.

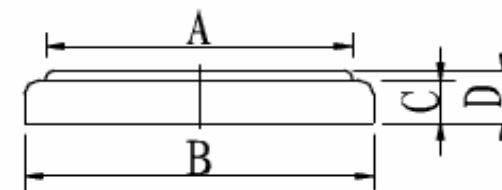
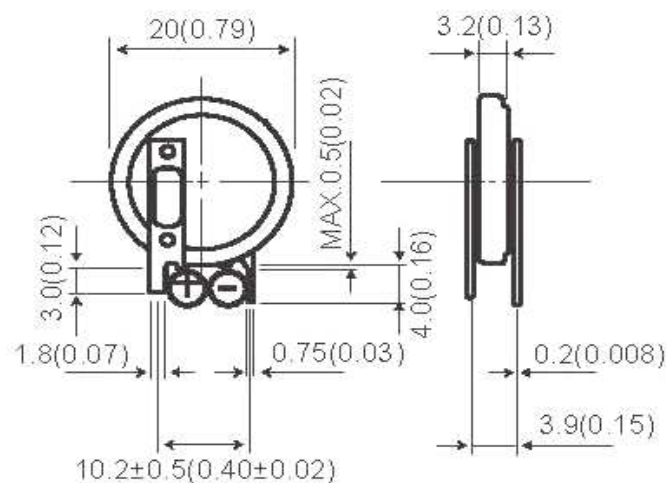
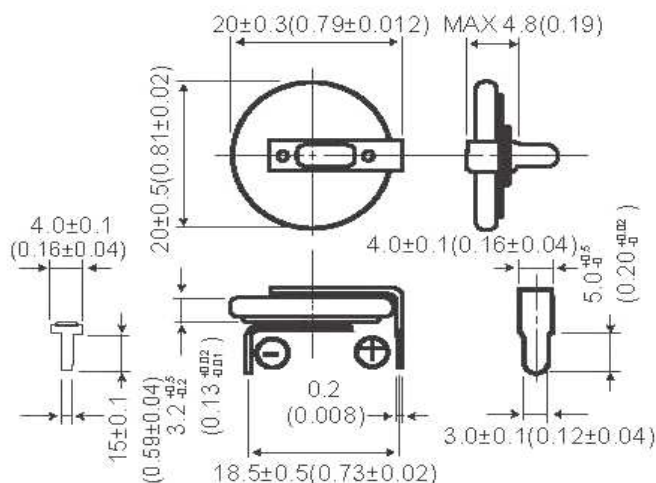
Dimensions (mm)

A	Ø 17,6
B	Ø 20,0 / +0,0 -0,3
C	2,4
D	3,2 / +0.0 -0,3

Technical Drawing

Lead Style 01

Lead Style 02



Lithium Coin Cell Type CR-2032

Part No.: **B20011**

DRW:	Jason	CHKD	Wilson	MATL:	Wilson	TOLERANCE	Mason	DATE	25.01.2011	Customer:
APPD:	Schumi			FINISH	Jamy		Sheet No.	1 from 9		

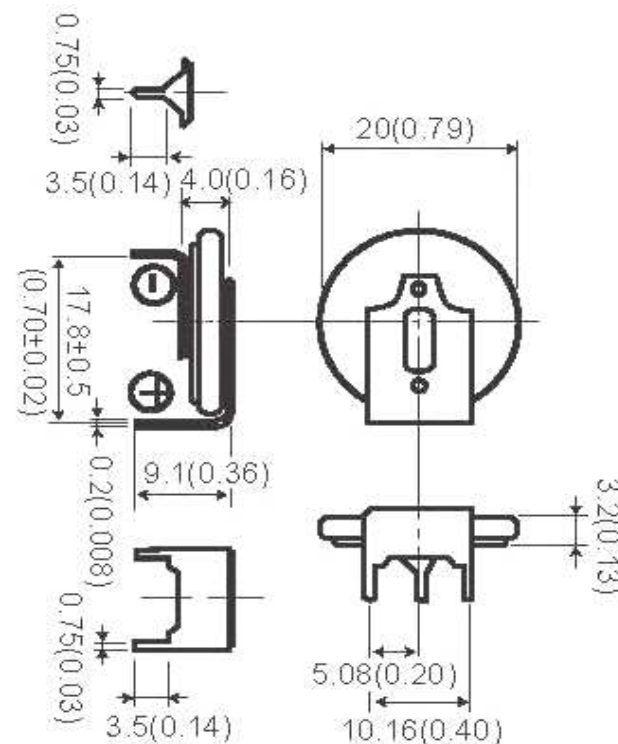
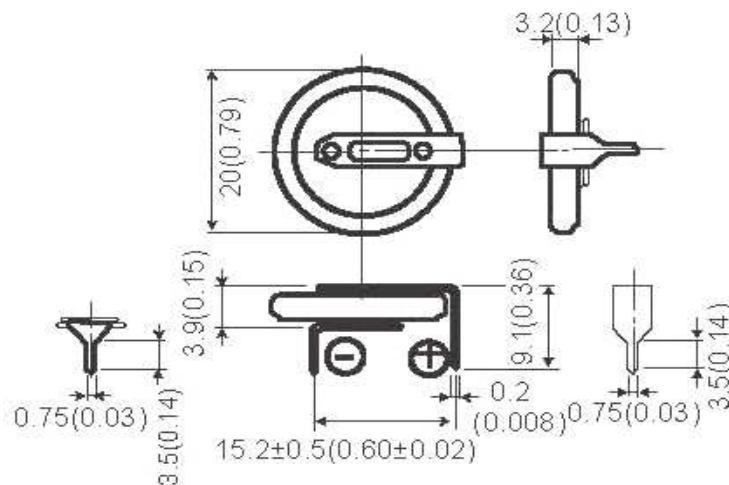
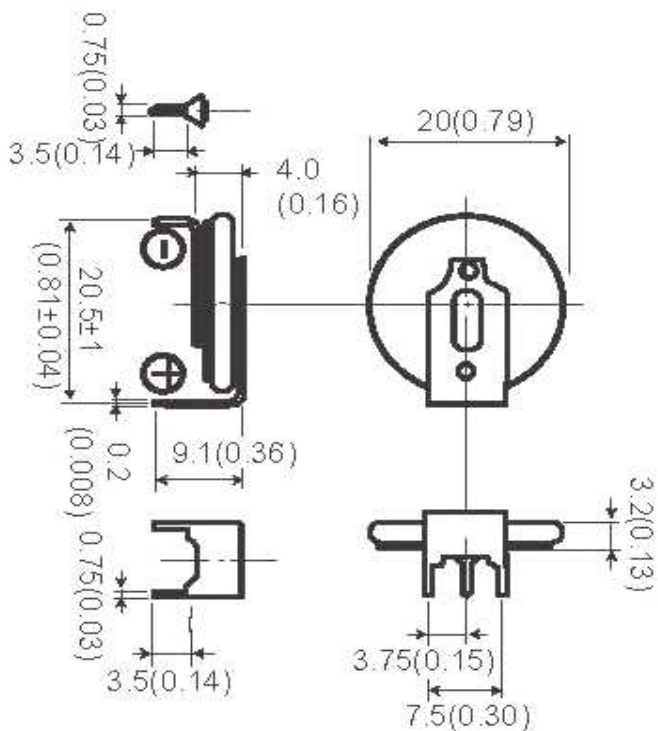
EDCON-COMPONENTS



Lead Style 03

Lead Style 04

Lead Style 05



Lithium Coin Cell Type CR-2032

Part No.: **B20011**

Customer:

DRW:	Jason	CHKD	Wilson	MATL:	Wilson	TOLERANCE	Mason	DATE	25.01.2011
APPD:	Schumi			FINISH	Jamy		Sheet No.		3 from 9

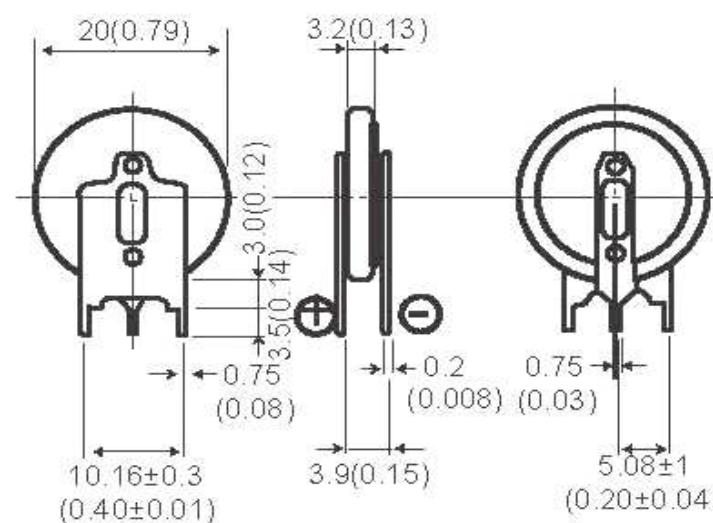
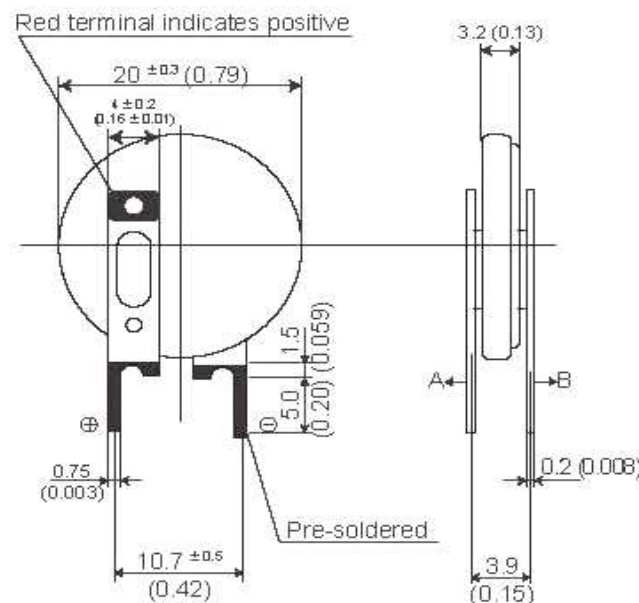
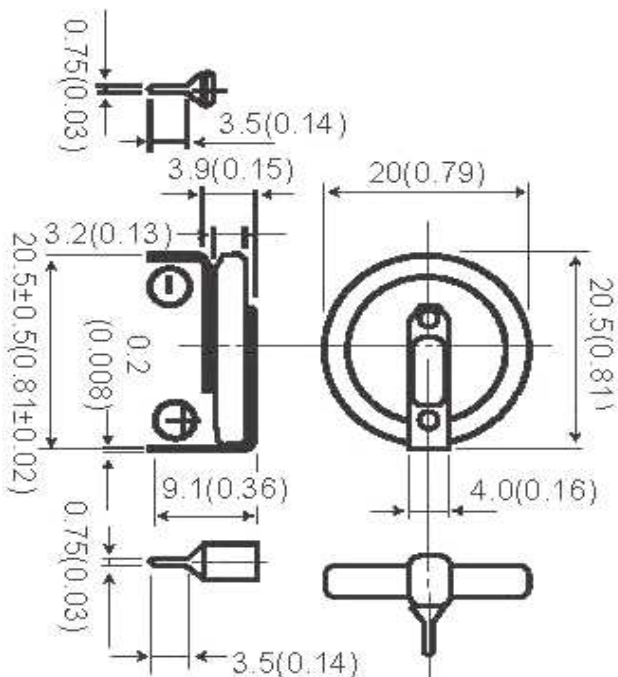
EDCON-COMPONENTS



Lead Style 06

Lead Style 07

Lead Style 08



Lithium Coin Cell Type CR-2032

Part No.: **B20011**

Customer:

DRW:	Jason	CHKD	Wilson	MATL:	Wilson	TOLERANCE	Mason	DATE	25.01.2011
APPD:	Schumi			FINISH	Jamy		Sheet No.	4 from 9	

www.edcon-components.com

email: info@edcon-components.com

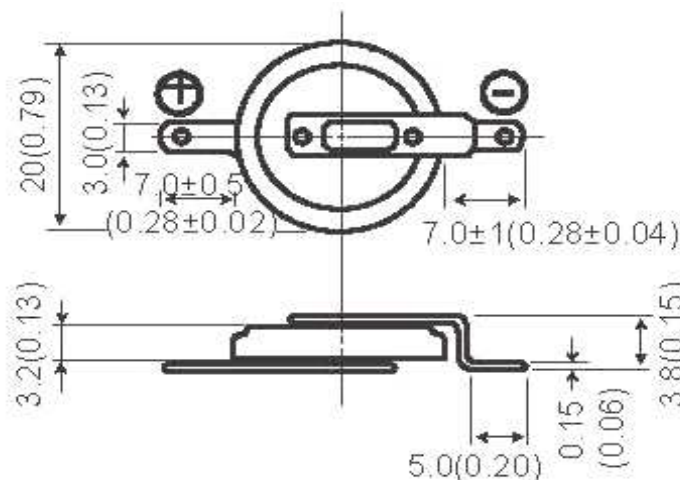
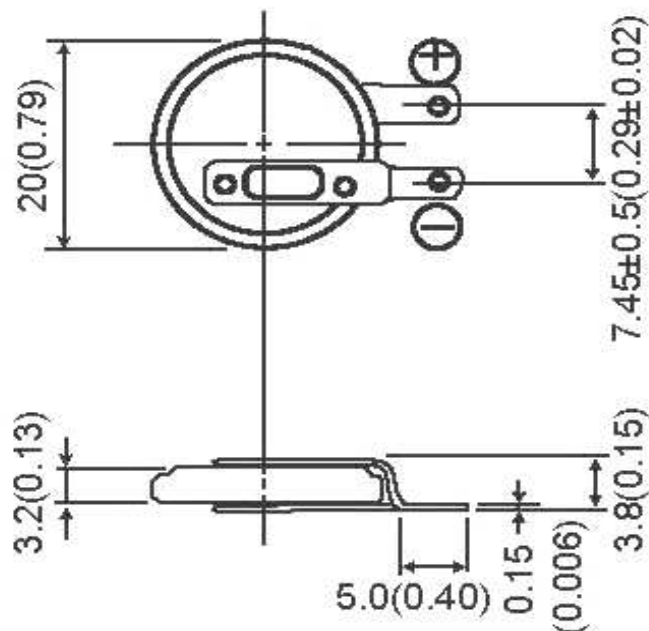
EDCON-COMPONENTS



Lead Style 09

Lead Style 10

Lead Style 11



Lithium Coin Cell Type CR-2032

Part No.: **B20011**

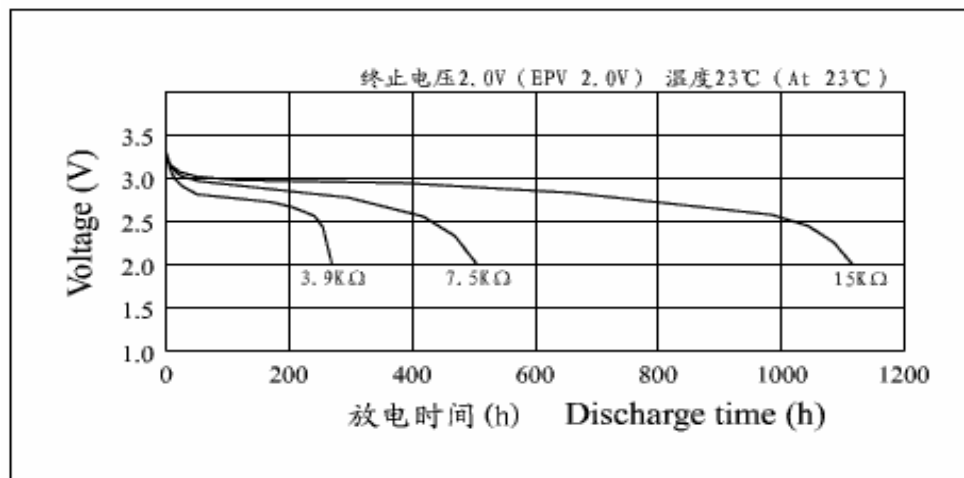
DRW:	Jason	CHKD	Wilson	MATL:	Wilson	TOLERANCE	Mason	DATE	25.01.2011
APPD:	Schumi			FINISH	Jamy		Sheet No.	5 from 9	Customer:

EDCON-COMPONENTS

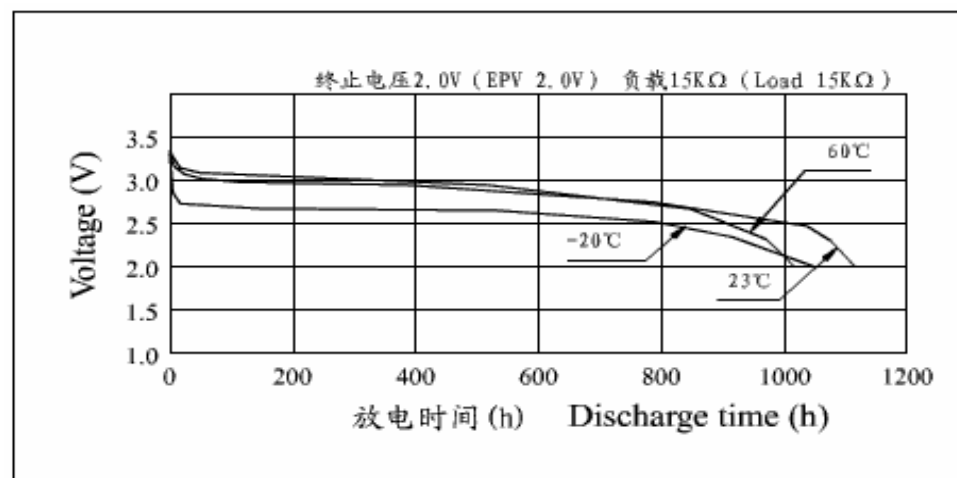


Characteristics Curve

Discharge characteristics



Temperature Characteristics



Lithium Coin Cell Type CR-2032

Part No.: **B20011**

Customer:

DRW:	Jason	CHKD	Wilson	MATL:	Wilson	TOLERANCE	Mason	DATE	25.01.2011
APPD:	Schumi			FINISH	Jamy		Sheet No.	6 from 9	

www.edcon-components.com

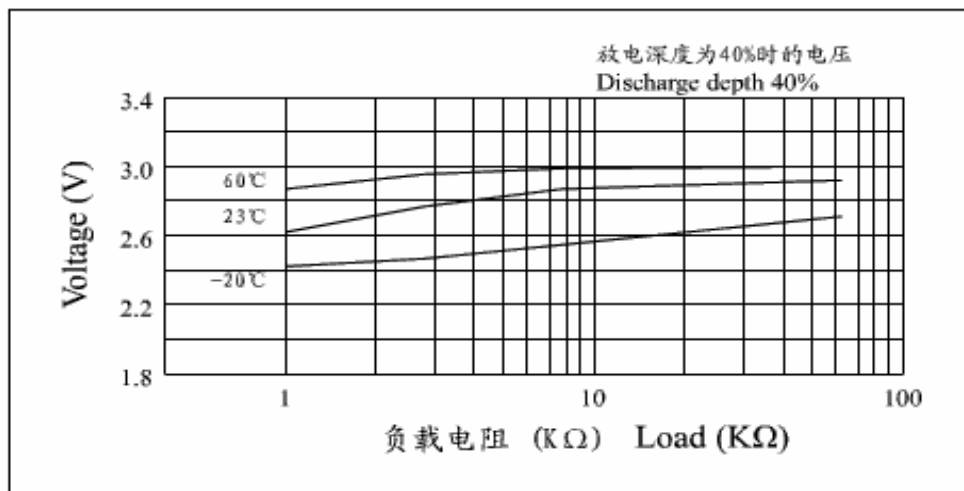
email: info@edcon-components.com

EDCON-COMPONENTS

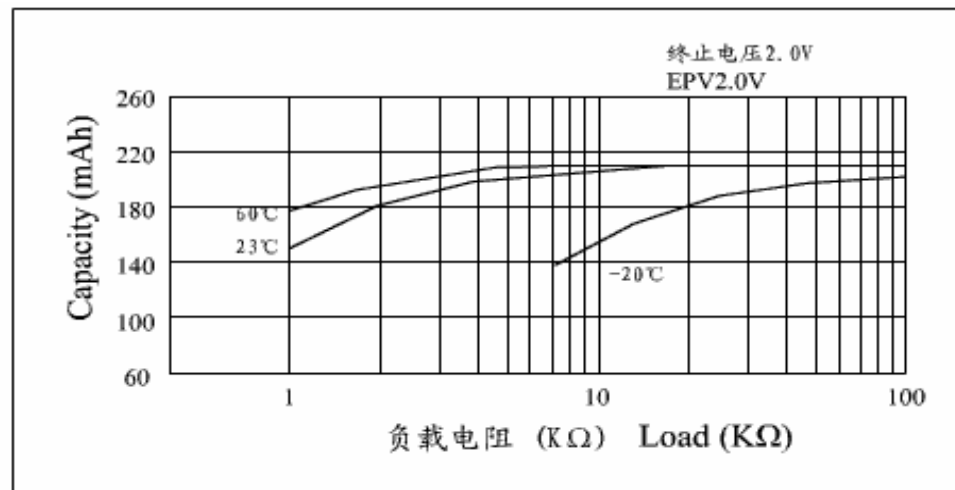


Characteristics Curve

Load vs Operating Voltage



Load vs. Capacity



Lithium Coin Cell Type CR-2032

Part No.: **B20011**

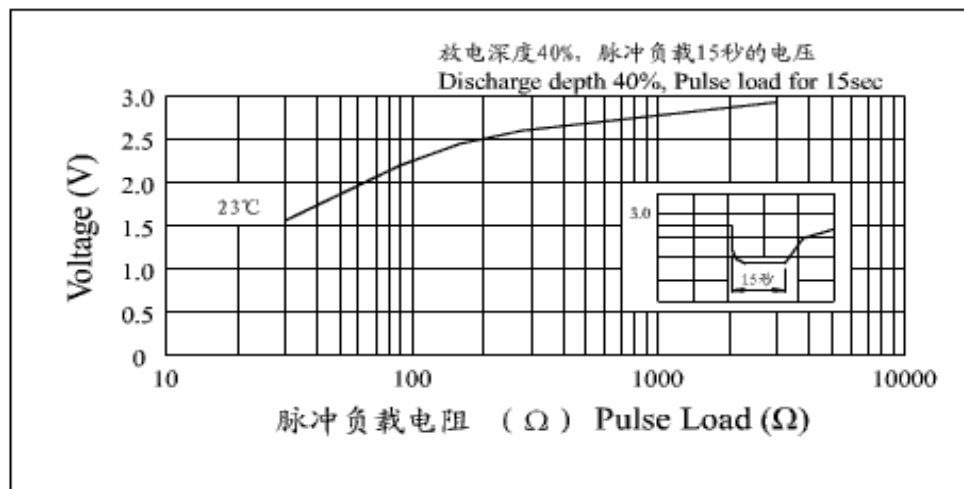
DRW:	Jason	CHKD	Wilson	MATL:	Wilson	TOLERANCE	Mason	DATE	25.01.2011
APPD:	Schumi			FINISH	Jamy		Sheet No.	7 from 9	Customer:

EDCON-COMPONENTS

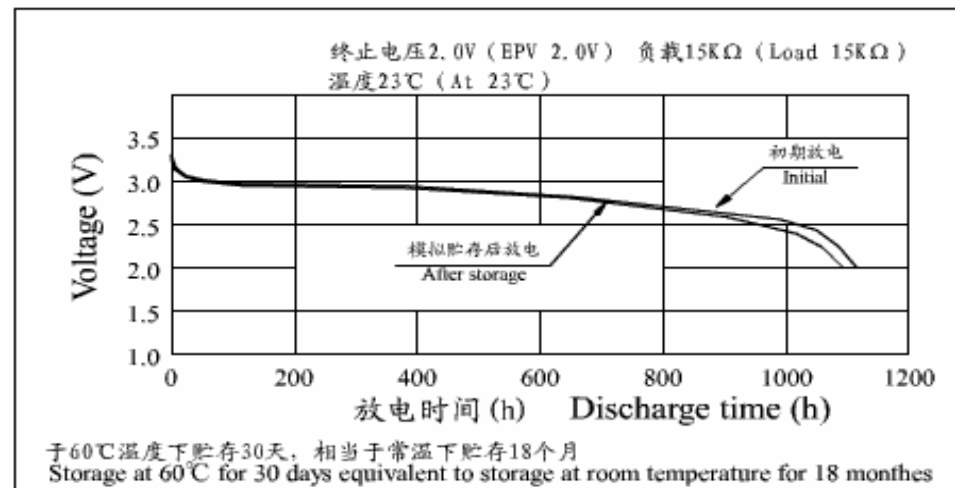


Characteristics Curve

Pulse discharge characteristics



Storage characteristics



Lithium Coin Cell Type CR-2032

Part No.: **B20011**

DRW:	Jason	CHKD	Wilson	MATL:	Wilson	TOLERANCE	Mason	DATE	25.01.2011	Customer:
APPD:	Schumi			FINISH	Jamy		Sheet No.	8 from 9		

EDCON-COMPONENTS



Ordering Informations

Serie	Type of Battery	Battery Size	Lead Style	No function	ROHS	Packing Code				
-------	-----------------	--------------	------------	-------------	------	--------------	--	--	--	--

B20011	-	CR	2032	01	0	R	IP			
---------------	---	-----------	-------------	-----------	----------	----------	-----------	--	--	--

CR= NON Rechargeable Lithium	Diameter * Thickness	00= NO function	0= NO function	R= ROHS Conform N= NON ROHS Conform	IP= Industrial Package
		01= Lead Style			TY= Tray Package
		XX= Lead Style			B1= Blister 1 Pcs
					B5= Blister 5 Pcs
					CU= Customer Special

Lithium Coin Cell Type CR-2032

Part No.: **B20011**

Customer:

DRW:	Jason	CHKD	Wilson	MATL:	Wilson	TOLERANCE	Mason	DATE	25.01.2011
APPD:	Schumi			FINISH	Jamy		Sheet No.	9 from 9	