



# DATA SHEET

## Lithium Coin Cell Type CR-1220

### Serie: B20004

Lithium Coin Cell Type CR-1220

Serie No.: **B20004**

Customer:

DRW:	Jason	CHKD	Wilson	MATL:	Wilson	TOLERANCE	Mason	DATE	25.01.2011
APPD:	Schumi			FINISH	Jamy		Sheet No.		1 from 6

# EDCON-COMPONENTS



## Specifications

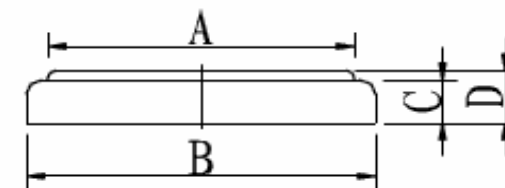
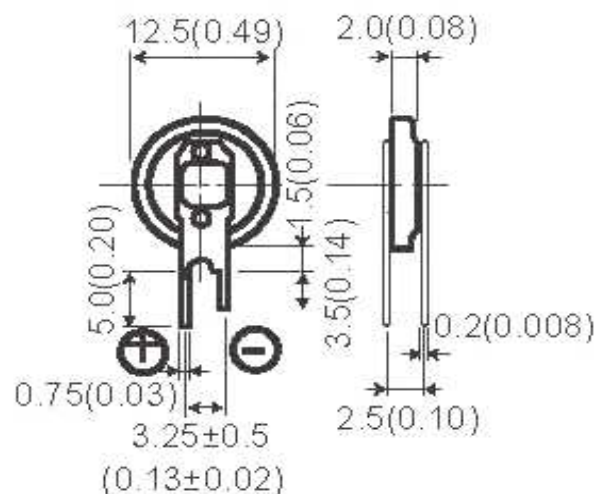
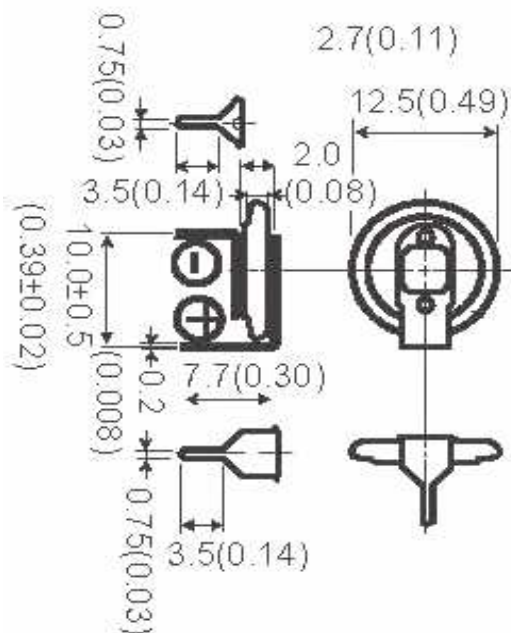
Nominal Voltage	3,0 Volt
Nominal Capacity	38 (mAH)
Continuous standard load	62 ( KΩ)
Operating Temperature	. -20 ~ + 60°C
Weight	0,8 gr.

## Dimensions (mm)

A	Ø 10,4
B	Ø 12,5 / +0,0 -0,2
C	1,4
D	2,0 / +0.0 -0,3

## Lead Style 01

## Lead Style 02



## Technical Drawing

Lithium Coin Cell Type CR-1220

Part No.: **B20004**

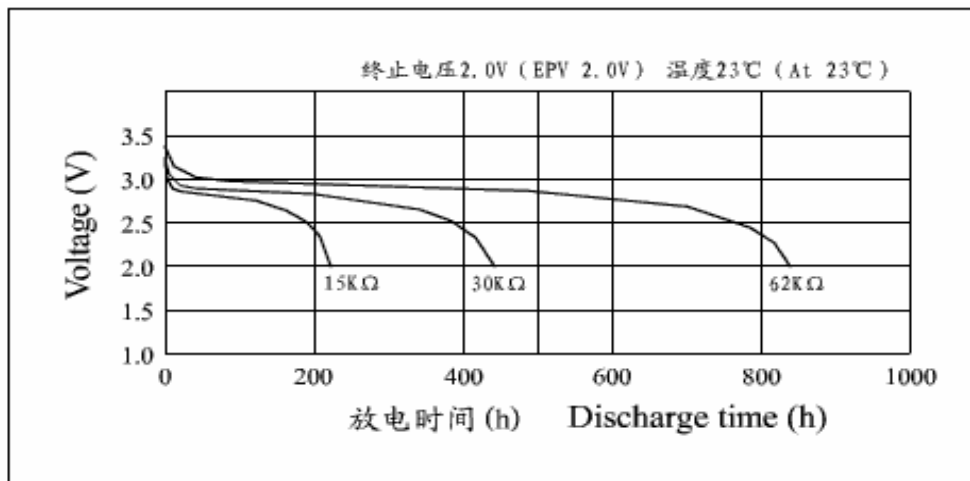
DRW:	Jason	CHKD	Wilson	MATL:	Wilson	TOLERANCE	Mason	DATE	25.01.2011	Customer:
APPD:	Schumi			FINISH	Jamy		Sheet No.	2 from 6		

# EDCON-COMPONENTS

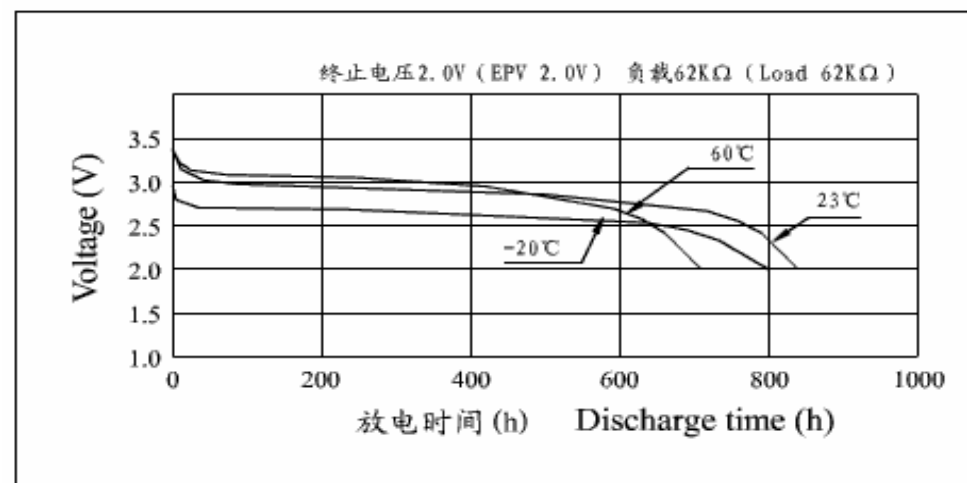


## Characteristics Curve

### Discharge characteristics



### Temperature Characteristics



Lithium Coin Cell Type CR-1220

Part No.: **B20004**

DRW:	Jason	CHKD	Wilson	MATL:	Wilson	TOLERANCE	Mason	DATE	25.01.2011
APPD:	Schumi			FINISH	Jamy		Sheet No.	3 from 6	Customer:

[www.edcon-components.com](http://www.edcon-components.com)

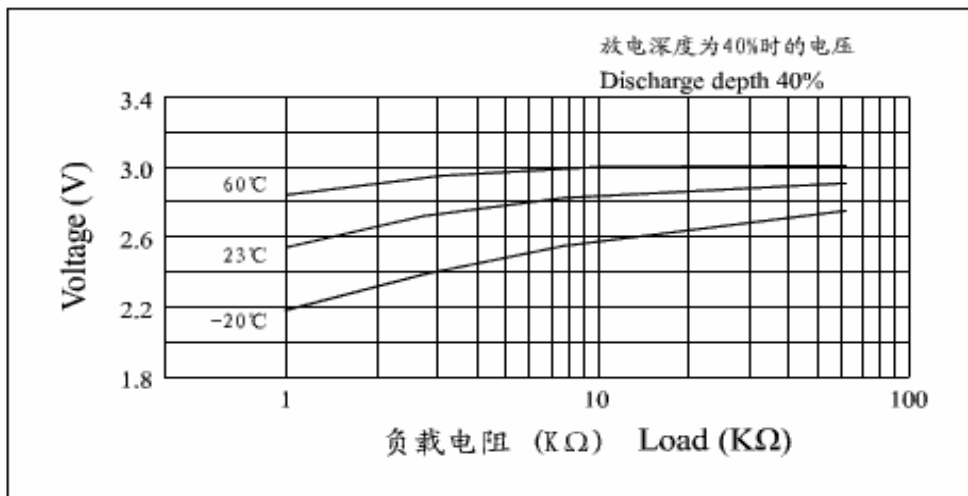
email: info@edcon-components.com

# EDCON-COMPONENTS

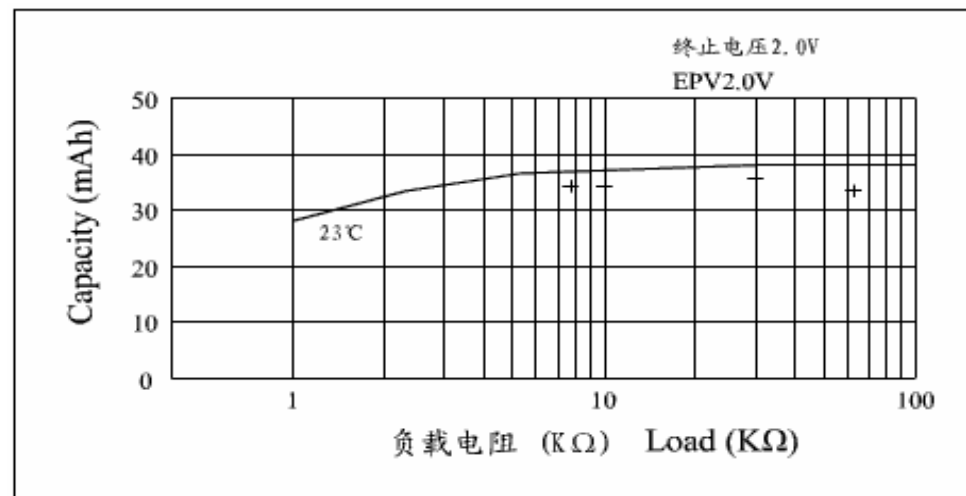


## Characteristics Curve

### Load vs Operating Voltage



### Load vs. Capacity



Lithium Coin Cell Type CR-1220

Part No.: **B20004**

DRW:	Jason	CHKD	Wilson	MATL:	Wilson	TOLERANCE	Mason	DATE	25.01.2011
APPD:	Schumi			FINISH	Jamy		Sheet No.	4 from 6	Customer:

[www.edcon-components.com](http://www.edcon-components.com)

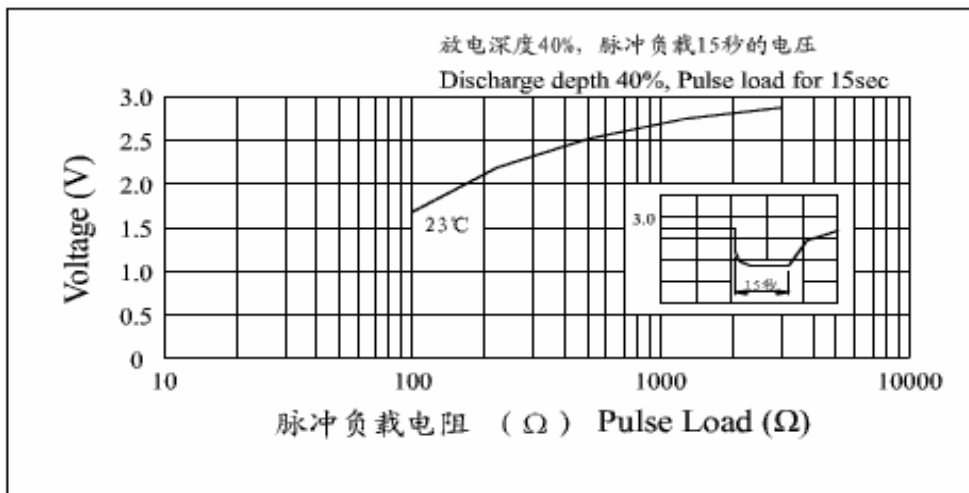
email: [info@edcon-components.com](mailto:info@edcon-components.com)

# EDCON-COMPONENTS

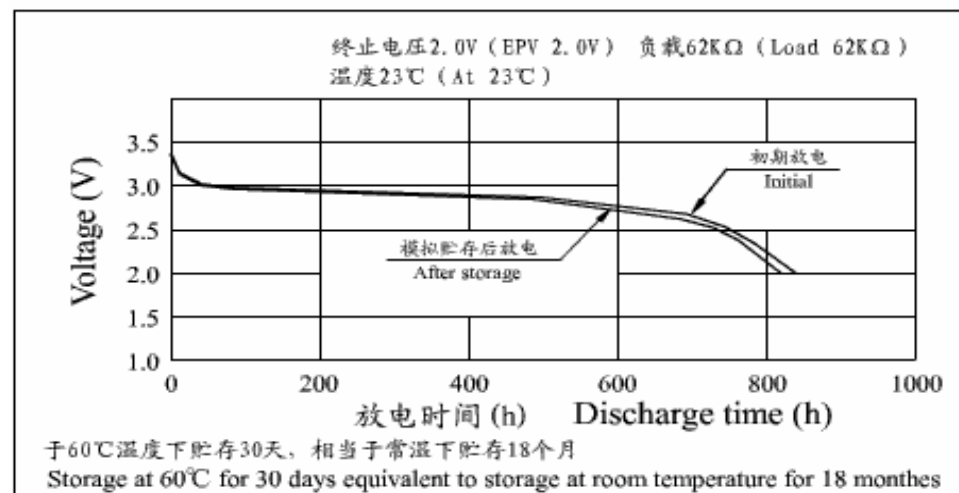


## Characteristics Curve

### Pulse discharge characteristics



### Storage characteristics



Lithium Coin Cell Type CR-1220

Part No.: **B20004**

Customer:

DRW:	Jason	CHKD	Wilson	MATL:	Wilson	TOLERANCE	Mason	DATE	25.01.2011
APPD:	Schumi			FINISH	Jamy		Sheet No.	5 from 6	

# EDCON-COMPONENTS



## Ordering Informations

Serie	Type of Battery	Battery Size	Lead Style	No function	ROHS	Packing Code				
-------	-----------------	--------------	------------	-------------	------	--------------	--	--	--	--

<b>B20004</b>	-	<b>CR</b>	<b>1220</b>	<b>01</b>	<b>0</b>	<b>R</b>	<b>IP</b>			
---------------	---	-----------	-------------	-----------	----------	----------	-----------	--	--	--

<b>CR= NON Rechargeable Lithium</b>	Diameter * Thickness	<b>00= NO function</b>	<b>0= NO function</b>	<b>R= ROHS Conform</b> <b>N= NON ROHS Conform</b>	<b>IP= Industrial Package</b>
		<b>01= Lead Style</b>			<b>TY= Tray Package</b>
		<b>02= Lead Style</b>			<b>B1= Blister 1 Pcs</b>
					<b>B5= Blister 5 Pcs</b>
					<b>CU= Customer Special</b>

**Lithium Coin Cell Type CR-1220**

Part No.: **B20004**

Customer:

DRW:	Jason	CHKD	Wilson	MATL:	Wilson	TOLERANCE	Mason	DATE	25.01.2011
APPD:	Schumi			FINISH	Jamy		Sheet No.	6 from 6	