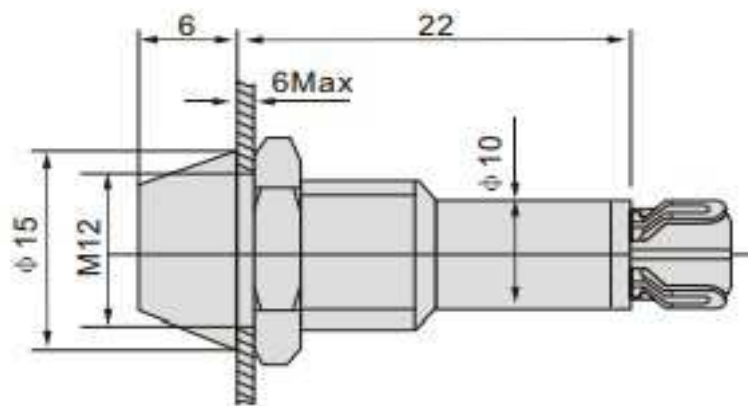
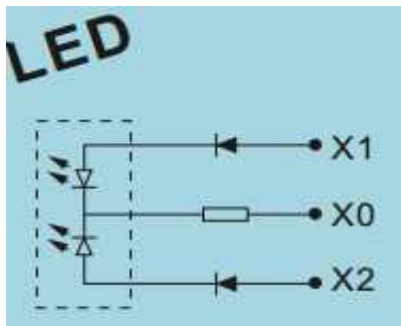


EDCON-COMPONENTS



Drawing



M12 Mounted DUO-LED-Lamp

Part No.:
Customer:

DRW:	Jason	CHKD	Wilson	MATL:	Wilson	TOLERANCE	Mason	DATE	20.05.2014
APPD:	Schumi			FINISH	Jamy		Sheet No.	1 from 2	

EDCON-COMPONENTS



Ordering Informations

Terminal

Serie	Voltage	Color of LED	Wire lead length	ROHS	Packing
M19025	A1	B1	0000	R	BU

A1= 6VDC/AC	B1= Red/Green	0000= Solder Lug	R= ROHS Conform	BU= Bulk-Ware
A2= 12VDC/AC	B2= Yellow/Green	0100= 100mm	N= NON ROHS Conform	IV= Individual Package
A3= 24VDC/AC	B3= Red/Blue	0250= 250mm		
A4= 36VDC/AC	B4= Yellow/Blue	xxxx= xxxmm		
A5= 48VDC/AC				
A6= 110VDC/AC				
A7= 127VDC/AC				
A8= 220VDC/AC				

M12 Mounted DUO-LED-Lamp

Part No.: **M19025**

DRW:	Jason	CHKD	Wilson	MATL:	Wilson	TOLERANCE	Mason	DATE	20.05.2014	Customer:
APPD:	Schumi			FINISH	Jamy		Sheet No.	2 from 2		