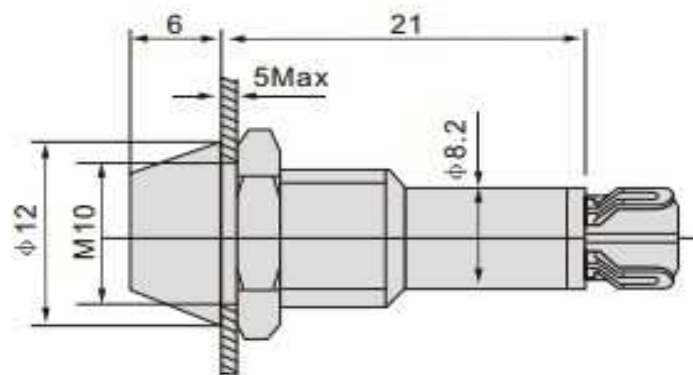
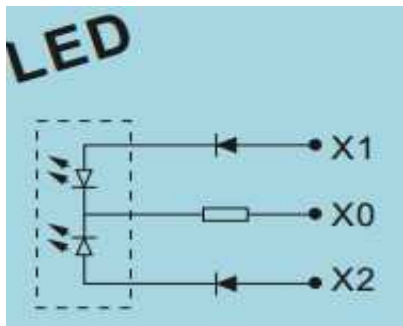


# EDCON-COMPONENTS



## Drawing



**M10 Mounted DUO-LED-Lamp**

Part No.:  
Customer:

DRW:	Jason	CHKD	Wilson	MATL:	Wilson	TOLERANCE	Mason	DATE	20.05.2014
APPD:	Schumi			FINISH	Jamy		Sheet No.	1 from 2	

# EDCON-COMPONENTS



## Ordering Informations

### Terminal

Serie	Voltage	Color of LED	Wire lead length	ROHS	Packing
M19024	A1	B1	0000	R	BU

<b>A1=</b> 6VDC/AC	<b>B1=</b> Red/Green	<b>0000=</b> Solder Lug	<b>R=</b> ROHS Conform	<b>BU=</b> Bulk-Ware
<b>A2=</b> 12VDC/AC	<b>B2=</b> Yellow/Green	<b>0100=</b> 100mm	<b>N=</b> NON ROHS Conform	<b>IV=</b> Individual Package
<b>A3=</b> 24VDC/AC	<b>B3=</b> Red/Blue	<b>0250=</b> 250mm		
<b>A4=</b> 36VDC/AC	<b>B4=</b> Yellow/Blue	<b>xxxx=</b> xxxmm		
<b>A5=</b> 48VDC/AC				
<b>A6=</b> 110VDC/AC				
<b>A7=</b> 127VDC/AC				
<b>A8=</b> 220VDC/AC				

**M10 Mounted DUO-LED-Lamp**

Part No.: **M19024**

DRW:	Jason	CHKD	Wilson	MATL:	Wilson	TOLERANCE	Mason	DATE	20.05.2014	Customer:
APPD:	Schumi			FINISH	Jamy		Sheet No.	2 from 2		