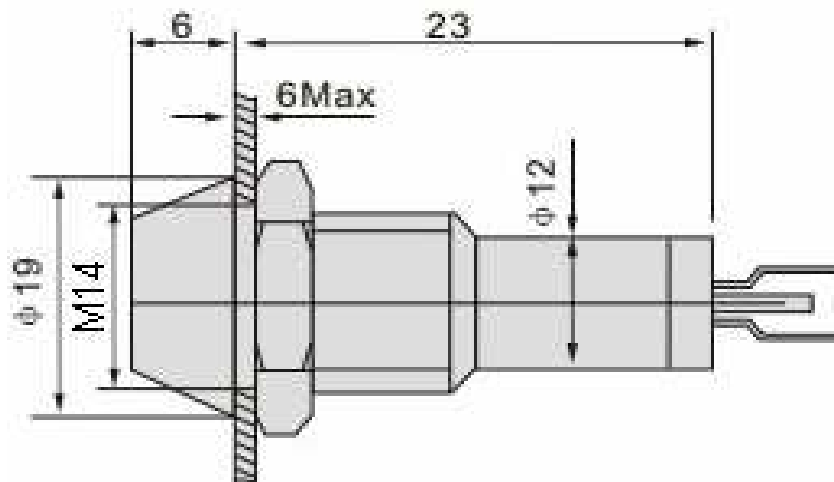
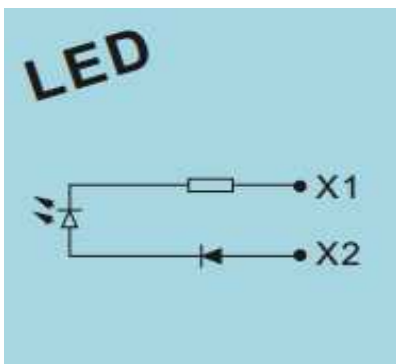




Drawing



M14 Mounted LED-Lamp	
Part No.:	M19022
Customer:	

DRW:	Jason	CHKD	Wilson	MATL:	Wilson	TOLERANCE	Mason	DATE	20.05.2014
APPD:	Schumi			FINISH	Jamy		Sheet No.	1 from 2	

EDCON-COMPONENTS



Ordering Informations

Terminal

Serie	Voltage	Color of LED	Wire lead length	Core end	ROHS	Packing
-------	---------	--------------	------------------	----------	------	---------

M19022	A1	B1	0000	A	R	BU
--------	----	----	------	---	---	----

A1= 6VDC/AC	B1= Red	0000= Solder Lug	A= insulated Terminal	R= ROHS Conform	BU= Bulk-Ware
A2= 12VDC/AC	B2= Green	0100= 100mm		N= NON ROHS Conform	IV= Individual Package
A3= 24VDC/AC	B3= Yellow	0250= 250mm			
A4= 36VDC/AC	B4= Blue	0500= 500mm			
A5= 48VDC/AC	B5= WhiteRed	xxxx= xxxmm			
A6= 110VDC/AC					
A7= 127VDC/AC					
A8= 220VDC/AC					

M14 Mounted LED-Lamp

Part No.: **M19022**

DRW:	Jason	CHKD	Wilson	MATL:	Wilson	TOLERANCE	Mason	DATE	20.05.2014	Customer:
APPD:	Schumi			FINISH	Jamy		Sheet No.		2 from 2	