



Technical Specification

Insulator Material:	PA BK V0 GF30
Contact Resistance:	30m Ohm max.
Insulator Resistance:	1000 M Ohm max.
Temperature Rating:	.-55°C ~ 105°C
Contact Material:	copper alloy
Contact:	Tin Plated over Nickel
Durability:	50 Cycles min.
Application for:	Coin Cell Type
Battery Dimension:	D= 20,0mm / T=1,6mm / 2,0mm / 3,2mm

Ordering Information

Serie	Contact Material	Contact Plating	ROHS	Packing		
-------	------------------	-----------------	------	---------	--	--

B23050	PB	TN	R	BU		
---------------	-----------	-----------	----------	-----------	--	--

PB= Phosphor Bronze	TN= Tin plated	N= Non ROHS	BU= Bulk- Ware
	GF= Gold Flash	R= ROHS Conform	TY= Tray

Battery Coin Cell Holder

Part No.: **B23050**

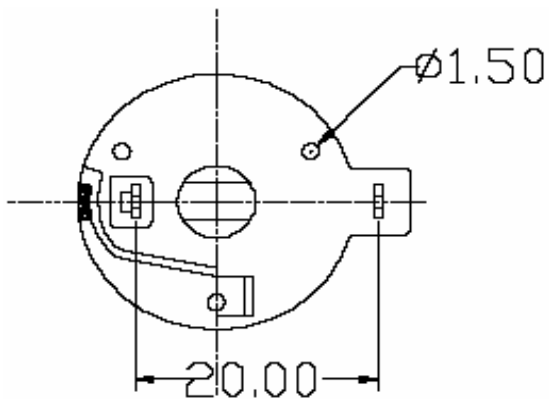
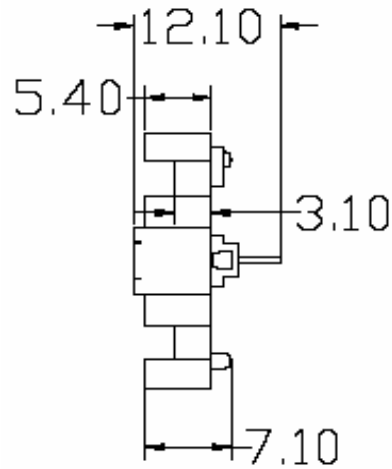
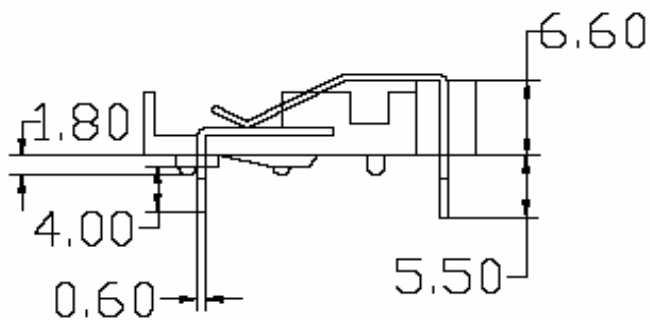
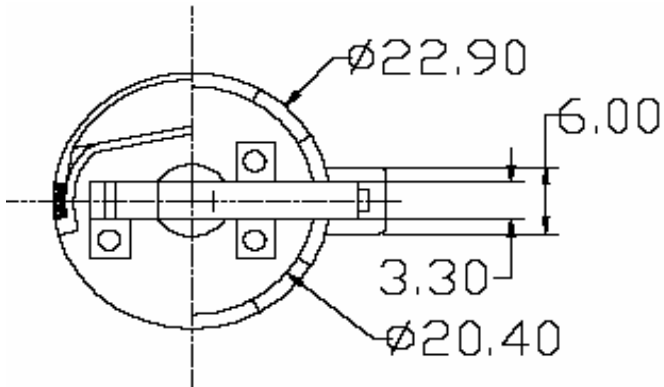
Customer:

DRW:	Jason	CHKD	Jules	MATL:	Wu	DATE	12.03.2011
APPD:	Join			FINISH	Shieh	Sheet	1 from 3



Technical Dimensions

PCB Layout



Battery Coin Cell Holder	
Part No.:	B23050
Customer:	

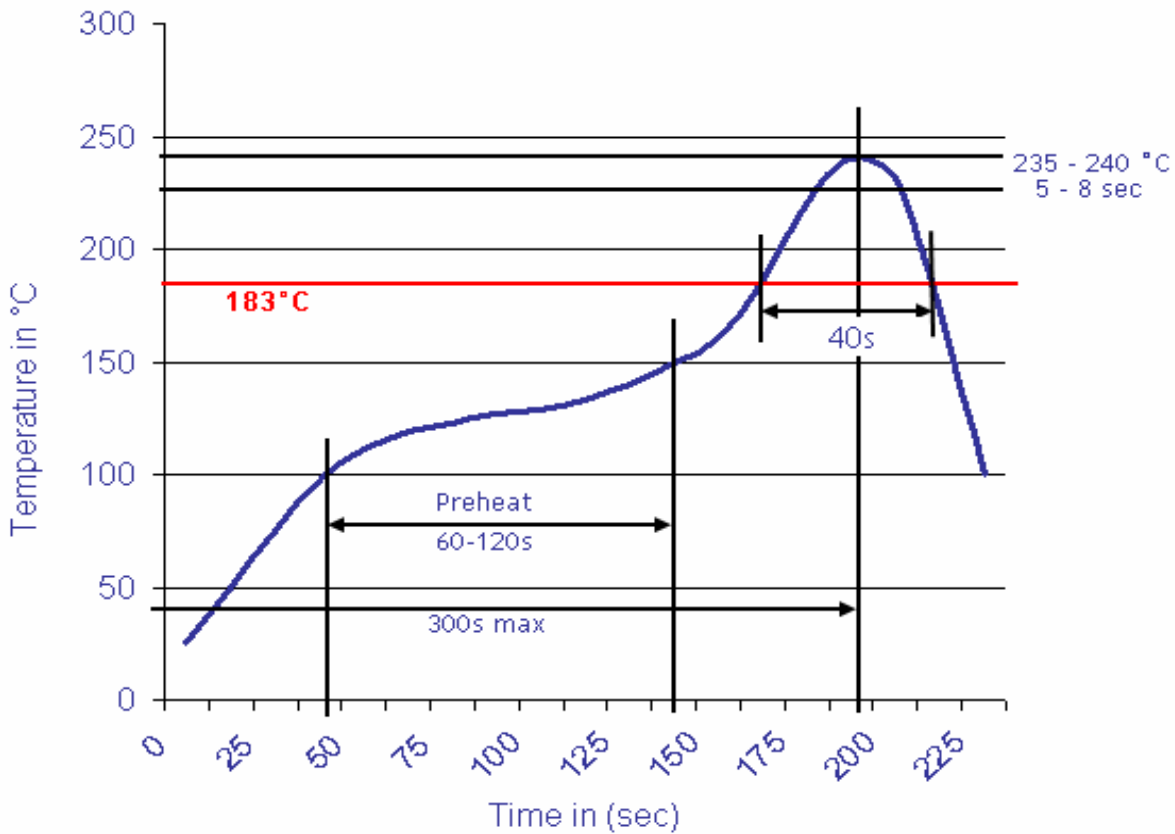
DRW:	Jason	CHKD	Jules	MATL:	Wu	DATE	12.03.2011
APPD:	Join			FINISH	Shieh	Sheet	2 from 3



Technical Dimensions

Soldering Profile Curve

Classification Reflow Profile (JEDEC J-STD-020C)



Battery Coin Cell Holder

Part No.: **B23050**

Customer:

DRW:	Jason	CHKD	Jules	MATL:	Wu	DATE	12.03.2011
APPD:	Join			FINISH	Shieh	Sheet	3 from 3