

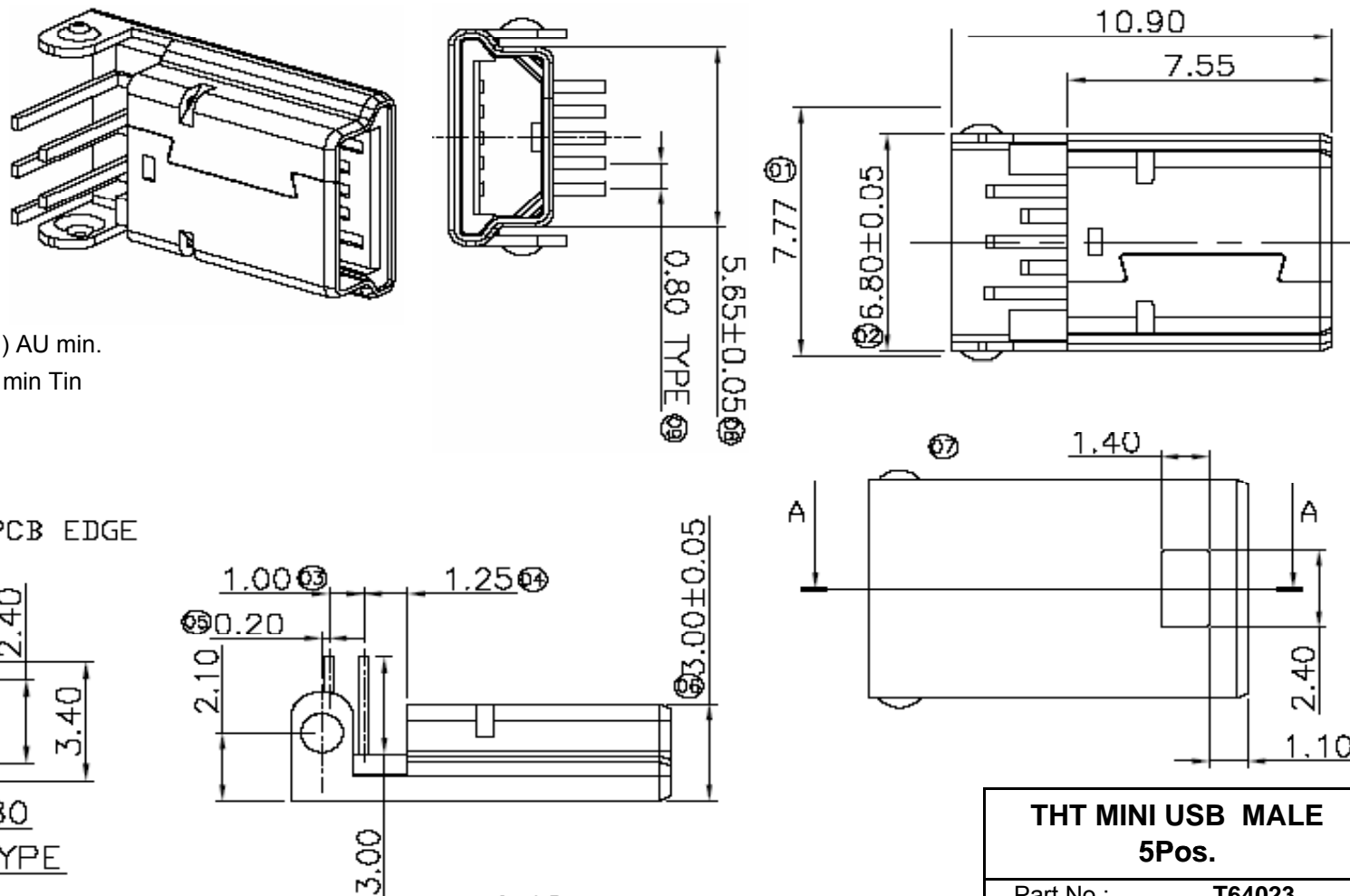
# EDCON-COMPONENTS



## Technical Description

Contact Rating:	1,0A
Dielectric Withst, Voltage:	Voltage 100VAC
Insulation Resistance:	100 Mega $\Omega$ Min.
Contact Resistance:	50 Milli $\Omega$ Max.
Operating Voltage:	0°C ~ +50°C
Intervene Force	35N Max.
Separation Force:	7N Max.
Singularity Retention:	4N Max.
Contact Material:	Copper Alloy
Insulator Material:	LCP
Shell Material:	Copper Alloy
Contact Plating: (Area)	0,75 Micro Meter (30 $\mu$ ) AU min.
Solder Area:	2,5Micro Meter (100 $\mu$ ) min Tin

## Drawing



<b>THT MINI USB MALE 5Pos.</b>	
Part No.:	<b>T64023</b>
Customer:	

DRW:	Jason	CHKD	Wilson	MATL:	Wilson	TOLERANCE	Mason	DATE	24.01.2020
APPD:	Schumi			FINISH	Jamy		Sheet No.	1 from 3	

# EDCON-COMPONENTS



## Ordering Informations

Serie	ROHS	Packing				
-------	------	---------	--	--	--	--

T64023	-	R	TY			
--------	---	---	----	--	--	--

R= ROHS Conform	TY= Tray (Standard)	
N= NON ROHS Conform		

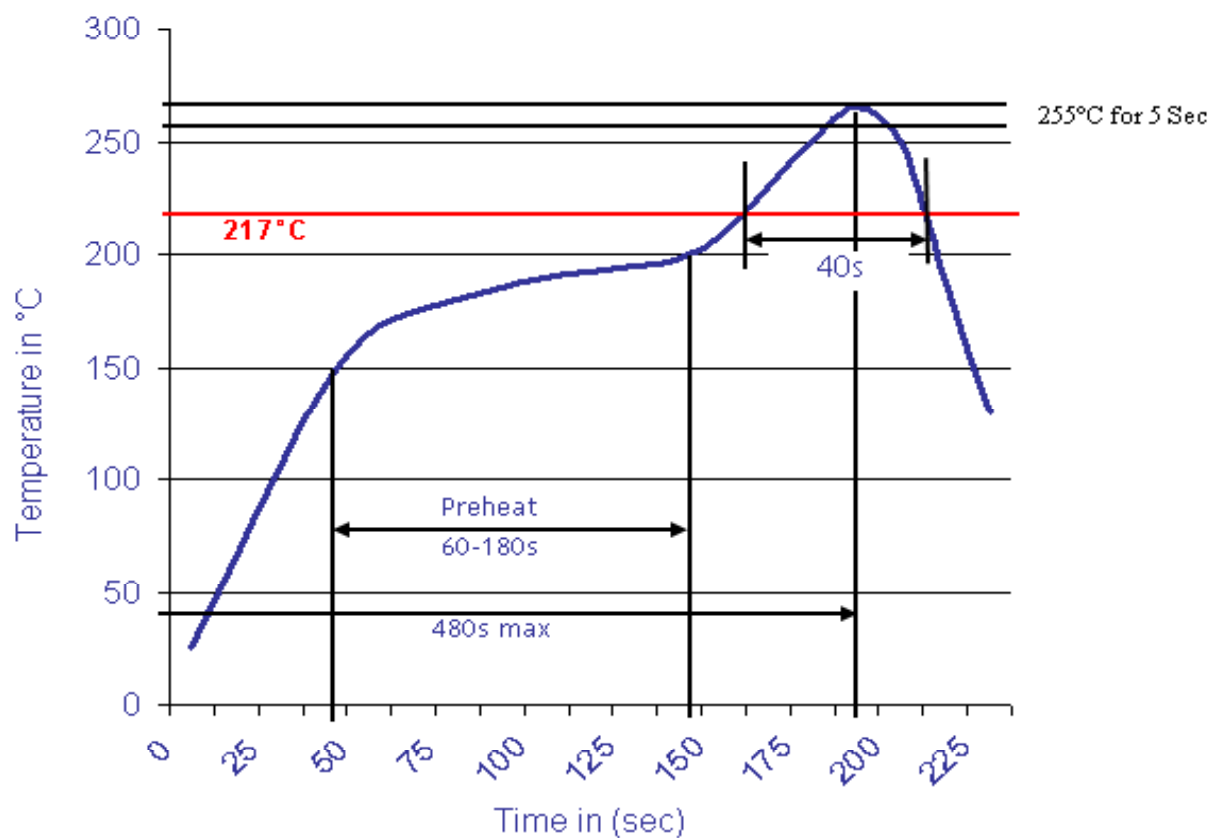
<b>THT MINI USB MALE 5Pos.</b>
Part No.: <b>T64023</b>
Customer:

DRW:	Jason	CHKD	Wilson	MATL:	Wilson	TOLERANCE	Mason	DATE	24.01.2020
APPD:	Schumi			FINISH	Jamy		Sheet No.	2 from 3	



Soldering Profile Curve

Classification Reflow Profile (JEDEC J-STD-020C)



<b>THT MINI USB MALE 5Pos.</b>	
Part No.:	<b>T64023</b>
Customer:	

DRW:	Jason	CHKD	Wilson	MATL:	Wilson	TOLERANCE	Mason	DATE	24.01.2020
APPD:	Schumi			FINISH	Jamy		Sheet No.	3 from 3	