

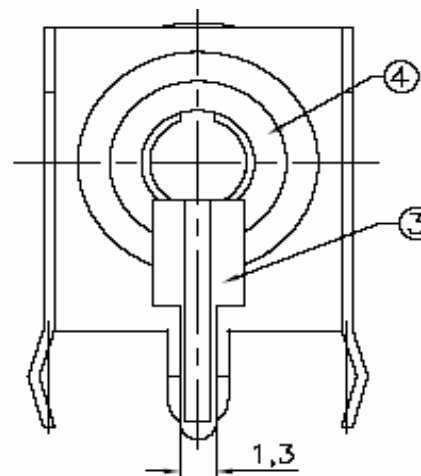
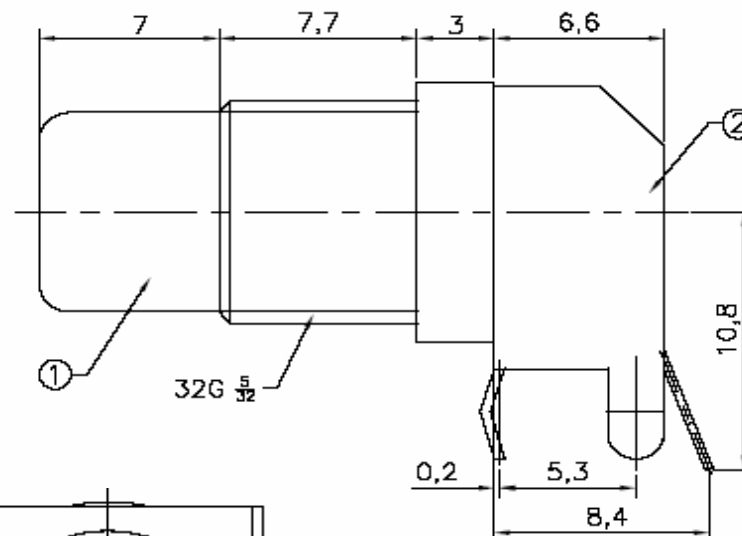
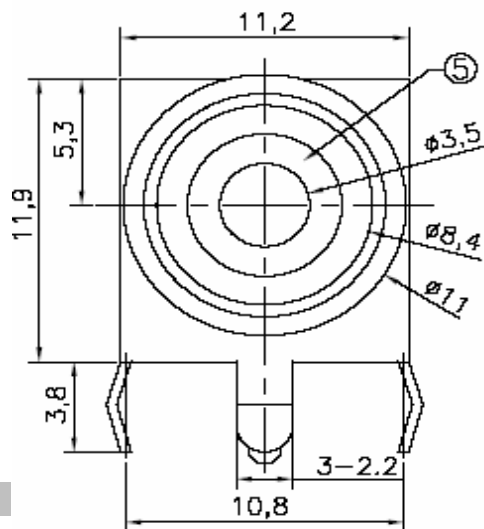
EDCON-COMPONENTS



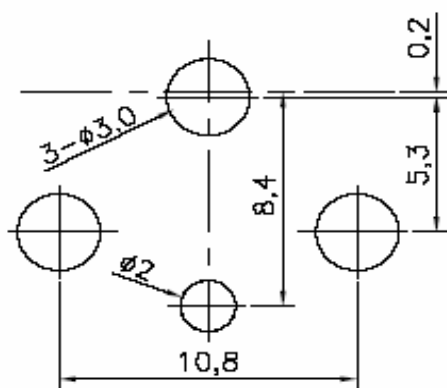
Technical Discription

Insulator Material: 5	PDM
Insulator Material: 4	P.B.T.
Terminal Material: 3	Bronze t=0,3mm
Chassis Material: 2	Steel t=0,4mm
Body Material: 1	Brass
Insulator Finish : 5	Look order table
Insulator Finish : 4	White
Terminal Finis: 3	Sn Plated
Chassis Finish: 2	Sn Plated
Body Finish: 1	Au Plated

Drawing



PCB Layout



THT RCA Connector

Part No.: **T53074**

Customer:

DRW:	Jason	CHKD	Wilson	MATL:	Wilson	TOLERANCE	Mason	DATE	03.11.2010
APPD:	Schumi			FINISH	Jamy		Sheet No.	1 from 3	

EDCON-COMPONENTS



Ordering Informations

Serie	Color	ROHS	Packing			
T53074	BK	R	BU			

BK = Black	R = ROHS Conform	BU = Bulk-Ware
YE = Yellow	N = NON ROHS Conform	
WH = White		
RD = Red		

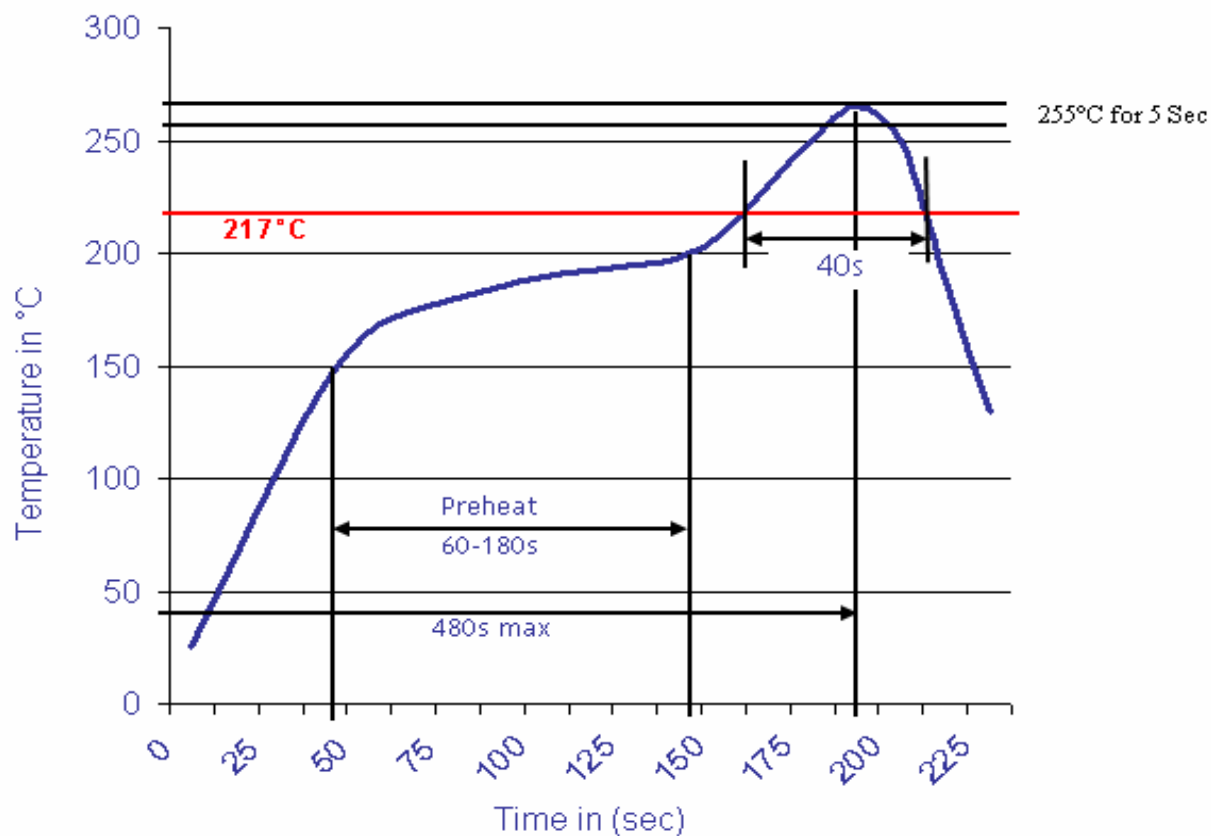
THT RCA Connector
Part No.: T53074
Customer:

DRW:	Jason	CHKD	Wilson	MATL:	Wilson	TOLERANCE	Mason	DATE	03.11.2010
APPD:	Schumi			FINISH	Jamy		Sheet No.	2 from 3	



Soldering Profile Curve

Classification Reflow Profile (JEDEC J-STD-020C)



THT RCA Connector

Part No.: **T53074**

DRW:	Jason	CHKD	Wilson	MATL:	Wilson	TOLERANCE	Mason	DATE	03.11.2010	Customer:
APPD:	Schumi			FINISH	Jamy		Sheet No.	3 from 3		