

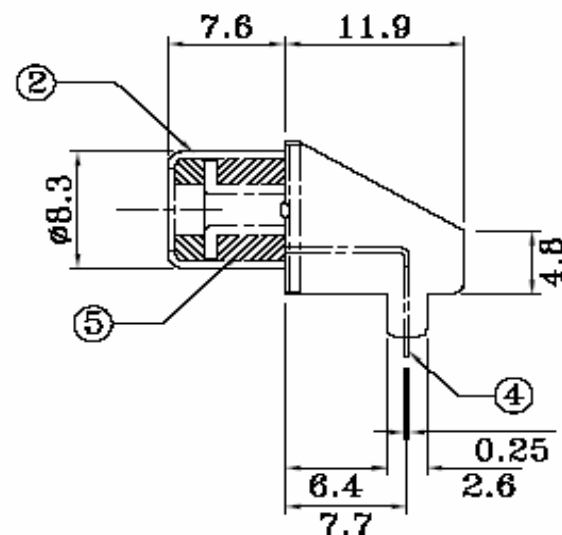
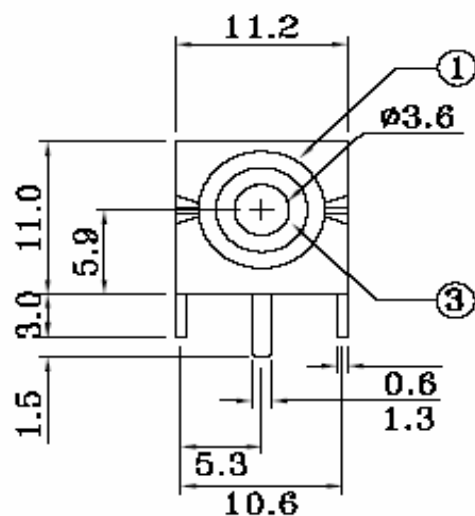
EDCON-COMPONENTS



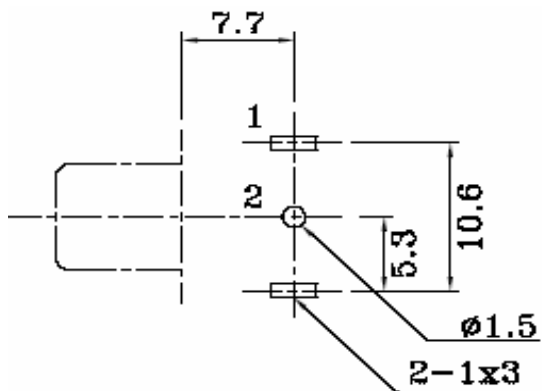
Technical Description

Bracket Material:	C.R.S.
Barrel:	C.R.S.
Insert Ring	P.B.T
Center Pin	Brass
Insulator	P.B.T
Bracket Finish:	Sn Plated
Barrel Finish:	Sn Plated
Insert Ring Finish:	Look Order Code table
Center Pin Finish:	Sn Plated
Insulator Color:	White

Drawing



PCB Layout



THT RCA Connector

Part No.: **T53023**

Customer:

DRW:	Jason	CHKD	Wilson	MATL:	Wilson	TOLERANCE	Mason	DATE	03.11.2010
APPD:	Schumi			FINISH	Jamy		Sheet No.	1 from 3	

EDCON-COMPONENTS



Ordering Informations

Serie	Color	ROHS	Packing			
T53023	BK	R	BU			

BK = Black	R = ROHS Conform	BU = Bulk-Ware
YE = Yellow	N = NON ROHS Conform	
WH = White		
RD = Red		

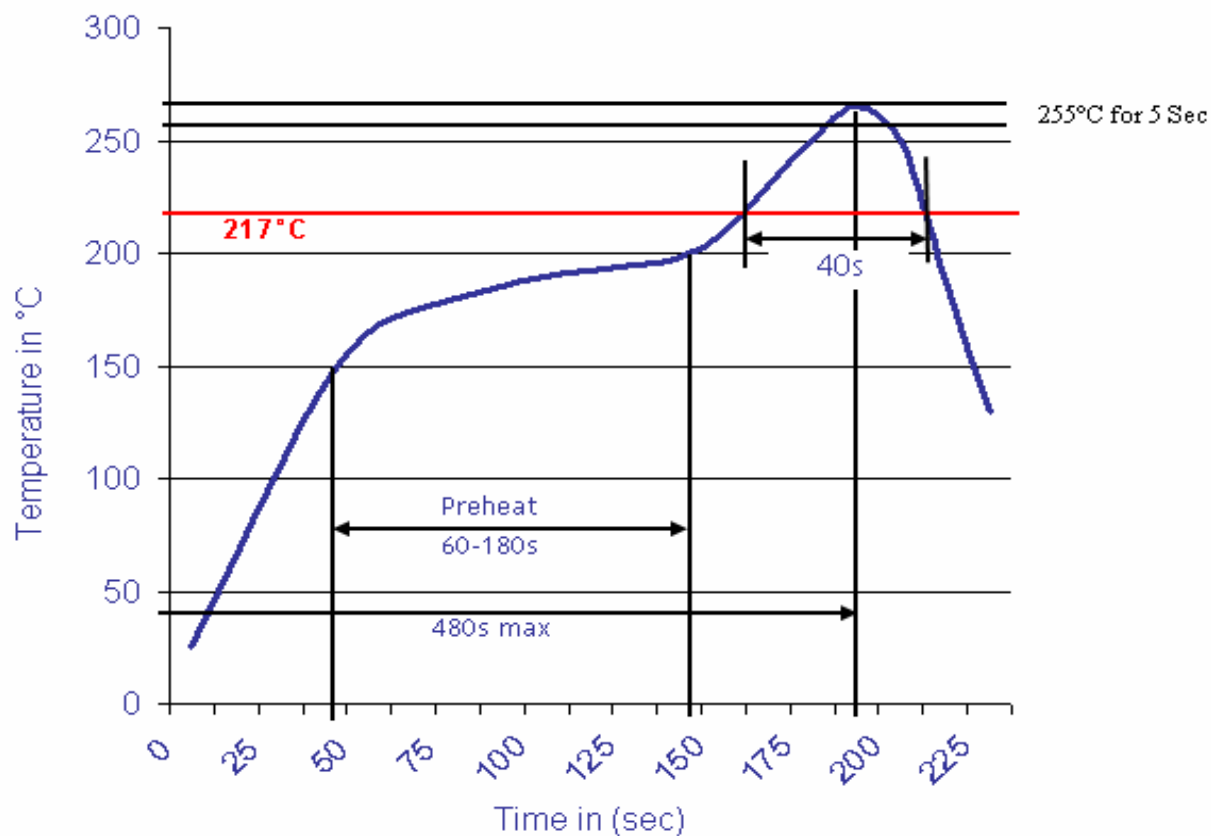
THT RCA Connector
Part No.: T53023
Customer:

DRW:	Jason	CHKD	Wilson	MATL:	Wilson	TOLERANCE	Mason	DATE	03.11.2010
APPD:	Schumi			FINISH	Jamy		Sheet No.	2 from 3	



Soldering Profile Curve

Classification Reflow Profile (JEDEC J-STD-020C)



THT RCA Connector

Part No.: **T53023**

DRW:	Jason	CHKD	Wilson	MATL:	Wilson	TOLERANCE	Mason	DATE	03.11.2010
APPD:	Schumi			FINISH	Jamy		Sheet No.	3 from 3	Customer: