

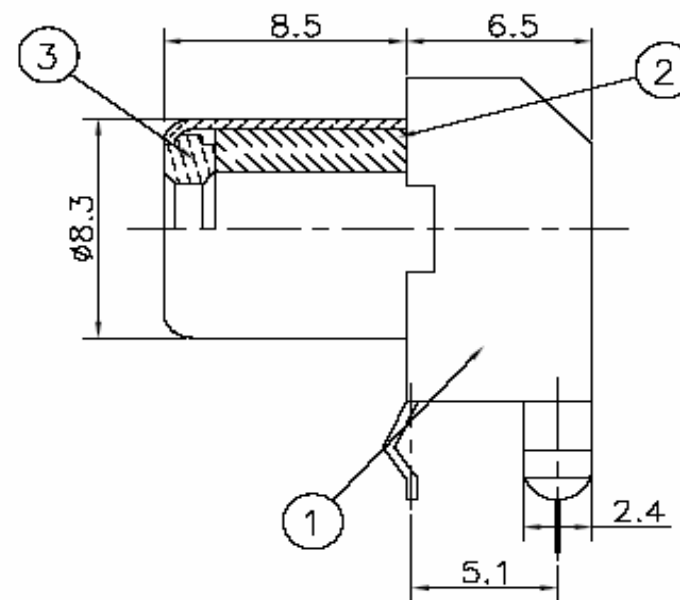
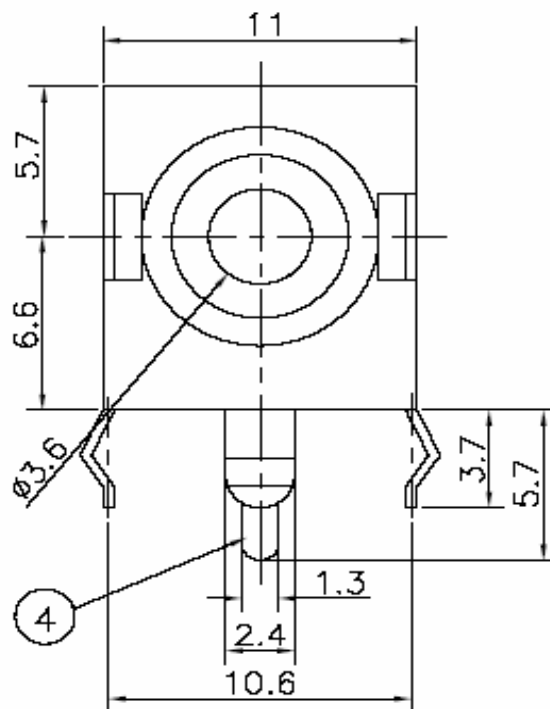
EDCON-COMPONENTS



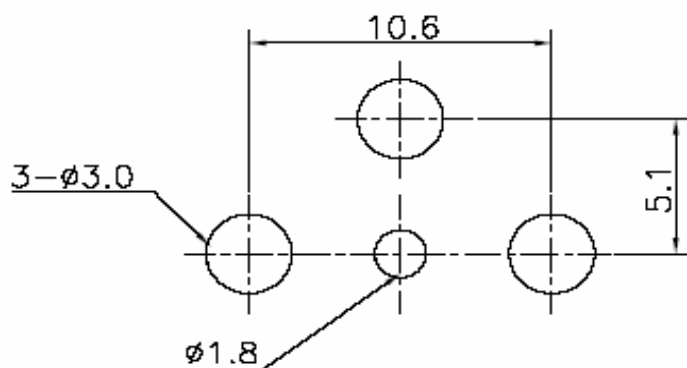
Technical Description

Body Material: Steel T=,4mm
 Body Finish: Ni
 Insulator Material 1: PBT
 Insulator Material 2: PBT
 Insulator Color 2: Look order code
 Terminal Material: Bronze t=0,2mm
 Terminal Material Finish: Sn

Drawing



PCB Layout



THT RCA Connector

Part No.: **T53021**

Customer:

DRW:	Jason	CHKD	Wilson	MATL:	Wilson	TOLERANCE	Mason	DATE	03.11.2010
APPD:	Schumi			FINISH	Jamy		Sheet No.	1 from 3	

EDCON-COMPONENTS



Ordering Informations

Serie	Color	ROHS	Packing			
T53021	BK	R	BU			

BK = Black	R = ROHS Conform	BU = Bulk-Ware
YE = Yellow	N = NON ROHS Conform	
WH = White		
RD = Red		

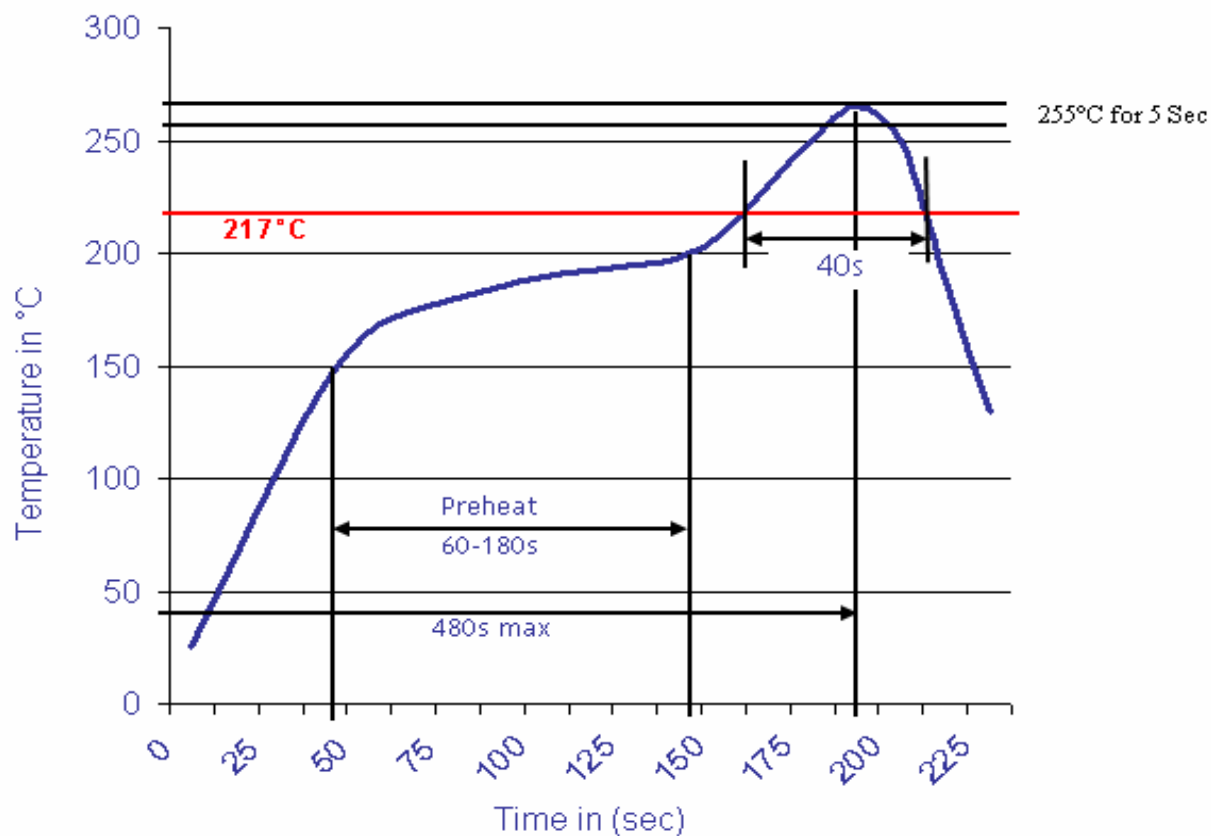
THT RCA Connector
Part No.: T53021
Customer:

DRW:	Jason	CHKD	Wilson	MATL:	Wilson	TOLERANCE	Mason	DATE	03.11.2010
APPD:	Schumi			FINISH	Jamy		Sheet No.	2 from 3	



Soldering Profile Curve

Classification Reflow Profile (JEDEC J-STD-020C)



THT RCA Connector

Part No.: **T53021**

DRW:	Jason	CHKD	Wilson	MATL:	Wilson	TOLERANCE	Mason	DATE	03.11.2010	Customer:
APPD:	Schumi			FINISH	Jamy		Sheet No.	3 from 3		