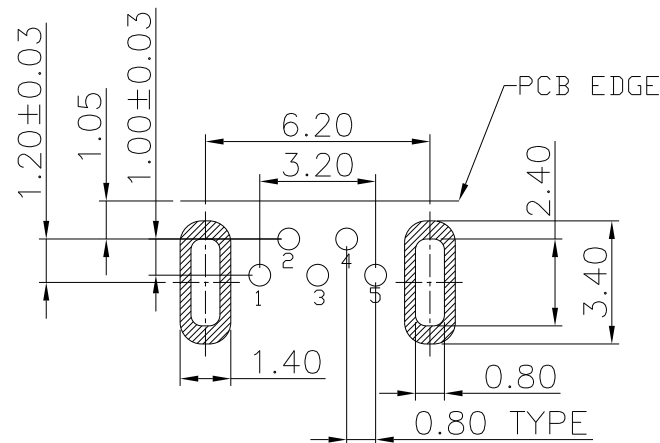
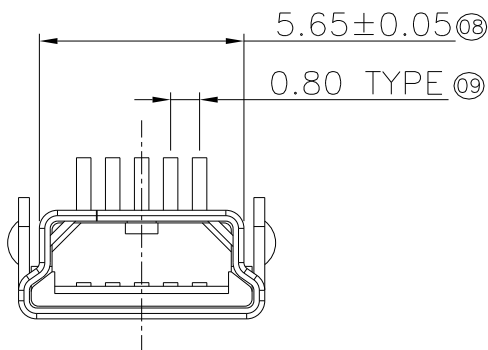
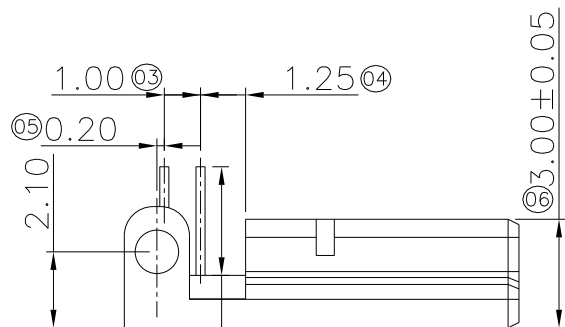
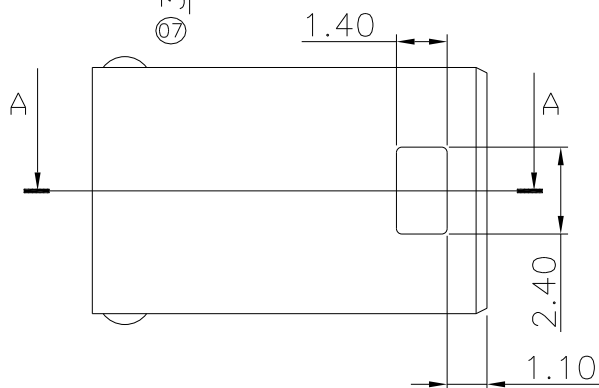


NOTES:
 1.MATERIAL:
 SHELL:STEEL,THICKNES=0.30mm,PLATED
 NICKEL OVER ALL;
 HOUSING:LCP,UL94V-0,BLACK;
 CONTACT:BRASS,SELECTIVE GOLD 30U"
 PLATED OVER NICKEL;
 2.VOLTAGE:30 Vac (rms);
 3.CURRENT:1.0A AT 250VAC MIN.



Printed Circuit Board (PCB) LAYOUT



TOLERANCE		UNITS mm	NAME(INTENDED USE)	DIHTAIN PRECISION IND. CO.,LTD.								
0~6±0.1	X.*±1.5°	MAT'L	PART NO.(INTENDED USE)	TITLE:								
6~20±0.2	.X.*±1°		DTC-3002	CUSTOMER								
20~90±0.3	.XX.*±0.5°	FINISH	APPD:	DWG NO.:								
<small>THESE DRAWINGS AND SPECIFICATIONS ARE THE PROPERTY OF DIHTAIN PRECISION IND. CO., LTD. AND SHALL NOT BE REPRODUCED, COPIED OR USED IN ANY MANNER WITHOUT THE PRIOR WRITTEN CONSENT OF DIHTAIN PRECISION IND. CO., LTD.</small>			Q'TY	2007-3002-001								
			CHKD:	<table border="1"> <tr> <td>SCALE</td> <td>SHEET</td> <td>REV.</td> </tr> <tr> <td>N/A</td> <td>1/1</td> <td>A</td> </tr> </table>			SCALE	SHEET	REV.	N/A	1/1	A
			SCALE				SHEET	REV.				
N/A	1/1	A										
DR:	CH 2007/6/22											