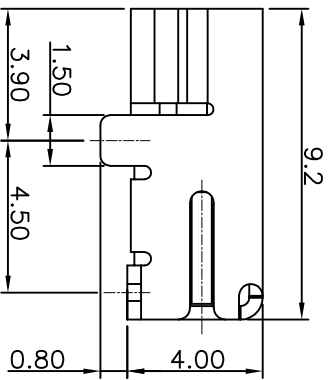


RECOMMENDED PCB LAYOUT



NOTES:

1.ELECTRICAL CHARACTERISTIC

Contact current rating: 1.0 Amperes,
 Dielectric withstanding Voltage: 100V AC,
 Insulation Resistance: 100 Megohms Min.,
 Contact Resistance: 50 milliohms Max.,
 Operating Temperature: 0°C to +50°C.

2.MECHANICAL CHARACTERISTICS:

Intervene Force: 35N .Max.
 Separation Force: 7N .Min.
 Singularity Retentivity: 4N .Min .

3.MATERIALS:

Contact: Copper Alloy,
 Insulator: LCP,
 Shell :Copper Alloy.

4.PLATING:

TERMINAL:
 Contact Area: Gold 0.75Micro Meter(30u") Min.,
 Solder Tail Area: Tin 2.5Micro Meter(100u") Min.,
 Under Plating: Nickel 1.25Micro Meter(50u") Min.,
 SHELL:
 Shell Plating: Nickel 2Micro Meter(80u") Min.

TOLERANCE	UNITS	NAME(INTENDED USE)	DHITAIN
0~6±0.1	X:±1.5° MAT'L		PRECISION IND. CO.,LTD.
6~20±0.2	.X'±1°	PART NO.(INTENDED USE)	TITLE:
20~90±0.3, .XX'±0.5°	FINISH	DTC-3003	CUSTOMER
THESE DRAWINGS AND SPECIFICATIONS ARE THE PROPERTY OF DHITAIN PRECISION IND. CO.,LTD. AND SHALL NOT BE REPRODUCED OR TRANSMITTED IN ANY FORM OR BY ANY MEANS, WITHOUT THE PRIOR WRITTEN CONSENT OF DHITAIN PRECISION IND. CO., LTD.		APPD:	DWG NO.:
	QTY	CHKD:	2007-3003-001
		DR:	SCALE SHEET REV.
		CH 2007/6/22	N/A 1/1 A