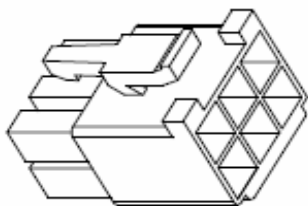


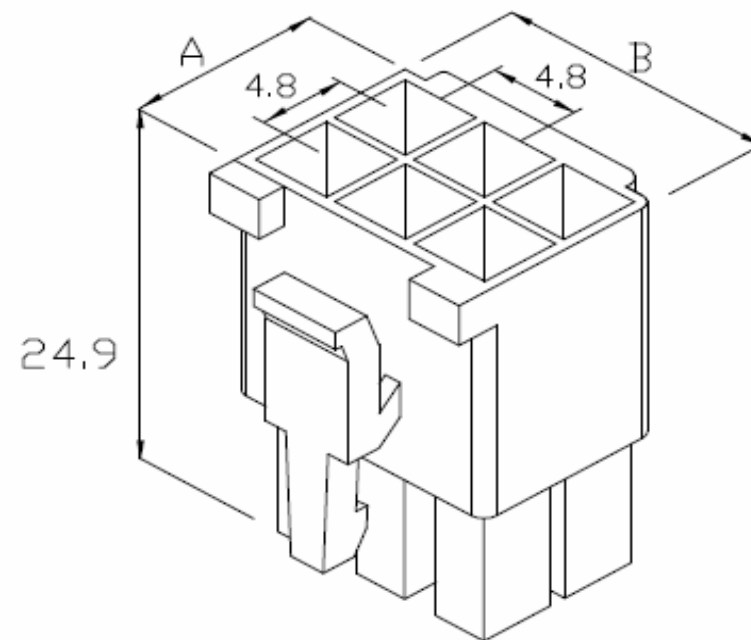
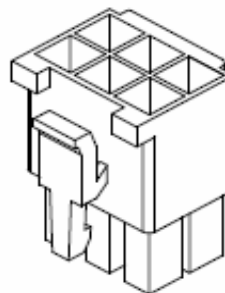
# EDCON-COMPONENTS



## Technical Discription

**Material:** Nylon 66 UL94 V-2  
**No. of Positions:** 2x3Pos.  
**Type of Housing:** Plug  
**Current Rating:** 4A AC/DC  
**Voltage Rating:** 250V AC/DC  
**Temperature Range:** -25°C ~ +85°C  
**Contact Resistance:** Initial Value/10mΩ max.  
**After environmental testing:** 20mΩ max.  
**Insulation Resistance:** 500MΩ min.  
**Withstanding Voltage:** 1500V AC/minute  
**Applicable Wire:** AWG18~22

## Drawing



Item-No.		Dimension (mm)	
		A	B
T70V012	2Pos.	7,2	12,0
T70V013	3Pos.	7,2	16,8
T70V014	4Pos.	7,2	21,6
T70V015	2x3Pos.	12,0	16,8
T70V016	3x3Pos.	16,8	16,8
T70V017	3x4Pos.	16,8	21,6
T70V018	3x5Pos.	16,8	26,4

<b>Wire to Wire Connector</b>	
<b>Pitch 4,80mm</b>	
Part No.:	<b>T70V015</b>
Customer:	

DRW:	Jason	CHKD	Wilson	MATL:	Wilson	TOLERANCE	Mason	DATE	30.10.2010
APPD:	Schumi			FINISH	Jamy		Sheet No.		1 from 2

# EDCON-COMPONENTS



## Ordering Informations

Serie	ROHS	Packing				
T70V015	R	BU				

R= ROHS Conform	BU= Bulk-Ware
N= NON ROHS Conform	

<b>Wire to Wire Connector Pitch 4,80mm</b>	
Part No.:	<b>T70V015</b>
Customer:	

DRW:	Jason	CHKD	Wilson	MATL:	Wilson	TOLERANCE	Mason	DATE	30.10.2010
APPD:	Schumi			FINISH	Jamy		Sheet No.		2 from 2