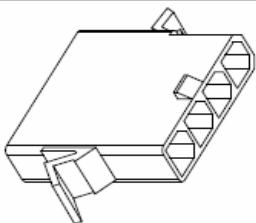


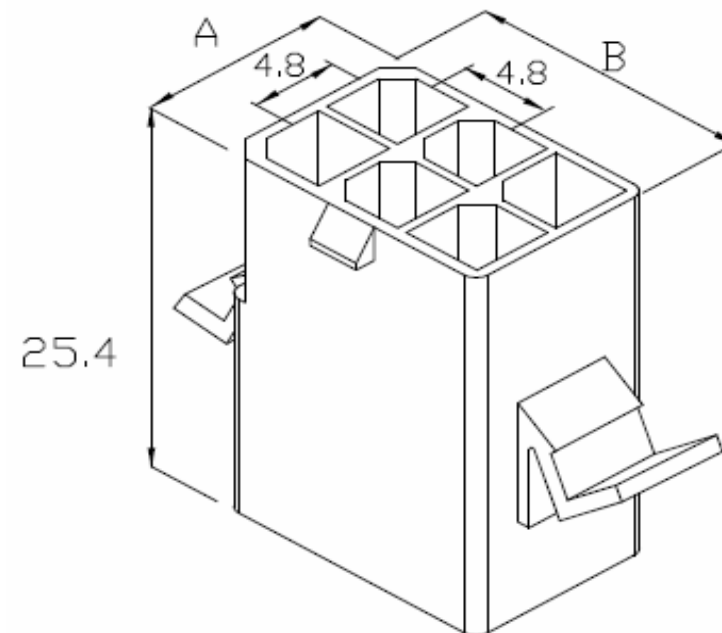
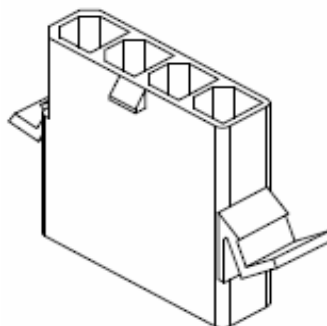
# EDCON-COMPONENTS



## Technical Discription

**Material:** Nylon 66 UL94 V-2  
**No. of Positions:** 1x4Pos.  
**Type of Housing:** Plug  
**Current Rating:** 4A AC/DC  
**Voltage Rating:** 250V AC/DC  
**Temperature Range:** -25°C ~ +85°C  
**Contact Resistance:** Initial Value/10mΩ max.  
**After environmental testing:** 20mΩ max.  
**Insulation Resistance:** 500MΩ min.  
**Withstanding Voltage:** 1500V AC/minute  
**Applicable Wire:** AWG18~22

## Drawing



Item-No.		Dimension (mm)	
		A	B
T70V003	2Pos.	7,2	12
T70V004	3Pos.	7,2	16,8
T70V005	4Pos.	7,2	21,6
T70V006	2x3Pos.	12,0	16,8
T70V007	3x3Pos.	16,8	16,8
T70V008	3x4Pos.	16,8	21,6
T70V009	3x5Pos.	16,8	26,4

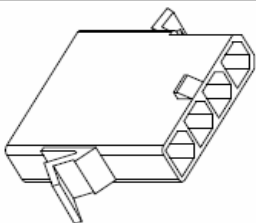
<b>Wire to Wire Connector Pitch 4,80mm</b>	
Part No.:	<b>T70V005</b>
Customer:	

DRW:	Jason	CHKD	Wilson	MATL:	Wilson	TOLERANCE	Mason	DATE	30.10.2010
APPD:	Schumi			FINISH	Jamy		Sheet No.		1 from 2

[www.edcon-components.com](http://www.edcon-components.com)

email: info@edcon-components.com

# EDCON-COMPONENTS



## Ordering Informations

Serie	ROHS	Packing				
T70V005	R	BU				

<b>R=</b> ROHS Conform	<b>BU=</b> Bulk-Ware
<b>N=</b> NON ROHS Conform	

<b>Wire to Wire Connector Pitch 4,80mm</b>	
Part No.:	<b>T70V005</b>
Customer:	

DRW:	Jason	CHKD	Wilson	MATL:	Wilson	TOLERANCE	Mason	DATE	30.10.2010
APPD:	Schumi			FINISH	Jamy			Sheet No.	2 from 2